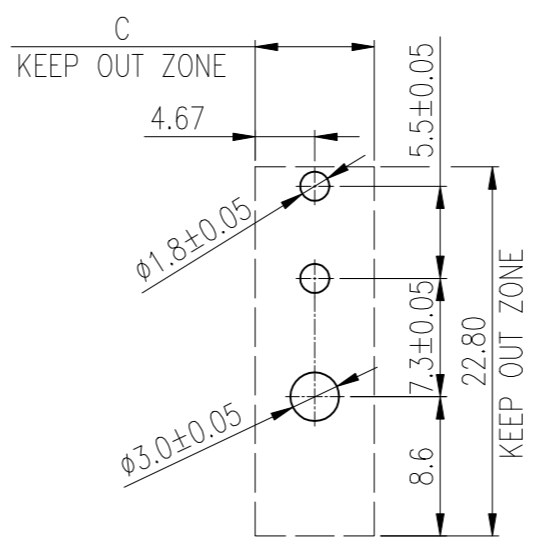
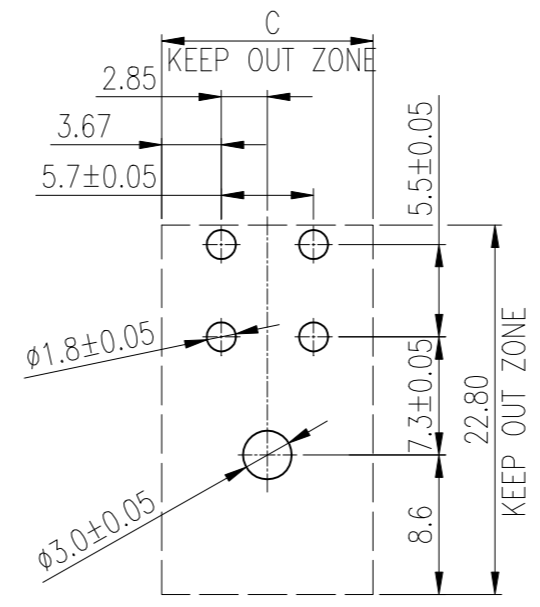


POS	DIM A	DIM B	DIM C
02	8.35	NA	9.35
04	12.05	NA	13.05
06	17.75	11.4	18.75
08	23.45	17.1	24.45
10	29.15	22.8	30.15
12	34.85	28.5	35.45



RECOMMENDED PCB LAYOUT FOR 2CKT
PCB THK=1.58~2.36mm



RECOMMENDED PCB LAYOUT FOR 4CKT
PCB THK=1.58~2.36mm

- NOTES:
- MATERIAL :
HOUSING : LCP,UL94V-0, HALOGEN FREE, GLOW WIRE COMPATIBLE.
CONTACT : HIGH CONDUCTIVITY COPPER ALLOY
 - PLATING :
CONTACT AREA : OPTIONAL, SEE PART NUMBER LOGIC
SOLDER AREA : 100 μ " MINIMUM MATTE TIN
UNDER LAYER : 50 μ " MINIMUM NICKEL
 - RoHS COMPLAINT
 - REFER APPLICATION SPECIFICATION GS-20-0687 FOR MATING CONNECTOR
 - PRODUCT SPECIFICATION : GS-12-1405.
 - PACKAGE SPECIFICATION : GS-14-2595.
 - APPLICATION SPECIFICATION : GS-20-0687.
 - THE HOUSING CAN WITHSTAND EXPOSURE TO 260°C PEAK TEMP FOR 10 SECONDS IN A REFLOW OVEN.
 - THE HOUSING CAN WITHSTAND EXPOSURE TO 260°C PEAK TEMP FOR 10 SECONDS IN A WAVE SOLDER.
 - THIS LF PRODUCT MEETS EUROPEAN UNION DIRECTIVES AND OTHER COUNTRY REGULATIONS AS DESCRIBED IN GS-47-0004.
 - PART NUMBER:

10146997-XX X X 0 X X LF

NO. OF POSITION :
02~12 POS.

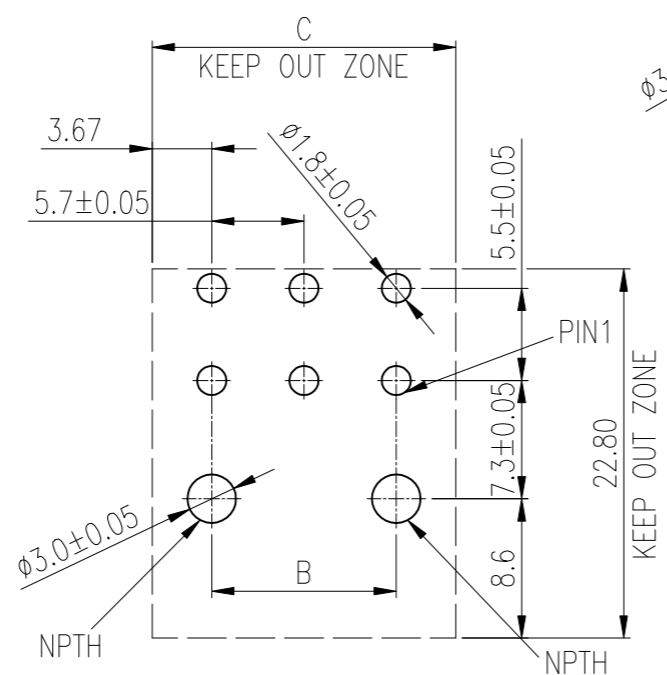
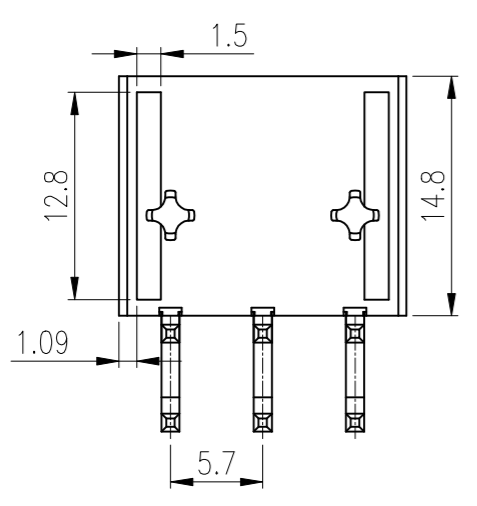
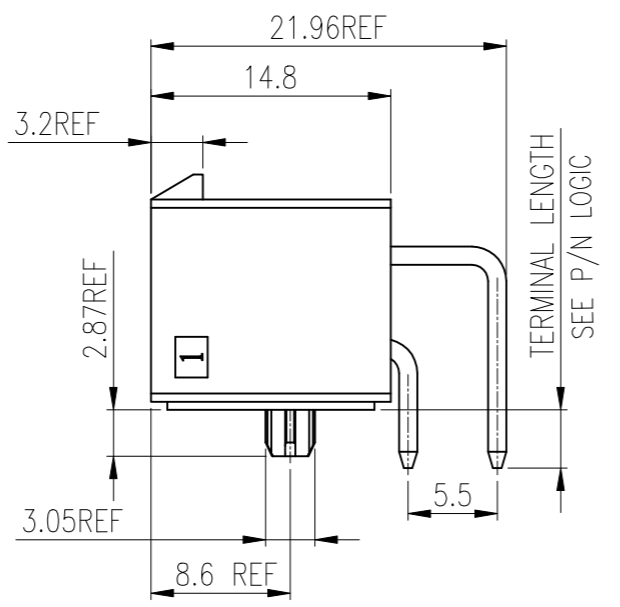
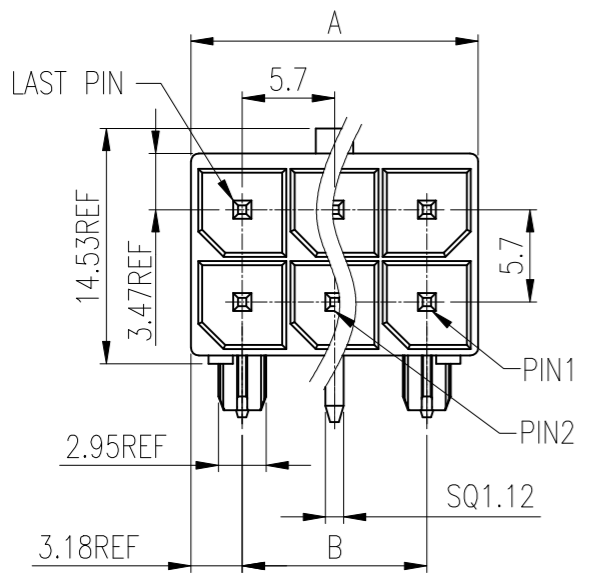
TERMINAL LENGTH :
BLANK:3.6 MM
A : 1.35 MM
B : 4.30 MM

PACKAGE :
O:TRAY
1:TAPE&REEL
Q:TAPE & REEL
(CUSTOMER SPECIAL)

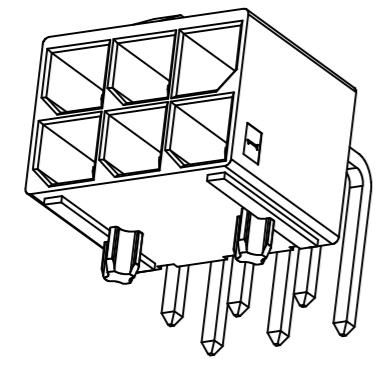
COLOR :
BLANK:BLACK
N:NATURAL

MATERIAL:LCP

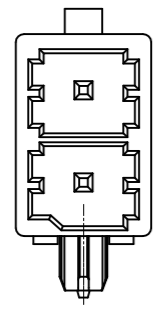
PLATING :
0: 30 μ " GOLD PLATING ON CONTACT AREA AND 100 μ " TIN PLATING ON SOLDER TAIL
1: 15 μ " GOLD PLATING ON CONTACT AREA AND 100 μ " TIN PLATING ON SOLDER TAIL
2: 100 μ " MATTE TIN PLATING OVER ALL



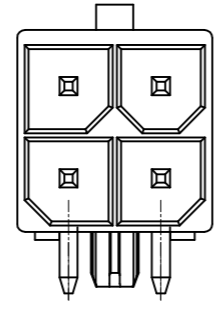
RECOMMENDED PCB LAYOUT
PCB THK=1.58~2.36mm



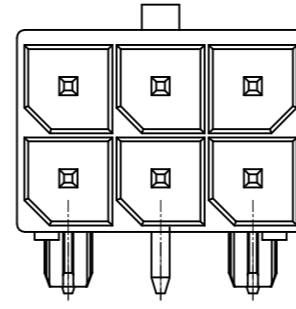
mat'l. code		surface	tolerance	projection	product family
		ISO 1302	ISO 406 ISO 1101		MINITEK POWER
ltr		tolerances unless otherwise specified			title
ecn no		angles linear			DUAL ROW RIGHT ANGLE HEADER
dr		0°±2'			MINITEK POWER 5.7
date		.000±.10			scale 2:1
TONY 2018-04-11		.00±.20			dwg no
ELX-N-30112 TONY 2018-05-07		.00±.30			sheet 1 of 2
ELX-I-45070 NITHIN 2022-06-20		mm			size
		Amphenol FCI			10146997
		A3			type
		Product Customer Drawing			
sheet index	revision sheet	C 1	C 2		



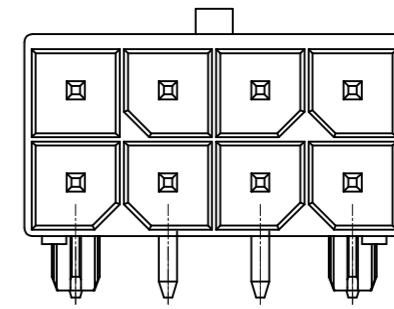
FOR 02P



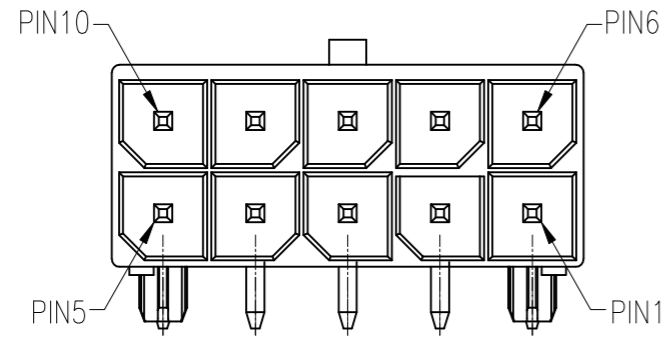
FOR 04P



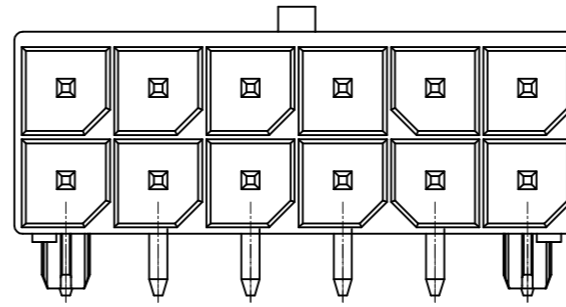
FOR 06P



FOR 08P



FOR 10P



FOR 12P



Amphenol
FCi

© 2016 AFci

mat'l. code		surface		tolerance		projection		product family	
		ISO 1302 ✓		ISO 406 ISO		101		MINITEK POWER	
ltr		ecn no		dr		date		title	
								DUAL ROW RIGHT ANGLE HEADER	
								MINITEK POWER 5.7	
								dwg no	
								sheet 2 of 2	
								size	
								A3	
								type	
								Product Customer Drawing	
sheet index		revision sheet		C C					
		1 2							