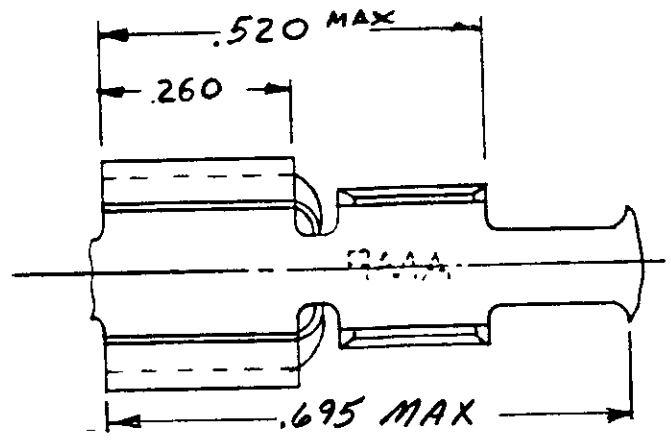


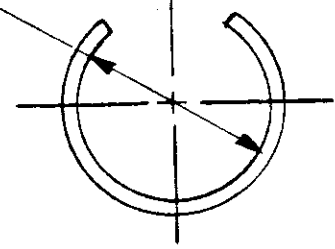
DRAWING MADE IN THIRD ANGLE PROJECTION

© COPYRIGHT 1977 BY AMP INCORPORATED, HARRISBURG, PA. ALL INTERNATIONAL RIGHTS RESERVED. NOT TO BE REPRODUCED OR PUBLISHED WITHOUT WRITTEN PERMISSION OF AMP INCORPORATED. PATENTS PENDING.

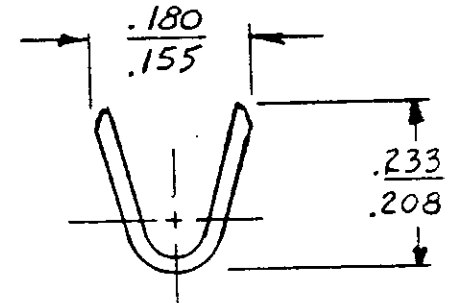
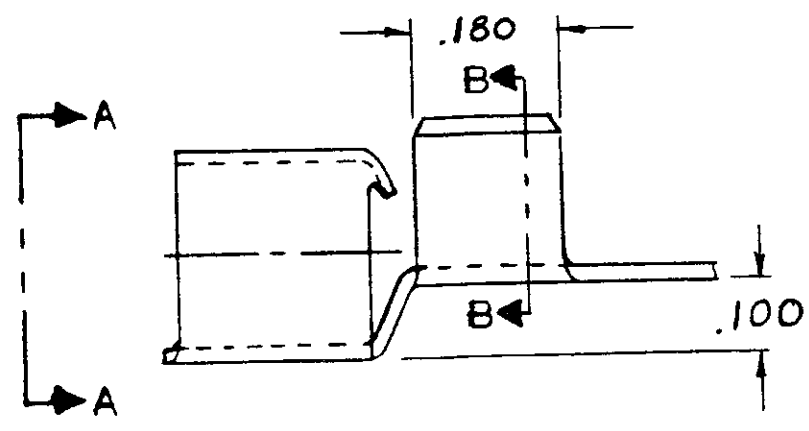
| REVISIONS | | | | | |
|----------------|-------------------------|--------|-----------|----------|---|
| LTR | DESCRIPTION | DATE | APPROVED | P/F | |
| C | DWG. RELEASED | M-4068 | 1-19-77 | EJW/d.H. | ✓ |
| A | RELEASED FOR PRODUCTION | M-4197 | 3-23-77 | J/A/d.H. | ✓ |
| B | .260 DIM. WAS .250 | M-4687 | 2-22-78 | CM/d.H. | ✓ |
| B ₁ | RESTORATION | | 10-8-85 | KS/ RM | |
| B ₂ | CHG DWG LOC CODE | | 4-28-87 | CM/RS | |
| C | REV PER DT10-0427-95 | | 26/SEP/95 | PMF/ | |



FITS ON $\frac{.253}{.247}$ DIA. PIN



VIEW A-A



SECTION B-B

| | |
|-----------|---------|
| 12 -10 | 62587-1 |
| WIRE SIZE | PART NO |

CONTINUOUS STRIP ON REELS

UNLESS OTHERWISE SPECIFIED DIMENSIONS ARE IN INCHES. TOLERANCES ON:
 DECIMALS ± .015
 ANGLES ± 1'00"

MATERIAL
 .020
 BRASS

FINISH
 TIN

| | |
|-------------|---------------------------|
| CONTRACT NO | |
| DR | <i>E.J. Weist 1-14-77</i> |
| CHK | <i>D.S. Heide 1/18/77</i> |
| APPD | |
| APPD | <i>E.J. Weist 1/18/77</i> |
| DSGN APPD | |
| OTHER APPD | |



| | | |
|-------------------------------|-------------------------------|----------------------------|
| NAME PIN RECEPTACLE | | |
| SIZE A | CODE IDENT NO 00779 | DRAWING NO 62587 |
| SCALE 1:1 | SHEET | |