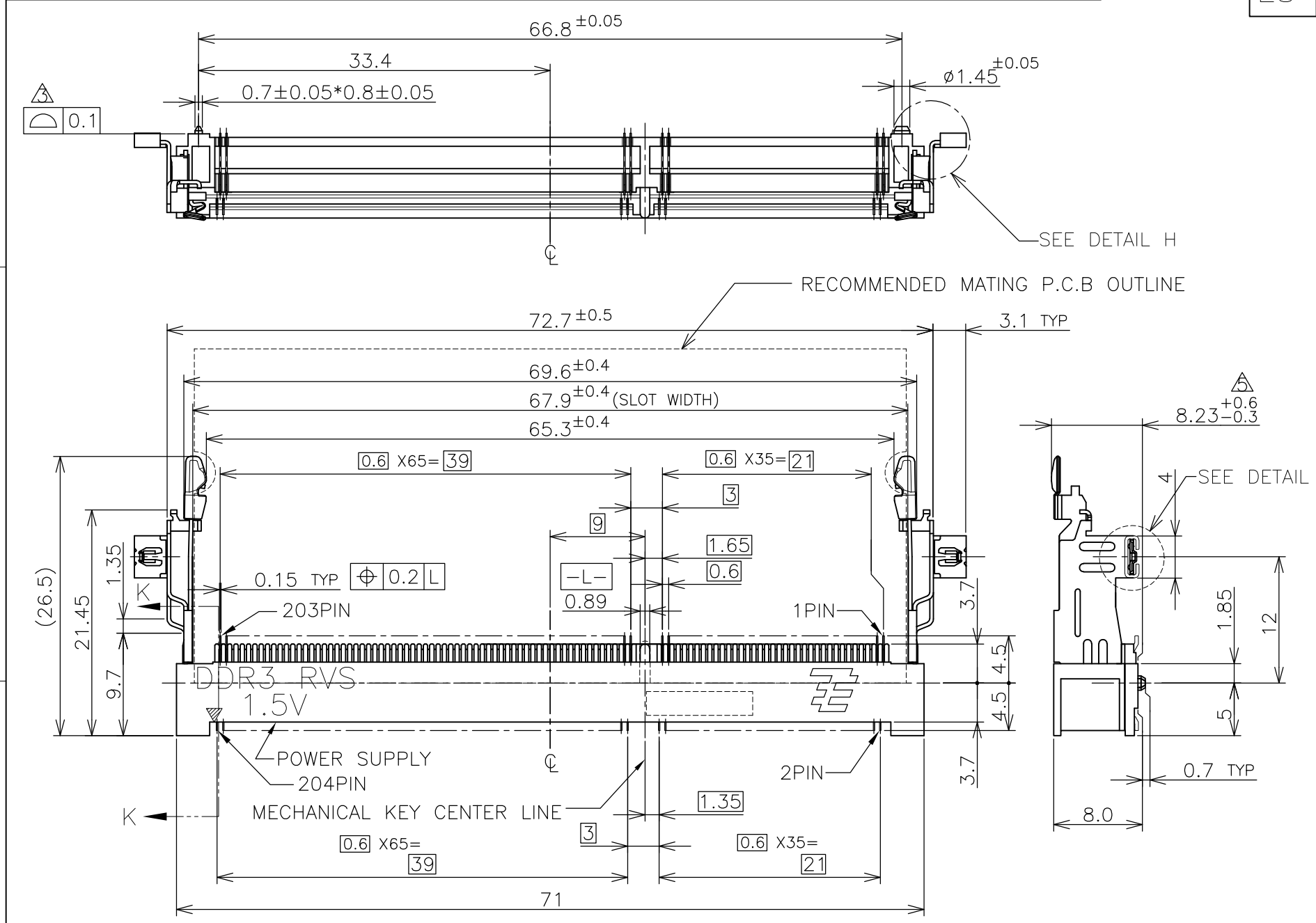
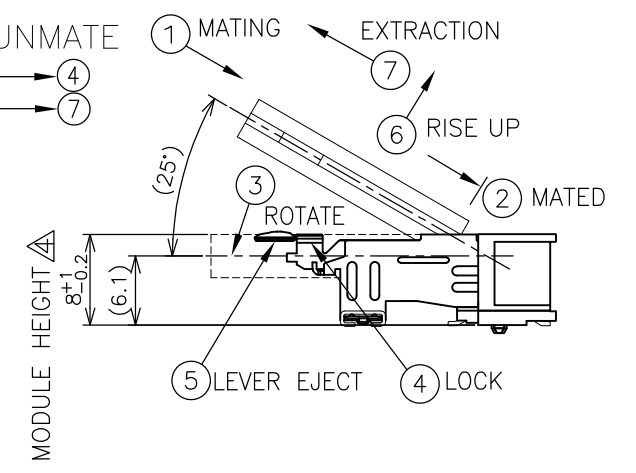


THIS DRAWING IS UNPUBLISHED. RELEASED FOR PUBLICATION SEP ,2007.
 © COPYRIGHT 2007 By - ALL RIGHTS RESERVED.

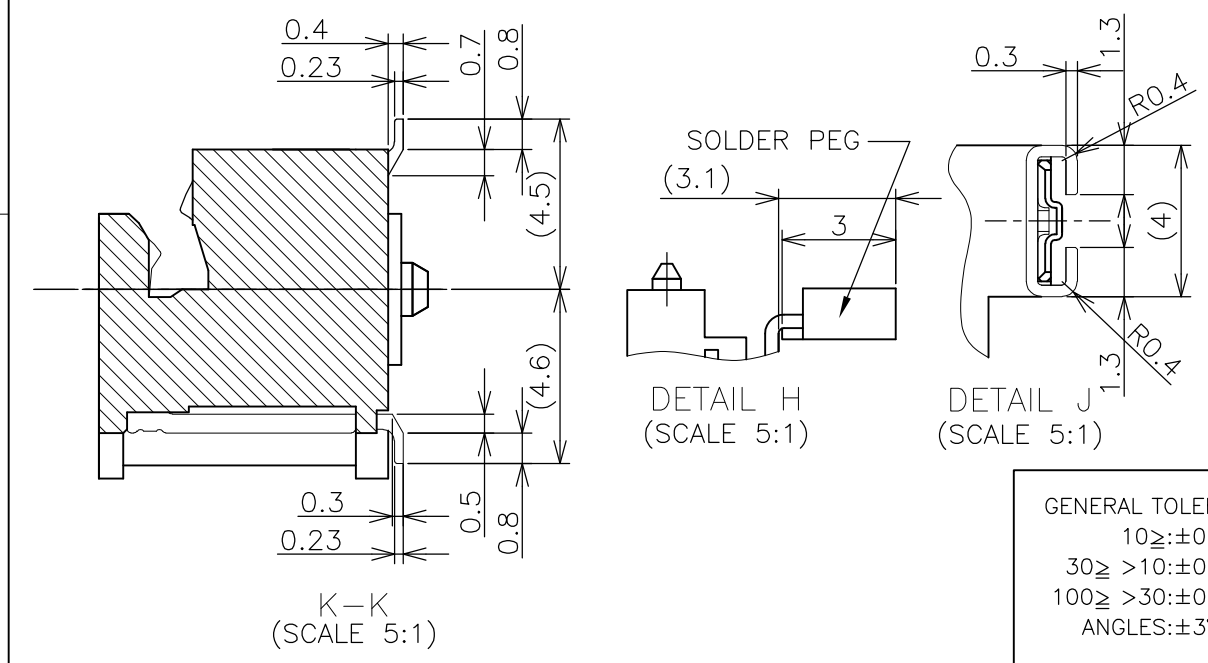
LOC	DIST	REVISIONS					
ES		P	LTR	DESCRIPTION	DATE	DWN	APVD
			B	REVISED PER ECR-12-004002	01MAR2012	W.W	C.W



HOW TO MATE AND UNMATE
 MATE: ① → ④
 UNMATE: ⑤ → ⑦



(APPLIED TO SHEET 1-2)
 1. MATERIAL ; HOUSING: HIGH TEMPERATURE THERMO PLASTIC UL94V-0
 COLOR: SEE TABLE
 CONTACT: COPPER ARROY
 LOCK LEVER: STAINLESS STEEL
 PEG: COPPER ARROY
 2-1. FINISH ; CONTACT AREA: 0.00005MIN GOLD
 ALL OVER NICKEL.
 SOLDERING AREA: GOLD FLASH PLATING
 PEG: TIN PLATING.
 2-2. FINISH ; CONTACT AREA: 0.000254MIN GOLD
 ALL OVER NICKEL.
 SOLDERING AREA: GOLD FLASH PLATING
 PEG: TIN PLATING.
 △ COPLANARITY: 0.1 MAX. (BEFORE SOLDERING)
 △ THE FLOATING VALUE BY SOLDERING IS NOT INCLUDED.
 △ NOT MATING CONDITION.
 6. IF THE MODULE DOESN'T INSERT AND LOCK IN THE LATCH SMOOTHLY,
 OPEN WIDE BOTH LATCHES BY MANUAL. AND THE MODULE MUST BE
 INSERTED AND LOCKED IN THE LATCH.



AVAILABLE	EMBOSS(SEE SHEET 4)	WITHBOSS	BLACK	NOTE 2-2	1.5V	204	2-1932323-2
AVAILABLE	EMBOSS(SEE SHEET 4)	WITHBOSS	BLACK	NOTE 2-1	1.5V	204	2-1932323-1
TOOLING STATUS	PACKAGING TYPE	REMARK	HOUSING COLOR	FINISH	POWER SUPPLY	POS	PART NO.
THIS DRAWING IS A CONTROLLED DOCUMENT.				DWN	06AUG2009		
				C.KEVIN			
				CHK	10AUG2009		
				W.COREL			
				APVD	10AUG2009		
				Y.STEVEN			
				PRODUCT SPEC	NAME		
				108-78493	DDR3 SODIMM SOCKET		
				APPLICATION SPEC	0.6mm PITCH 204POS		
				WEIGHT	8.0mm HEIGHT REVERSE TYPE		
				CUSTOMER DRAWING	SIZE	CAGE CODE	DRAWING NO
					A3	00779	C-1932323
				SCALE	SHEET		REV
				2:1	1 OF 4		B

THIS DRAWING IS UNPUBLISHED.

RELEASED FOR PUBLICATION

SEP , 2007.

© COPYRIGHT 2007 By -

ALL RIGHTS RESERVED.

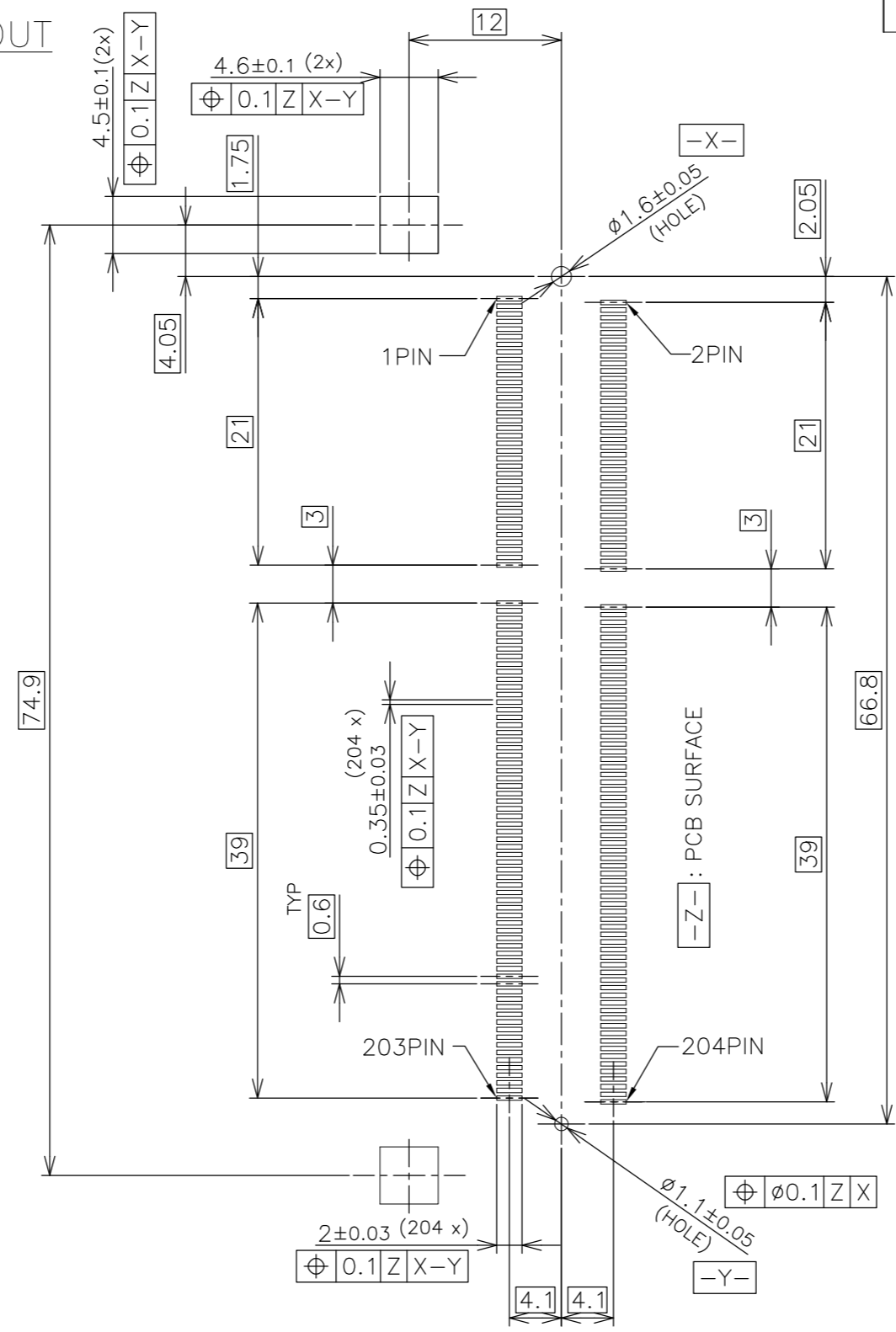
LOC
ES

DIST
/


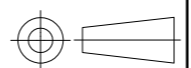
REVISIONS

P	LTR	DESCRIPTION	DATE	DWN	APVD
-	-	SEE SHEET 1	-	-	-

REFERENCE P.C.BOARD PATTERN LAYOUT (CONNECTOR MOUNTING SIDE)

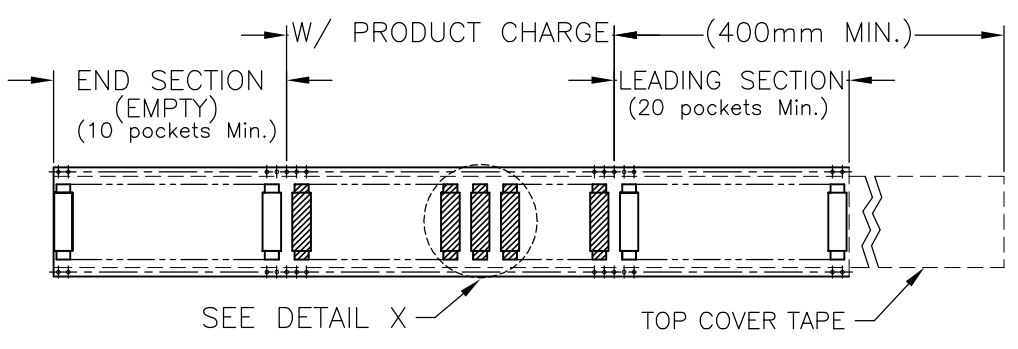
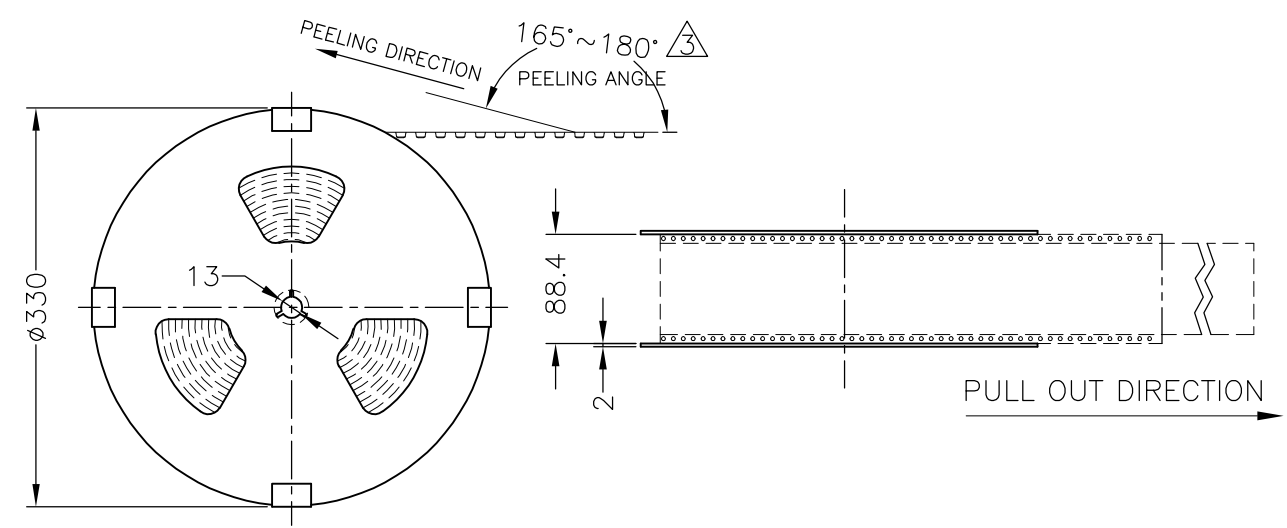


RVS TYPE

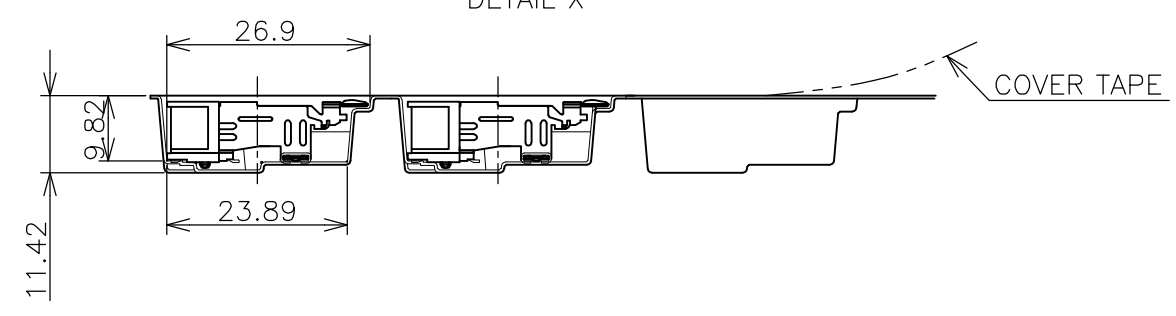
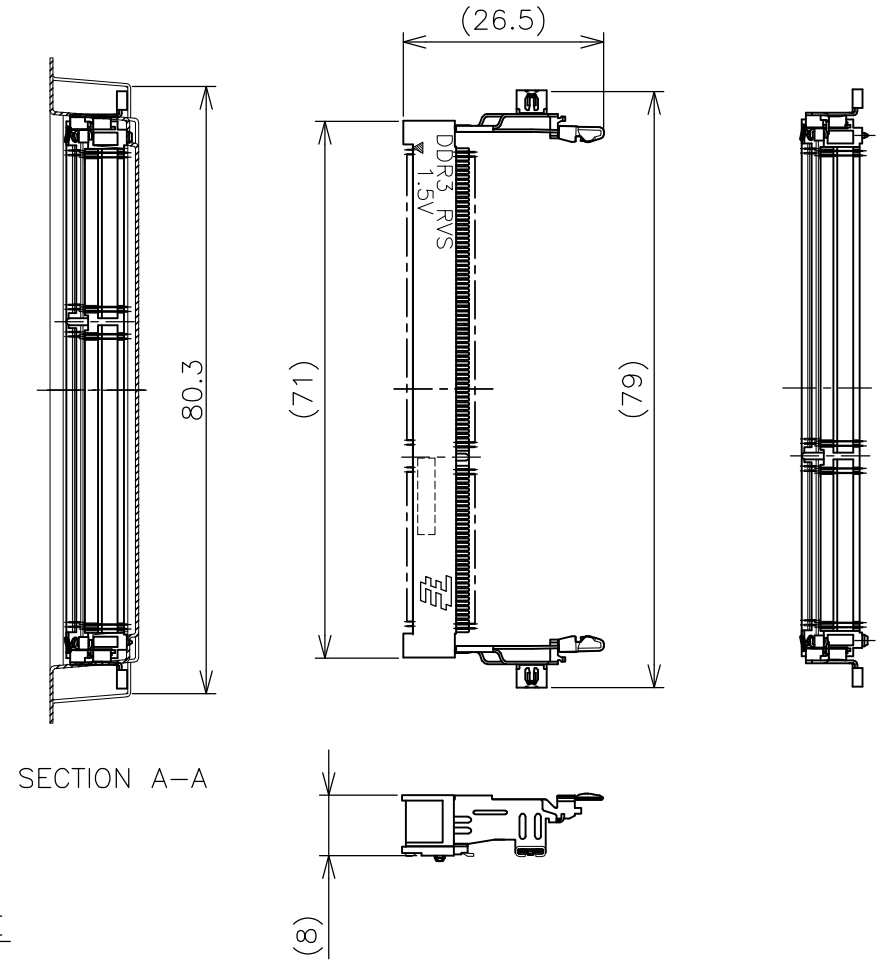
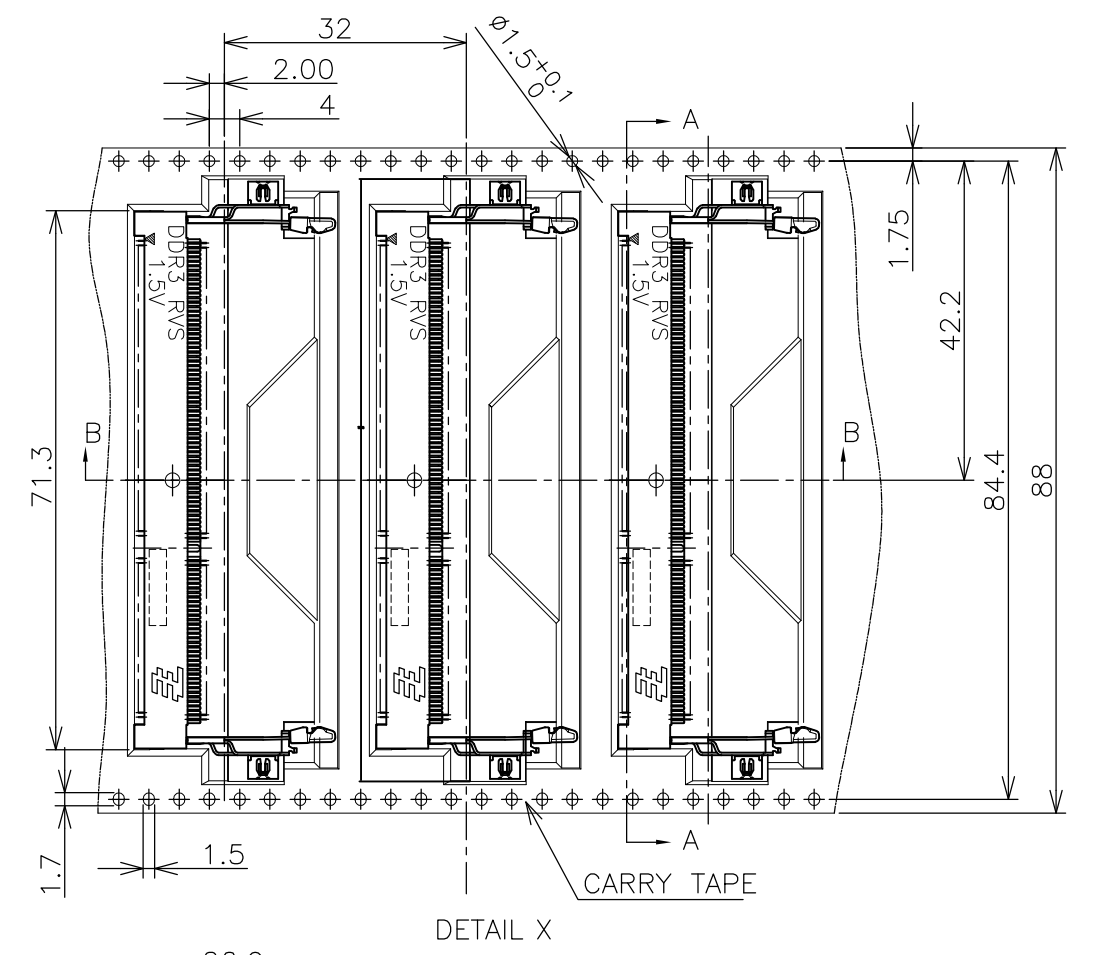
THIS DRAWING IS A CONTROLLED DOCUMENT.		DWN	 TE Connectivity					
DIMENSIONS: MM		CHK				NAME		
		APVD				DDR3 SODIMM SOCKET 0.6mm PITCH 204POS 8.0mm HEIGHT REVERSE TYPE		
TOLERANCES UNLESS OTHERWISE SPECIFIED:		PRODUCT SPEC				SIZE	CAGE CODE	DRAWING NO
0 PLC ± 1 PLC ± 2 PLC ± 3 PLC ± 4 PLC ± ANGLES ±		APPLICATION SPEC	A3 00779 C-1932323		-			
MATERIAL		WEIGHT	CUSTOMER DRAWING			SCALE 2:1	SHEET 2 OF 4	REV B

THIS DRAWING IS UNPUBLISHED. RELEASED FOR PUBLICATION SEP ,2007.
 © COPYRIGHT 2007 By - ALL RIGHTS RESERVED.

LOC		DIST		REVISIONS					
ES				P	LTR	DESCRIPTION	DATE	DWN	APVD
				-	-	SEE SHEET 1	-	-	-



- (APPLIED TO SHEET 4)
1. THE DIRECTION OF EACH CONNECTOR ON A EMBOSS IS REFERRED TO THIS DRAWING.
 2. GENERAL TOLERANCE: ± 0.5 , $\pm 3^\circ$
 3. THE MATERIAL OF REEL PALLET: PLASTIC/PAPER.



150EA	2-1932323-2
150EA	2-1932323-1
QTY/REEL	PART NO.

THIS DRAWING IS A CONTROLLED DOCUMENT.		DWN		TE Connectivity							
DIMENSIONS: MM		CHK						NAME			
TOLERANCES UNLESS OTHERWISE SPECIFIED:		APVD		DDR3 SODIMM SOCKET 0.6mm PITCH 204POS 8.0mm HEIGHT REVERSE TYPE							
0 PLC ± 0.5 1 PLC ± 0.5 2 PLC ± 0.5 3 PLC ± 0.5 4 PLC ± 0.5 ANGLES $\pm 3^\circ$		PRODUCT SPEC		SIZE		CAGE CODE		DRAWING NO		RESTRICTED TO	
MATERIAL		FINISH		APPLICATION SPEC		A300779		C-1932323		-	
CUSTOMER DRAWING				WEIGHT		SCALE 1:2		SHEET 4 OF 4		REV B	