



IEC Inlet Filters / Power Entry Modules IL19

Power cord with Locking System



Approvals



- No accidental disconnection
- Fits any Schaffner IEC C20 inlet filter
- Retrofit for any electronic equipment with IEC C20 inlet
- Various power line plugs for international usage
- Locking systems for standardized IEC C20 inlet
- Rated current up to 16A (C19 plug)

Technical specifications

Cable:	2 m; 3 x 1.50 mm ² ; H05 VV-F; 6 ft; 3 x AWG14 SJT; black; other lengths or colors on request
Connector (line side):	C20 according to IEC/EN 60320-2-2; EU Schuko plug CEE7/VII angled; UK plug BS1363 angled; US plug NEMA5-15 straight; other plugs on request
Connector (load side):	IEC C19 according to IEC/EN 60320-2-2 with IEC lock, UL 498, CSA C22.2 no. 42 (for cold conditions) pin temperature 70 °C, 16 A, Protection Class I
Datasheet Image:	IL_19_Weiss_1_2.jpg
Flammability corresponding to:	Plugs: UL94V-2 or better; Cable: IEC 60332-1 Cat. F2
High potential test voltage :	P → PE 2000 VAC (1 min 50 Hz) P → N 2000 VAC (1 min 50 Hz)
Maximum continuous operating voltage :	250VAC, 50/60Hz
Operating frequency:	50 to 400 Hz
Protection category :	IP20 according IEC 60529
Rated currents :	16A (IEC)
Temperature range (operation and storage) :	-25 °C to +70 °C

The locking system has a tensile force of typical 200N. It is recommended to use it with flange mount filters. For details refer to our Application Note [„Using IEC Lock Power Cords with IEC Inlets and Filters“](#)

Features and benefits

Schaffner cables with ICE lock guard against accidental disconnection of all electrical appliances with an IEC C20 inlet.

No exchange of the IEC inlet or IEC inlet filter system is needed.

Easy retrofit for all electronic equipment and devices.

- Power cord with locking system for IEC inlets
- Suitable for use with any C20 IEC inlet
- Fits the complete Schaffner IEC inlet filter program with C20 IEC inlet
- Max. pin temperature 70 °C

Typical applications

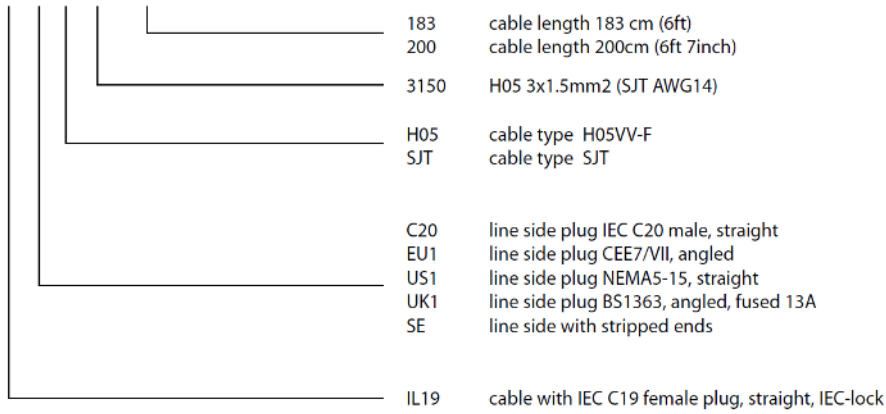
- Data centers
- Industrial equipment
- Medical devices
- In-vitro-devices
- Broadcast stations
- Mobile applications

Cable selection table

IL19-C20-H05-3150-200	IEC cable assembly with locking system for IEC C20 inlet, IEC version
IL19-EU1-H05-3150-200	IEC cable assembly with locking system for IEC C20 inlet, EU version
IL19-US1-SJT-3150-183	IEC cable assembly with locking system for IEC C20 inlet, USA version
IL19-UK1-H05-3150-200	IEC cable assembly with locking system for IEC C20 inlet, UK version
IL19-SE-H05-3150-200	IEC cable assembly with locking system for IEC C20 inlet, stripped ends

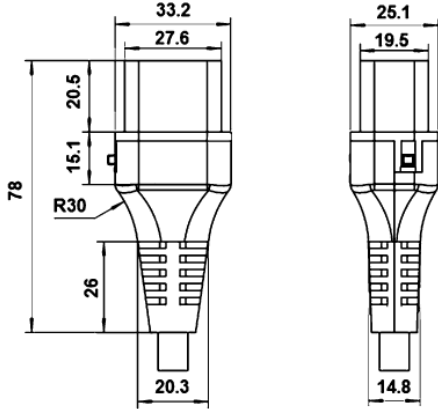
Product selector:

ILxx-yyy-zzz-aaaa-bbb

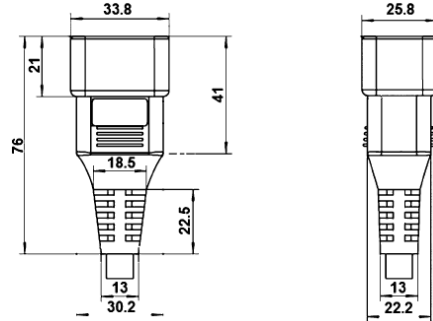


Mechanical data

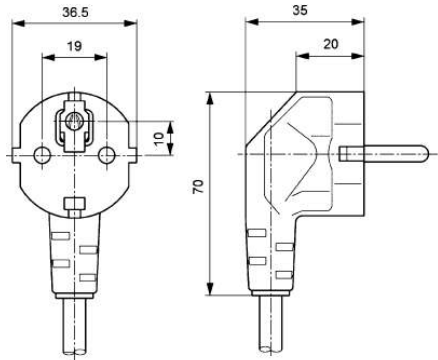
ICE Lock C19



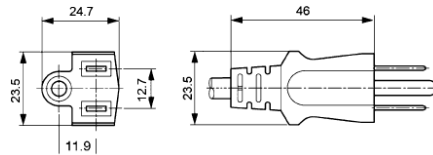
C20



CEE7/VII



NEMA5-15



Your local partner: To find your local partner within Schaffner's global network, please go to www.schaffner.com

**Headquarters, global innovation
and development center**

Schaffner Group

Nordstrasse 11
4542 Luterbach
Schweiz
T +41 32 681 66 26
F +41 32 681 66 30
[info\(at\)schaffner.com](mailto:info(at)schaffner.com)
www.schaffner.com

To find your local partner within
Schaffner's global network, please go
to www.schaffner.com

© 2012 Schaffner Group
Specifications are subject to change
within notice. The latest version of the
data sheets can be obtained from the
website. All trademarks recognized.

Schaffner is an ISO-registered
company.

Its products are designed and
manufactured under the strict quality
and environmental requirements of
the ISO 9001 and ISO 14001
standards.

This document has been carefully
checked. However, Schaffner does not
assume any liability for errors or
inaccuracies.

Sales and application centers

China

Schaffner EMC Ltd. Shanghai
T20-3, No 565 Chuangye Road
Pudong New Area
Shanghai 201201
T +86 21 3813 9500
F +86 21 3813 9501 / 02
cschina@schaffner.com
<http://www.schaffner.com.cn/>

Finland

Schaffner Oy
Sauvonrinne 19 H
Lohja 08500
T +358 19 35 72 71
finlandsales@schaffner.com

France

Schaffner EMC S.A.S.
112, Quai de Bezons, Boîte postale 133
Argenteuil 95103
T +33 1 34 34 30 60
F +33 1 39 47 02 28
francesales@schaffner.com

Germany

Schaffner Deutschland GmbH
Westring 18
Büren 33142
T +49 2951 60 01 0
F +49 2951 60 01 23
buerensales@schaffner.com

Italy

Schaffner EMC S.r.l.
Via Galileo Galilei 47
Cinisello Balsamo (MI) 20092
T +39 02 66 04 30 45/47
F +39 02 61 23 943
italysales@schaffner.com

Japan

Schaffner EMC K.K.
1-32-12, Kamiyama, Setagaya-ku
Mitsui-Seimei Sangenjaya Bldg. 7F
Tokyo 154-0011
T +81 3 5712 3650
F +81 3 5712 3651
japansales@schaffner.com
<http://www.schaffner.jp>

Singapore

Schaffner EMC Pte Ltd.
Blk 3015A Ubi Road 1 05-09 Kampong Ubi
Industrial Estate
Singapore 408705
T +65 6377 3283
F +65 6377 3281
singaporesales@schaffner.com

Spain

Schaffner EMC España
Miniparc III, Edificio E
Madrid 28109
T +34 618 176 133
spainsales@schaffner.com

Sweden

Schaffner EMC AB
Turebergstorg 1, 6
Sollentuna 19147
T +46 8 5792 1121 / 22
F +46 8 92 96 90
swedensales@schaffner.com

Switzerland

Schaffner EMV AG
Nordstrasse 11
Luterbach 4542
T +41 32 6816 626
F +41 32 6816 641
sales@schaffner.ch

Taiwan R.O.C.

Schaffner EMV Ltd.
6F. No. 413 Rui Guang Road
Neihu District Taipei City 114
T +886 2 87525050
F +886 2 87518086
taiwansales@schaffner.com

Thailand

Schaffner EMC Co. Ltd.
Amphur Muang P.O. Box 14
Northern Region Industrial Estate 67 Moo 4
Tambon Ban Klang
Lamphun 51000
T +66 53 58 11 04
F +66 53 58 10 19
thailandsales@schaffner.com

UK

Schaffner Ltd.
Molly Millars Lane Wokingham
Berkshire RG41 2PL
T +44 118 9770070
F +44 118 9792969
uksales@schaffner.com
<http://www.schaffner.uk.com>

USA

Schaffner EMC Inc.
52 Mayfield Avenue
Edison 08837
T 1-800-367-5566
T 732-225-9533
F 732-225-4789
usasales@schaffner.com
<http://www.schaffner.com/us>