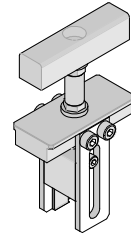


**Ten60™ Vertical
Signal Receptacle
Removal Tool**



**Application Tooling
Specification Sheet**



Order No. 62100-7850

FEATURES

- Used in the removal of the Ten60™ Vertical Signal Module from a PCB
- Removes connector from the PCB without damage to the board
- Use 62100-7700 tool for removing the Ten60™ Vertical Power Module

SCOPE

Products: Ten60™ and Ten50™ Vertical Signal Receptacles, 46637 series. See Product List below for specific application tools.

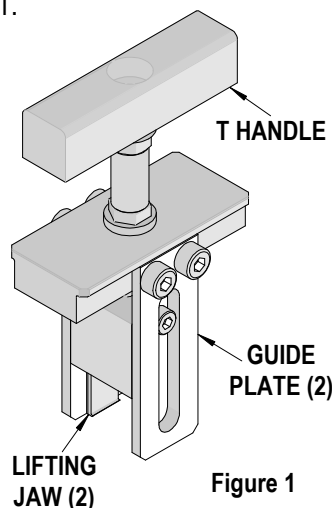
Product List

The following is a partial list of the product order numbers and their specifications this tool is designed to run. Updates to this list are available on www.molex.com.

Series No.	Order No.		
46637	46637-1032	46637-3024	46637-3032

DESCRIPTION

The tool is used for removal of the Ten60™ Vertical Signal Receptacle from a PCB. The principal parts of the terminal removal tool are shown in Figure 1.



Operation

Note: Be sure that all parts of the removal tool will clear any components on the printed circuit board during use. Tape may also be placed over circuit traces or on the bottom of the PC board Support Plate for added protection of the printed circuit board.

1. Turn the T Handle counter-clockwise (CCW) until the lifting jaws are exposed below the guide plates. See Figure 2A. (The screw will become disengaged from the lifting jaw block.)
2. Slide the lifting jaws down over the connector until the lifting jaws snap into the slots at the base of the connector. See Figure 2B.

Note: The lifting jaws must snap into the slots of the connector so it can be lifted off the printed circuit board.

3. Lower the tool until the bottom of the guide plates contact the board surface.
4. Turn the T handle clockwise (CW) until the connector is removed from the PCB. See Figure 3.

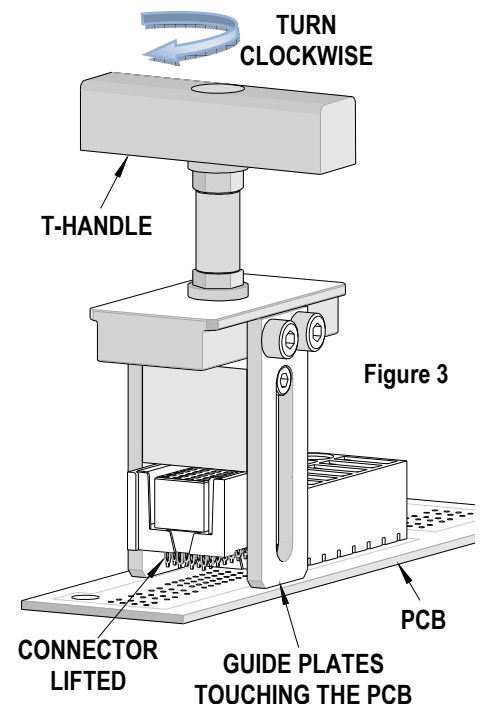
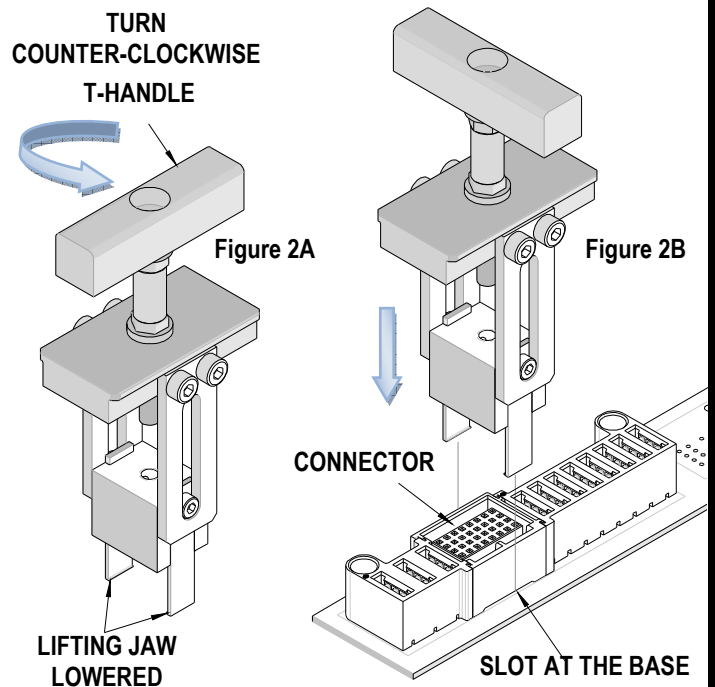
Note: After removing the connector from the PCB, some terminals may remain in the board. This is not a tooling malfunction. A pair of needle nose pliers may be used to individually remove the terminals. Caution is required when using this method; if a terminal is incorrectly gripped or pulled away at an angle, it could break off inside the PCB hole. After terminals are pulled out of the PCB, they should be discarded. The PCB should be free of any contact debris.

5. With the removal tool away from the PCB, take the connector out of the tool by turning the T handle counterclockwise until the lifting jaws are exposed. Pull the connector up slightly and slide it out of the side of the tool.

Maintenance

It is recommended that each operator of the tool be made aware of, and responsible for, the following maintenance steps:

1. Remove dust, moisture, and other contaminants with a clean brush, or soft, lint free cloth.
2. Do not use any abrasive materials that could damage the tool.
3. Make certain all pins; pivot points and bearing surfaces are protected with a thin coat of high quality machine oil. Do not oil excessively.
4. When tool is not in use, store in a clean, dry area.

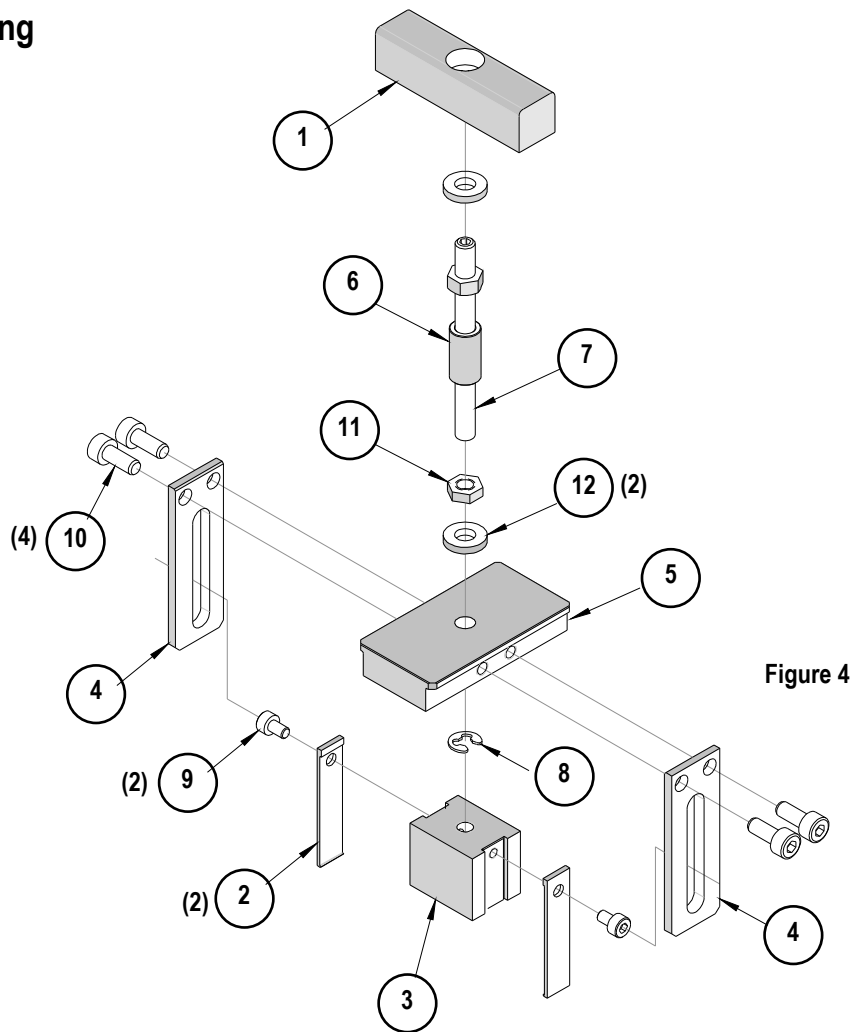


Parts List

Item	Order No	Description	Quantity
	62100-7850	Removal Tool for Ten60™ Vertical Signal Modules	Figure 4
1	62100-6204	T Handle	1
2	62100-7802	Lifting Finger	2
3	62100-7851	Lifting Block	1
4	62100-7853	Side Plate Guide	2
5	62100-7855	Top Plate	1
6	63600-1959	Collar	1
7	63600-1960	Stop Screw	1
8	63700-4553	E-Ring, 0.187" Shaft	1
Hardware			
9	N/A	M3 by 5 Long SHCS	2**
10	N/A	M4 by 10 Long SHCS	4**
11	N/A	M5 by 0.8 Jam Nut	1**
12	N/A	M5 Flat Washer	2**

** Available from an industrial supply company such as MSC (1-800-645-7270).

Assembly Drawing



Visit our Web site at <http://www.molex.com>