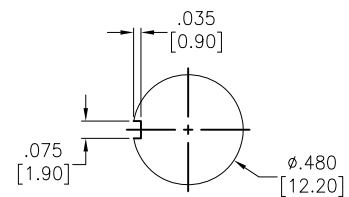
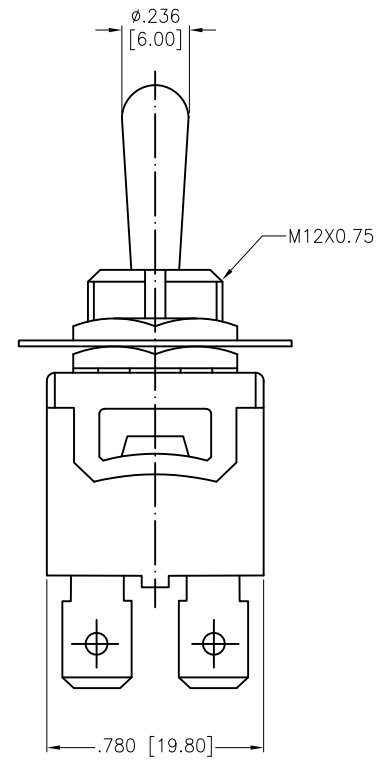
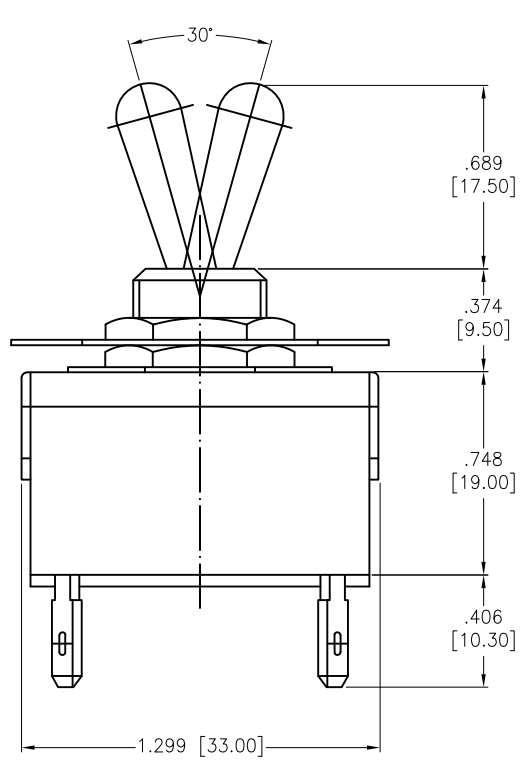
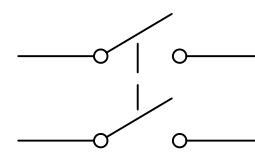


Rev	AWO #	Description	Date	Appr
-		RELEASED	8/10/21	

APPROVED: _____
 DATE: _____ TITLE: _____



RECOMMENDED
 PANEL CUT-OUT



CIRCUIT DIAGRAM
 (DPST)

SW-T1-3X-E-K2
 A=ON-OFF
 C=OFF-(ON)

SPECIFICATIONS:

Material:
 Body: Bakelite, Color: Black
 Lever: Brass, Nickel plated
 Terminal: Brass, Silver plated
 Electrical:
 Rating: 10A @ 250V AC
 15A @ 125V AC
 Contact resistance: 50 mΩ max
 Insulation resistance: 1000 MΩ min (500VDC)
 Dielectric withstanding voltage: 1500V AC for 1 minute
 Electrical Life: 10,000 cycles
 Temperature Rating:
 Operating temperature: -25°C to +85°C
 Environmental:
 Lead free, RoHS compliant



UNLESS OTHERWISE SPECIFIED ALL DIMENSIONS ARE INCHES [MM]. TOLERANCES: EXCEPT AS NOTED

INCHES		HOLES	
.x	± .10	∅x	± .10
.xx	± .020	∅xx	± .015
.xxx	± .015	∅xxx	± .010

ADAM TECH 909 Rahway Avenue,
 Union, NJ 07083
 Phone: 908-687-5000
 Fax: 908-687-5710

DRAWN	WX	8/10/21
CHECKED	RC	8/10/21
APPROVED		

TITLE SWITCH, TOGGLE MEDIUM, DPST,
 ON-OFF, OFF-(ON), PC TERMINAL .250" [6.35MM]

THIS DRAWING CONTAINS INFORMATION THAT IS PROPRIETARY AND SHOULD NOT BE USED WITHOUT PRIOR WRITTEN PERMISSION FROM ADAM TECH

SIZE X	PART NO. SW-T1-3X-B-K2	REV. -
REF: S00204C	SCALE: NTS	SHEET 1 OF 1