

NOTES:

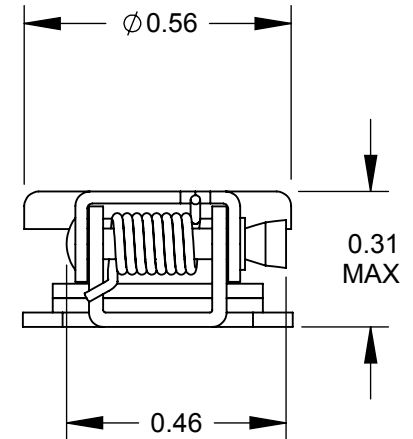
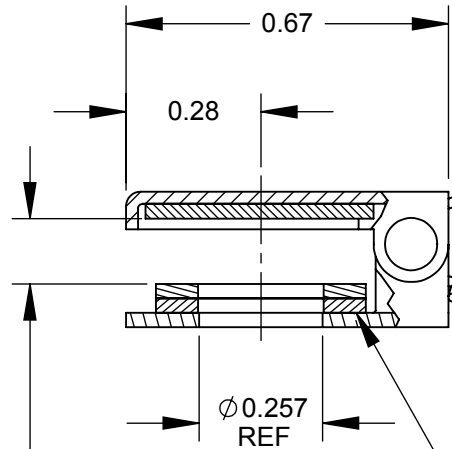
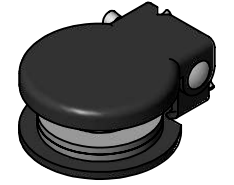
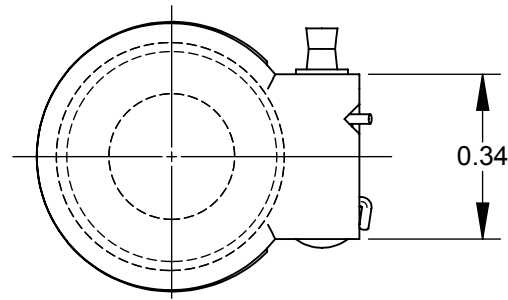
1. MATERIALS:

**G** COVER & BASE - STEEL  
 FINISH - POLYESTER POWDER COAT,  
 SEMI-GLOSS NAVY GRAY

GASKET - SYNTHETIC RUBBER  
 TORSION SPRING - STAINLESS STEEL  
 AXLE - STAINLESS STEEL  
 AXLE WASHER - BRASS  
 ACCESSORY WASHERS - STEEL, CADMIUM PLATED

**F** 2. TWO ACCESSORY WASHERS SHIPPED UNASSEMBLED

0.13 HIGH HEAD, USE 2 WASHERS.  
 0.16 HIGH HEAD, USE 1 WASHER.  
 0.19 HIGH HEAD, USE NO WASHERS.



**F** SEE NOTE 2

ACCESSORY  
 WASHERS  
 SEE NOTE 2

**CUSTOMER DRAWING**

THIS DRAWING DESCRIBES A DESIGN CONSIDERED PROPRIETARY IN NATURE, DEVELOPED AND MANUFACTURED BY SWITCHCRAFT INC. AND IS RELEASED ON A CONFIDENTIAL BASIS FOR IDENTIFICATION PURPOSES ONLY.

					UNLESS OTHERWISE SPECIFIED  1. ALL DIMENSIONS IN INCHES - TWO PLACE DECIMALS $\pm 0.02$ - THREE PLACE DECIMALS $\pm 0.005$	SIZE	WIDTH	MULT	LBS/M	TEMPER		
						FINISH	MATERIAL					
						SPEC No.	SPEC No.					
						FIRST USED ON	SCALE 2.5:1					
						DATE DRAWN 4-22-64	BY IRT	CHKD CJW 04-22-64	APVD LG 4-23-64			
G	28160	4/12/19	TJK	TJK	DO NOT SCALE DRAWING	Switchcraft®				SHEET 1 OF 1		
F	26575	07-23-10	JEB	TJK						REV G		
REV	ECO NUMBER	DATE	BY	APVD		NAME	TIP JAX COVER ASSEMBLY, NAVY GRAY				PART No.	620
REVISIONS												

