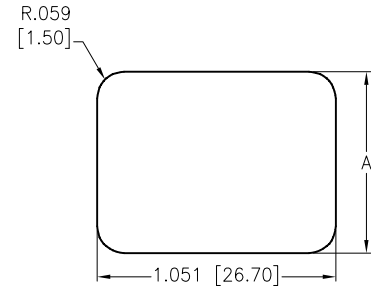
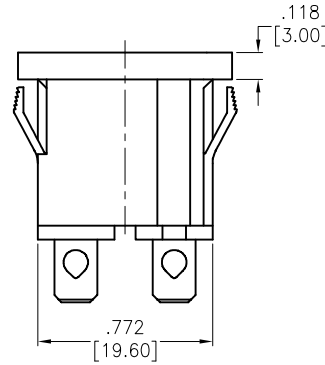
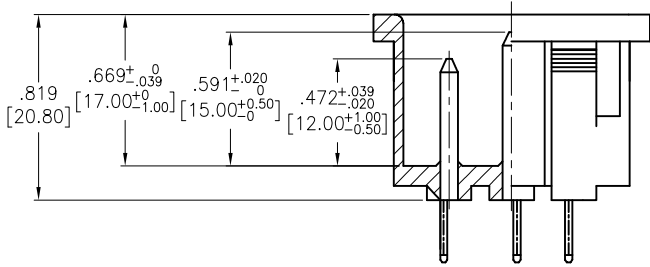
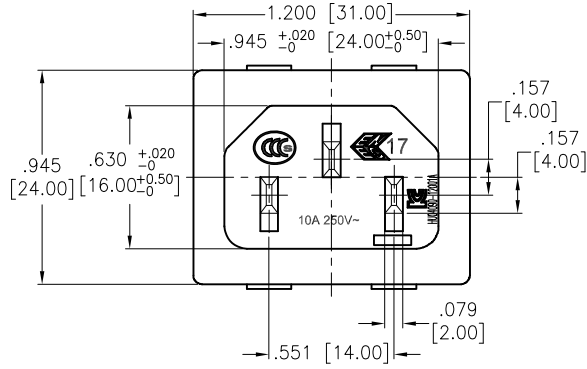


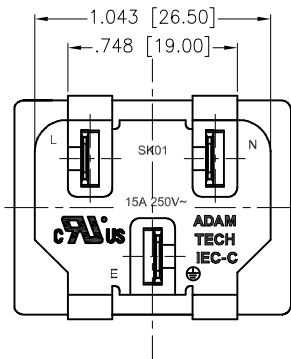
APPROVED: _____
 DATE: _____ TITLE: _____

Rev	AWO #	Description	Date	Appr
-		RELEASED	6/16/05	
A		REDRAWN	01/23/13	
B		REVISED DIM.	03/27/13	
C		REVISED SHAPE	9/6/13	AY



PANEL THICKNESS	DIMENSIONS	
	A	
.031-.047 [0.80-1.20]	.799 [20.30]	
.051-.079 [1.30-2.00]	.807 [20.50]	

RECOMMENDED PANEL CUT



SPECIFICATIONS:

Material:
 Insulator: Nylon 66, rated UL 94V-0
 Insulator color: Black
 Contacts: Copper Alloy
 Plating:

Tin over Copper underplate overall

Electrical:

Current rating: C-ULus: 15A @ 250V

ENEC & CCC & KC: 10A @250V

Insulation resistance: 100 Mohms min @ 500 VDC

Dielectric withstanding voltage: 3,000 VAC for 1 minute

Environmental:

Operating Temp: -40°C to +70°C max.

Lead free, RoHS compliant



TERMINAL OPTIONS			
-1	-2	-3	-5
.187 Q.C.	.250 Q.C.	.157 Solder	.098 Solder

UNLESS OTHERWISE SPECIFIED
 ALL DIMENSIONS ARE INCHES [MM]
 TOLERANCES: EXCEPT AS NOTED

INCHES		HOLES	
.X	± .10	ØX	±.10
.XX	± .020	Ø.XX	±.015
.XXX	± .015	Ø.XXX	±.010

ADAM TECH

909 Rahway Avenue, Union, NJ 07083
 Phone: 908-687-5000 Fax: 908-687-5710

APPROVALS		DATE
DRAWN	SS	6/16/05
CHECKED		
APPROVED		

TITLE			
IEC MALE INLET, SNAP-IN PANEL MOUNT			
SIZE	PART NO.	REV.	
X	IEC-C-X	C	
REF:	S00087C	SCALE: NTS	SHEET 1 OF 1