

4

3

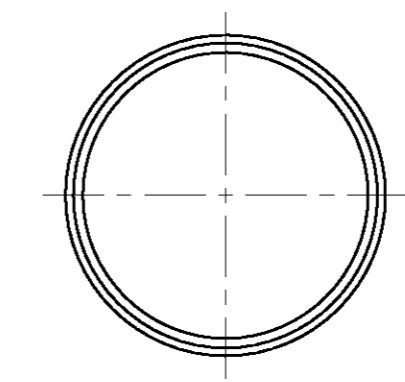
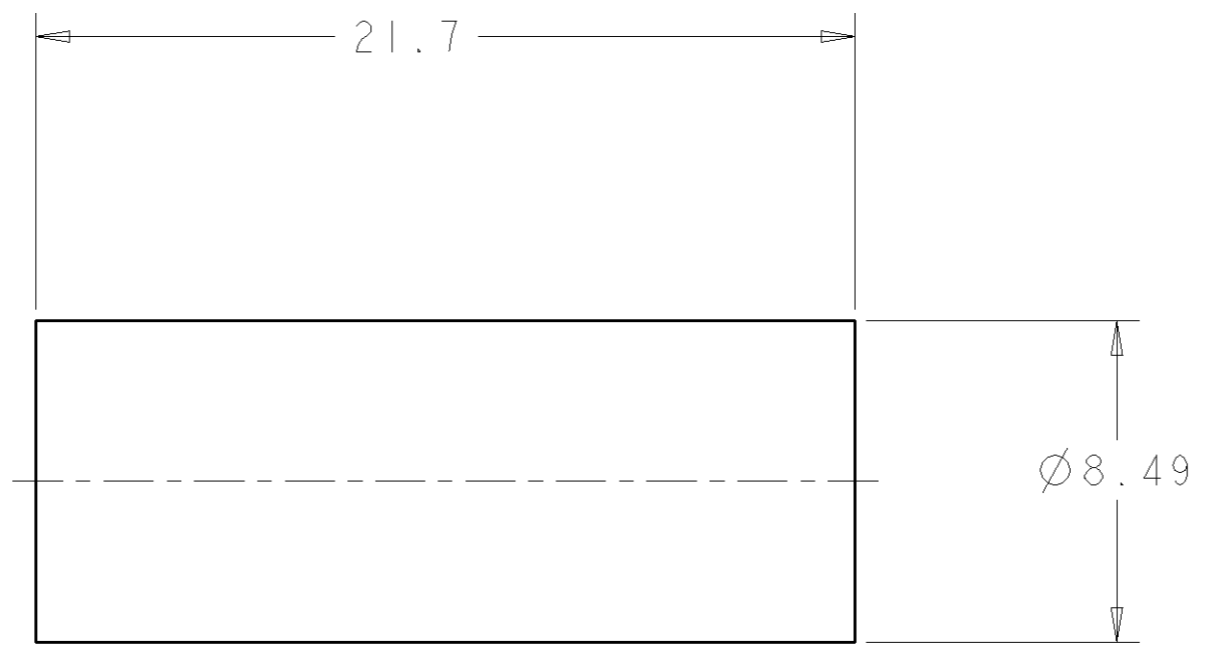
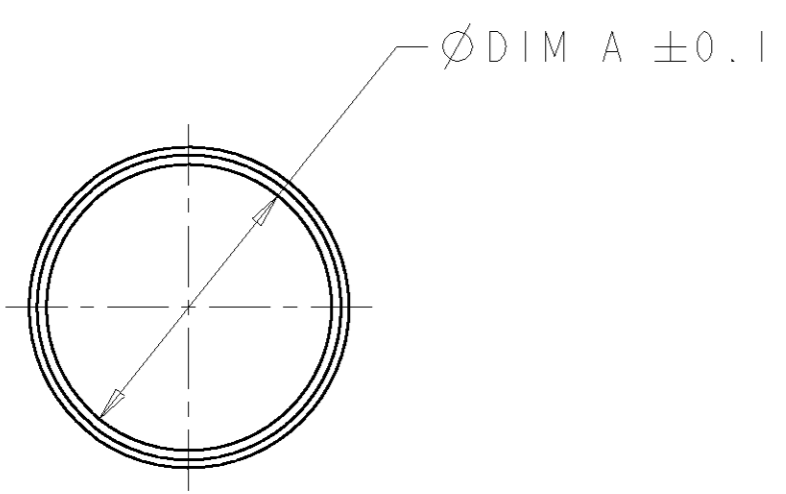
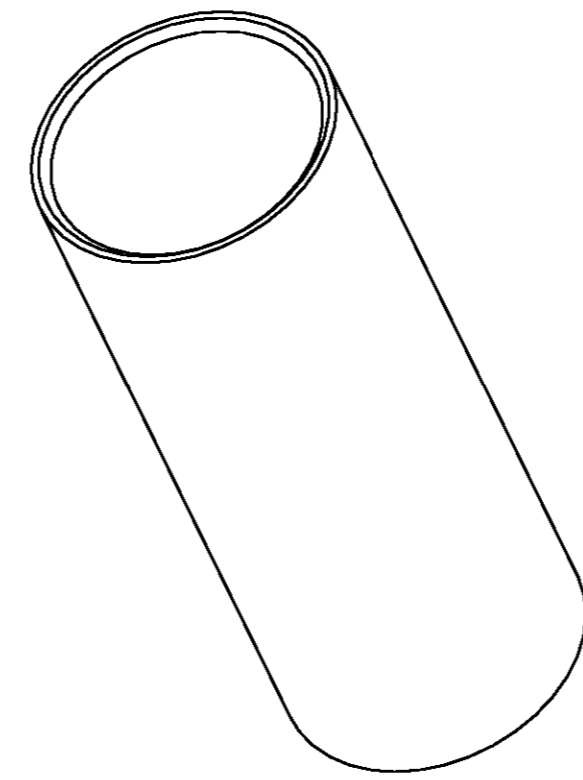
2

1

THIS DRAWING IS UNPUBLISHED. RELEASED FOR PUBLICATION 20

© COPYRIGHT 20 BY TYCO ELECTRONICS CORPORATION. ALL RIGHTS RESERVED.

LOC	DIST	REVISIONS					
		P	LTR	DESCRIPTION	DATE	DWN	APVD
CM	00		0	RELEASED PER 063B-0061-03	13-MAY-03	KW	JE



- 1. MATERIAL: COPPER
- 2. PLATING: SILVER

#4	7.57	1604072-3
#6	5.72	1604072-2
#8	4.75	1604072-1
WIRE RANGE	DIM A	PART NUMBER

METRIC

THIS DRAWING IS A CONTROLLED DOCUMENT FOR TYCO ELECTRONICS CORPORATION. IT IS SUBJECT TO CHANGE AND THE CONTROLLING ENGINEERING ORGANIZATION SHOULD BE CONTACTED FOR THE LATEST REVISION.		DWN B. HAYMAKER 03 JAN 2002	Tyco Electronics Harrisburg, PA 17105-3608	
DIMENSIONS: mm		CHK K. KETELSIEGER 03 JAN 2002		
TOLERANCES UNLESS OTHERWISE SPECIFIED: 0 PLC ±0.13 1 PLC ±0.13 2 PLC ±0.13 3 PLC ±0.13 4 PLC ± ANGLES ±		APVD K. KETELSIEGER 03 JAN 2002	NAME REDUCING BUSHING, 120 AMP POWER PRODUCT	
MATERIAL -		PRODUCT SPEC -	RESTRICTED TO -	
FINISH -		APPLICATION SPEC -	SIZE A2	
-		WEIGHT -	CAGE CODE 00779	
-		CUSTOMER DRAWING	DRAWING NO 1604072	
-		SCALE 5:1	SHEET 1 OF 1	
-		REV 0	REV 0	