

G-ESIS-M25-S68N-PEPDS-BK - Cable gland



1424468

<https://www.phoenixcontact.com/us/products/1424468>

Please be informed that the data shown in this PDF document is generated from our online catalog. Please find the complete data in the user documentation. Our general terms of use for downloads are valid.



Cable gland, material for screw connection: PA, application: Ex, external cable diameter 10 mm .
.. 17 mm, shielding: no, connecting thread: M25 x 1.5, color: jet black RAL 9005, with flat gasket

Product description

Cable gland, with flat gasket

Your advantages

- Glow-wire test: 750°C
- Weatherproof sealing material
- Halogen-free

Commercial data

Item number	1424468
Packing unit	1 pc
Minimum order quantity	10 pc
Sales key	BF68
Product key	BF7DDX
GTIN	4055626375588
Weight per piece (including packing)	27.3 g
Weight per piece (excluding packing)	21.32 g
Customs tariff number	39269097
Country of origin	DE

G-ESIS-M25-S68N-PEPDS-BK - Cable gland



1424468

<https://www.phoenixcontact.com/us/products/1424468>

Technical data

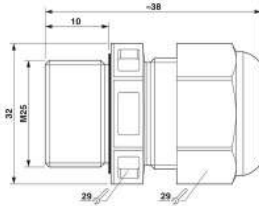
Product properties

Product type	Full screw connection
Application	Ex
No. of conductors	1
Manufacturer	WISKA
Manufacturer Designation	ESKE/1-e 25
Shielded	no

Ex data

Cable types that can be used	for unarmored cables
Suited for EX-applications	yes

Dimensions

Dimensional drawing	
Length	38 mm
Length of the connecting thread	10 mm
Hole diameter	25.1 mm ... 25.3 mm
Wrench size, union nut	29 mm
Wrench size, support	29 mm
Hexagon angular dimension	33 mm
Thread type connection side	M25 x 1.5
Thread pitch	1.5 mm

Material specifications

Material	PA
Seal material	EPDM
Glow wire ignition temperature GWIT according to EN 60695-2-13	750
Material for screw connection	PA

Cable/line

External cable diameter ()	10 mm ... 17 mm
Tightening torque, union nut	2.00 Nm
Halogen-free	yes

Environmental and real-life conditions

G-ESIS-M25-S68N-PEPDS-BK - Cable gland



1424468

<https://www.phoenixcontact.com/us/products/1424468>

Ambient conditions

Degree of protection	IP66
	IP68 (5 bar / 0.5 h)
Ambient temperature (operation)	-40 °C ... 75 °C (static)

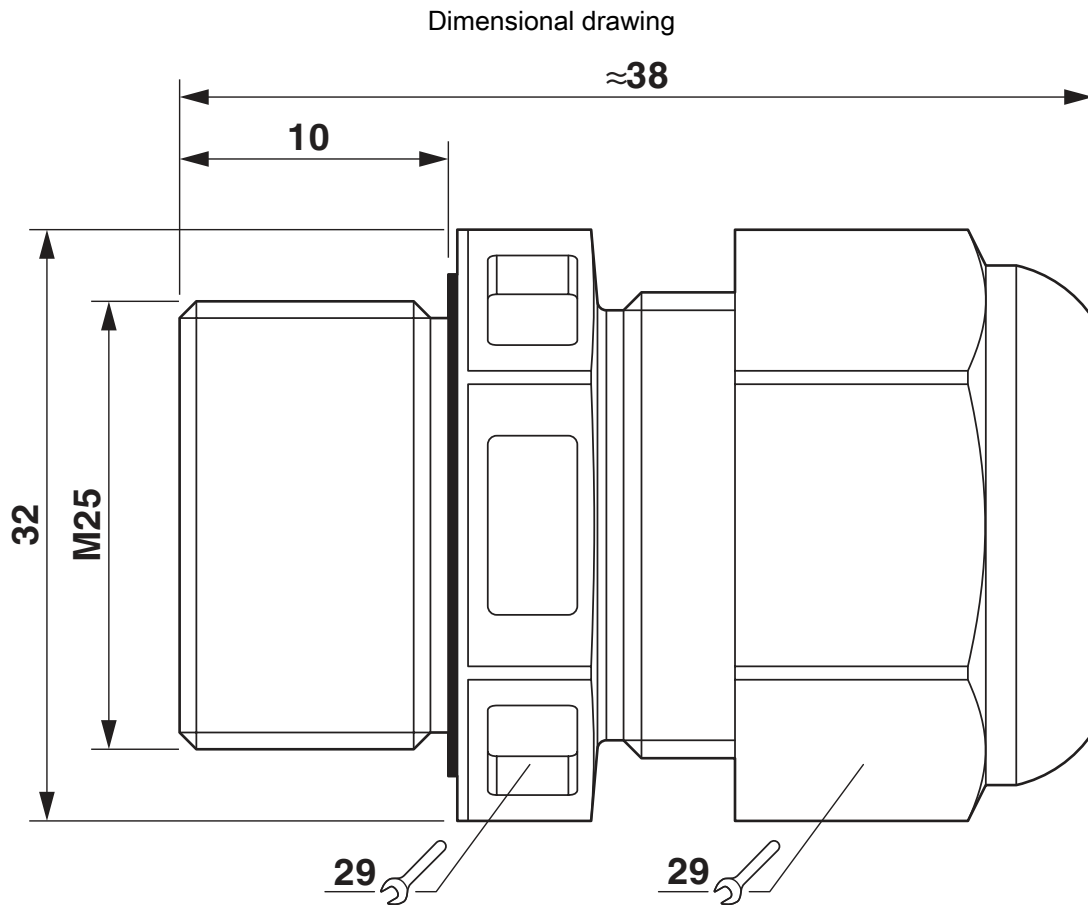
G-ESIS-M25-S68N-PEPDS-BK - Cable gland



1424468

<https://www.phoenixcontact.com/us/products/1424468>

Drawings



Dimensional drawing

G-ESIS-M25-S68N-PEPDS-BK - Cable gland



1424468

<https://www.phoenixcontact.com/us/products/1424468>

Approvals

To download certificates, visit the product detail page: <https://www.phoenixcontact.com/us/products/1424468>



EAC Ex

Approval ID: RU C-DE.HA67.B.00120



IECEX

Approval ID: IECEX PTB 13.0034X



ATEX

Approval ID: PTB 13 ATEX 1015 X



DNV GL-EX

Approval ID: TAE00002SV

G-ESIS-M25-S68N-PEPDS-BK - Cable gland



1424468

<https://www.phoenixcontact.com/us/products/1424468>

Classifications

ECLASS

ECLASS-11.0	27144432
ECLASS-12.0	27140801
ECLASS-13.0	27140801

ETIM

ETIM 8.0	EC000441
----------	----------

UNSPSC

UNSPSC 21.0	39121300
-------------	----------

G-ESIS-M25-S68N-PEPDS-BK - Cable gland



1424468

<https://www.phoenixcontact.com/us/products/1424468>

Environmental product compliance

China RoHS	Environmentally friendly use period: unlimited = EFUP-e
	No hazardous substances above threshold values

G-ESIS-M25-S68N-PEPDS-BK - Cable gland

1424468

<https://www.phoenixcontact.com/us/products/1424468>



Accessories

A-INL-M25-P-BK - Counter nut

1411216

<https://www.phoenixcontact.com/us/products/1411216>

Counter nut, for threads M25 x 1.5, color: jet black



Phoenix Contact 2023 © - all rights reserved
<https://www.phoenixcontact.com>

Phoenix Contact USA
586 Fulling Mill Road
Middletown, PA 17057, United States
(+717) 944-1300
info@phoenixcon.com