

THIS DRAWING IS UNPUBLISHED.

RELEASED FOR PUBLICATION

ALL RIGHTS RESERVED.

© COPYRIGHT - By -

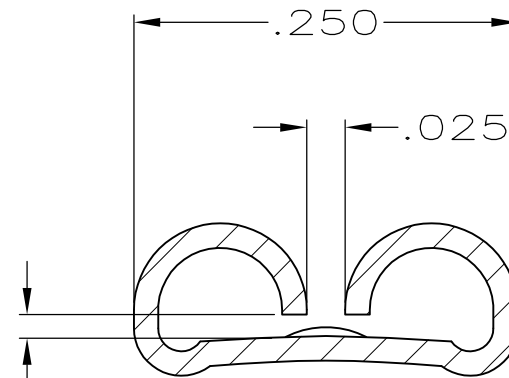
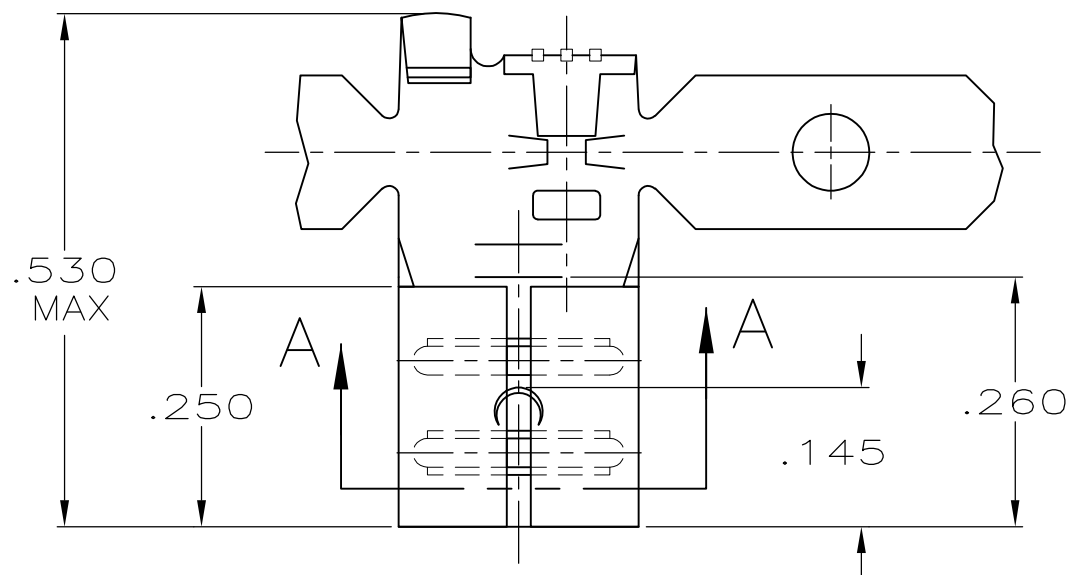
LOC
AF

DIST
50

REVISIONS

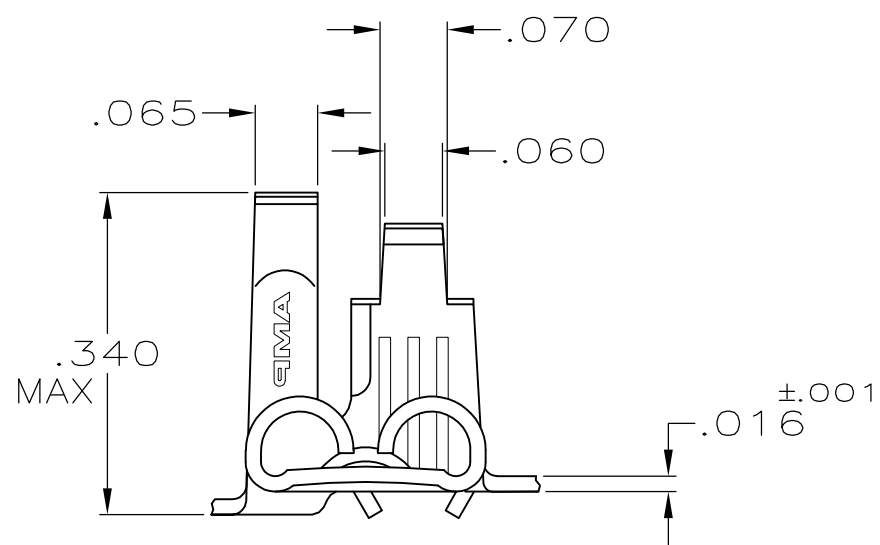
P	LTR	DESCRIPTION	DATE	DWN	APVD
	E	REVISED PER ECR-12-013459	27NOV2012	KH	PD


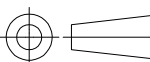
- 1 CONTINUOUS STRIP ON REELS
- 2 FEED IS .650±.005



FITS .205 SERIES FASTON TAB

SECTION A-A
SCALE 8:1



.110-.170	20-14	.020	62354-1
INSULATION RANGE	WIRE SIZE	MATING TAB THK±.001	PART NO.
THIS DRAWING IS A CONTROLLED DOCUMENT.		DWN JR RUTH 1/26/90	 TE Connectivity RECEPTACLE, FASTON, FLAG, .205 SERIES
DIMENSIONS: INCHES		CHK MS FEHER 1/26/90	
		APVD C MEYERS 1/26/90	
TOLERANCES UNLESS OTHERWISE SPECIFIED:		PRODUCT SPEC	NAME
0 PLC ± -		APPLICATION SPEC	SIZE
1 PLC ± -		WEIGHT	CAGE CODE
2 PLC ± -		CUSTOMER DRAWING	DRAWING NO
3 PLC ± .015		SCALE 5:1	SHEET 1 OF 1
4 PLC ± -		RESTRICTED TO	REV E
ANGLES ± -			
FINISH			
MATERIAL BRASS	FINISH TIN		