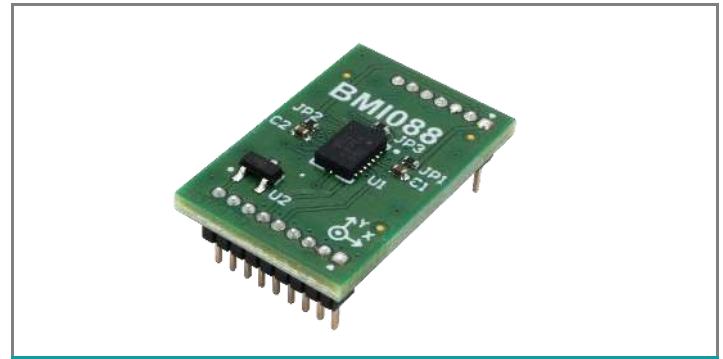


# BMI088

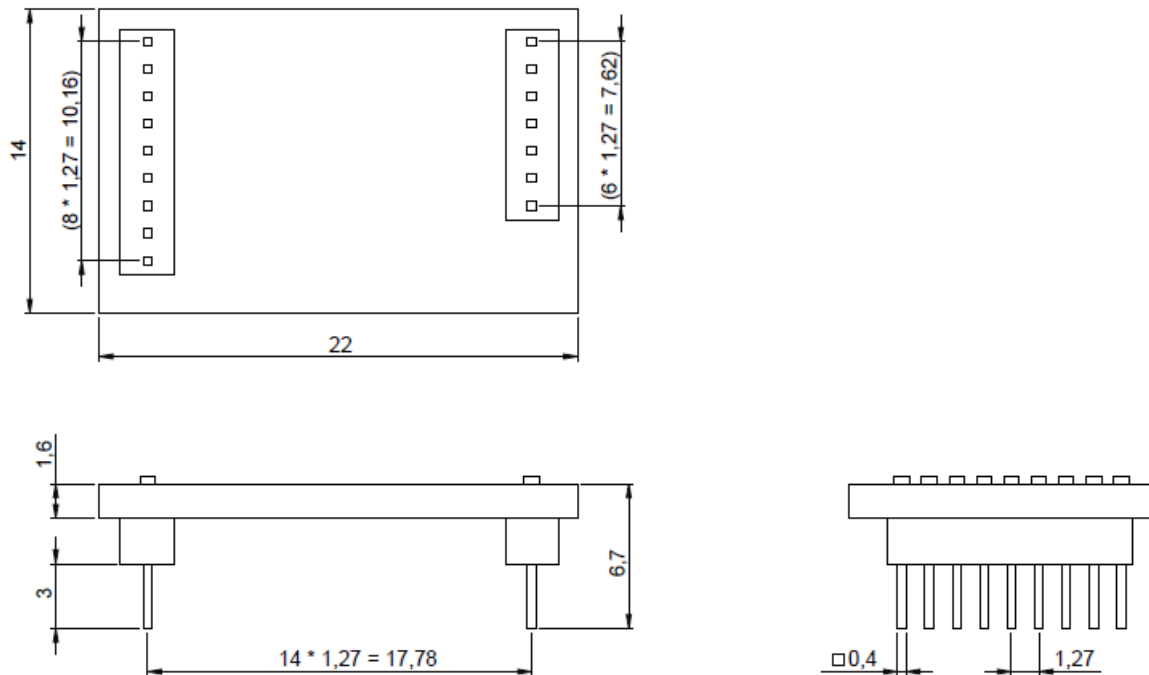
## Shuttle board 3.0 flyer

### GENERAL DESCRIPTION

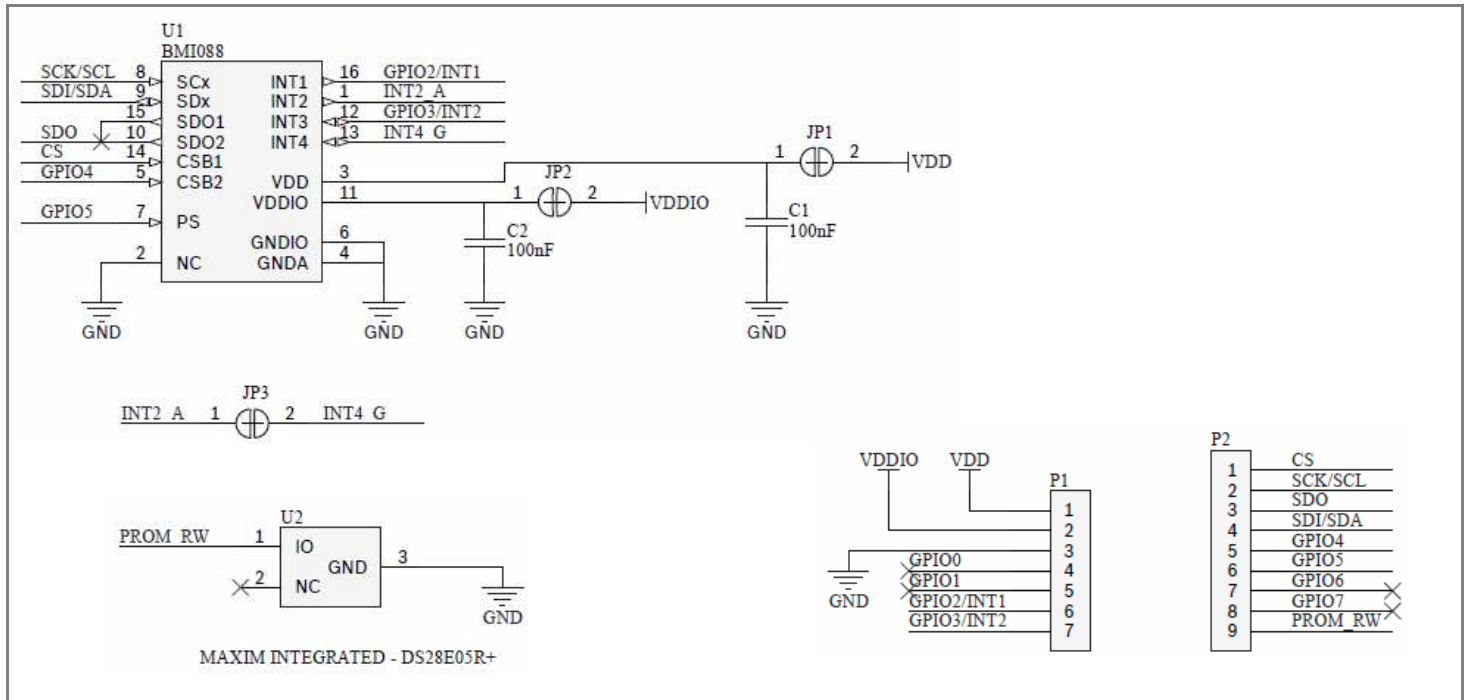
The Bosch Sensortec BMI088 shuttle board 3.0 is a PCB with the 6-axis inertial measurement unit BMI088 mounted on it. In combination with the application board 3.0, the shuttle board can be used to evaluate various functionalities provided on BMI088. The shuttle board allows easy access to the sensor pins via a simple socket and can be directly plugged into the Bosch Sensortec's application board 3.0.



Note: Product photo may differ from real product's appearance



Shuttle board outline dimensions (all dimensions in mm)



Electrical layout

**DESIGNATOR P1 SHUTTLE BOARD CONNECTOR**

Pin	Pin name	Description
1	VDD	Power supply
2	VDDIO	Power supply
3	GND	Ground
4	GPIO0	NC
5	GPIO1	NC
6	GPIO2/INT1	Interrupt pin 1
7	GPIO3/INT2	Interrupt pin 2

Shuttle board identification:

- ▶ Shuttle ID: 0x66
- ▶ Shuttle board identifier: BST00767

**DESIGNATOR P2 SHUTTLE BOARD CONNECTOR**

Pin	Pin name	Description
1	CS	SPI chip select accelerometer
2	SCK/SCL	Clock pin of both SPI and I2C bus
3	SDO	Master-input-slave-output data pin of SPI bus
4	SDI/SDA	Master-output-slave-input data pin of SPI bus and I2C data pin
5	GPIO4	SPI chip select gyroscope
6	GPIO5	Protocol select gyroscope
7	GPIO6	NC
8	GPIO7	NC
9	PROM_RW	Connect to EEPROM

**Headquarters**  
**Bosch Sensortec GmbH**  
 Gerhard-Kindler-Strasse 9  
 72770 Reutlingen · Germany  
 Telephone +49 7121 3535 900  
 Fax +49 7121 3535 909  
  
[www.bosch-sensortec.com](http://www.bosch-sensortec.com)