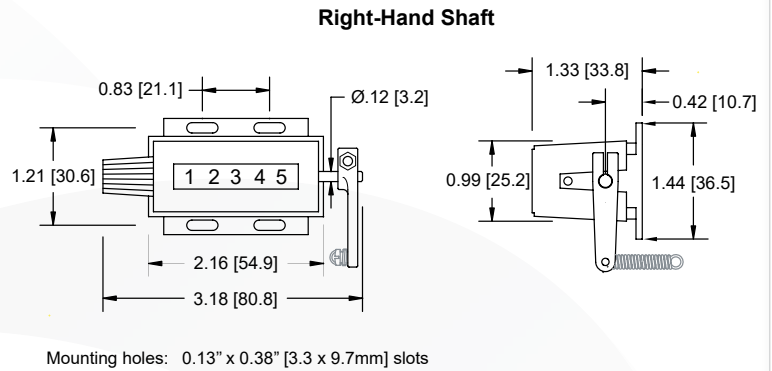


20 Series

Mechanical Stroke Counter



A highly versatile, 5 figure stroke counter. Numbers are large and distinctive for easy viewing, even when above or below eye level. Ruggedly built for years of trouble-free use. An excellent choice for counting parts produced.

Key Features

- Durable
- Large figures
- Reliable
- Optional large reset knob

Applications

- Punch Press
- Machine Cycles
- Secondary Machines

Specifications

Figures	5 figures, white on black, 0.19" [5mm] high
Reset	Knob
Speed	1,000 counts/minute
Rotation	Top-coming or top-going
Count Stroke	49° Min. - 60° Max.
Shaft Extension	Right-hand
Shaft Diameter	0.125" [3.2mm]
Operating Life	Beyond 10 million counts
Temp. Range	-15°F to +140°F [-26°C to +60°C]
Weight	1.5 oz. [43g]

Part Numbers

1-2035

Right-hand, top-coming, standard reset knob