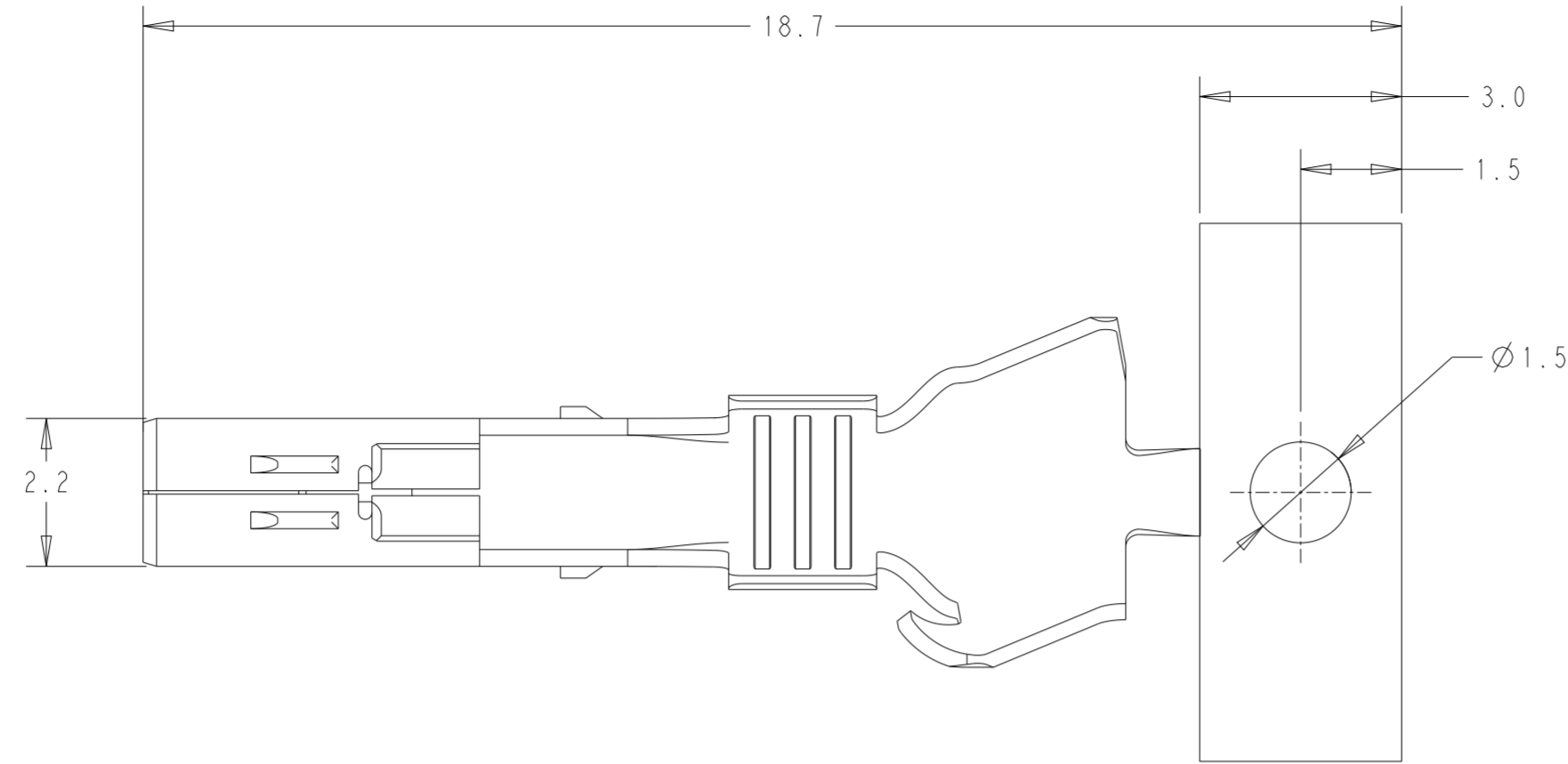
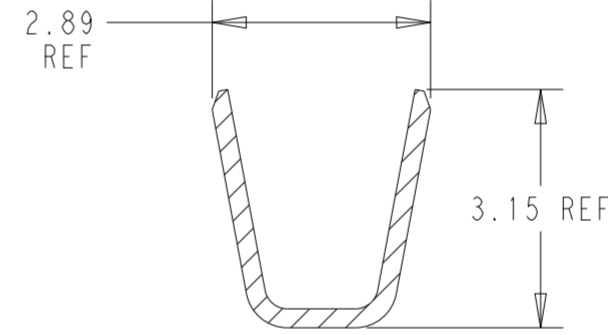
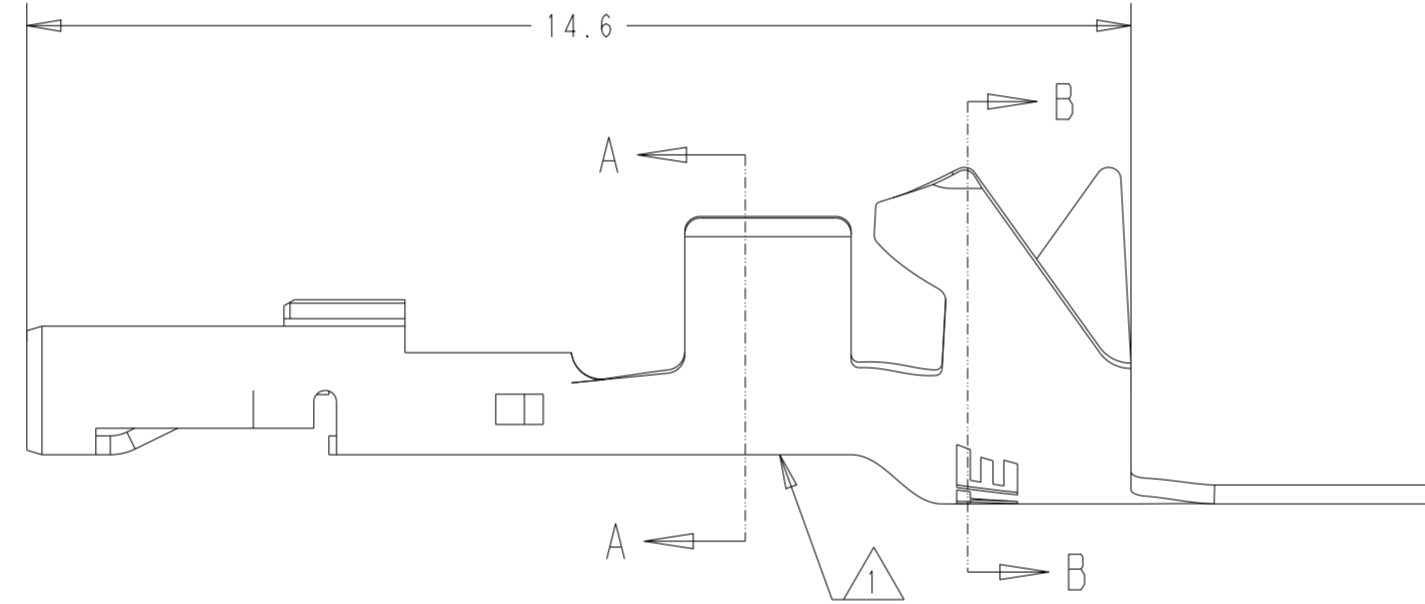
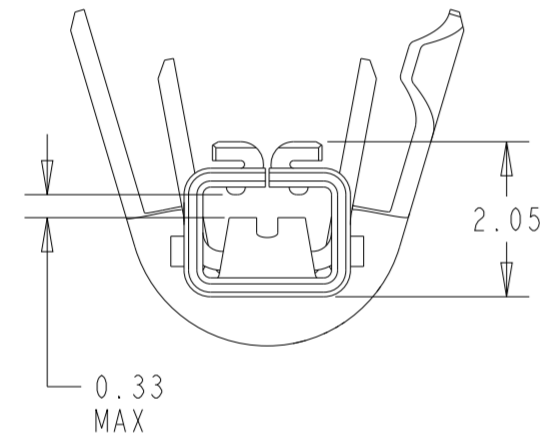


THIS DRAWING IS UNPUBLISHED. RELEASED FOR PUBLICATION  
 © COPYRIGHT copyright.dBTe- ALL RIGHTS RESERVED.

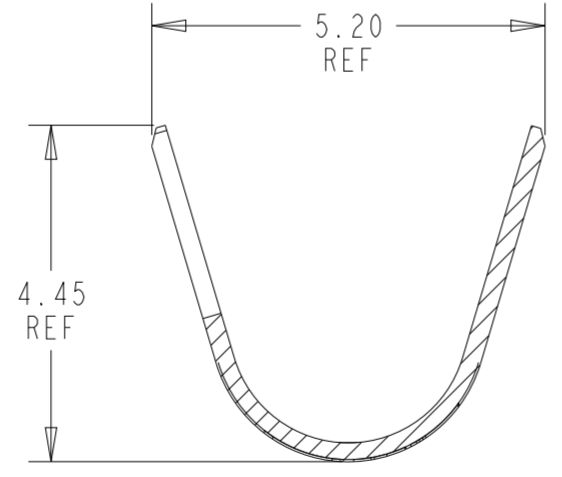
REVISIONS				
P	LTR	DESCRIPTION	DATE	APVD
A		RELEASED PER ECO-19-013549	04SEP2019	BKW GJ
A1		REVISED PER ECR-20-100211	06AUG2020	JP VS
A2		REVSIED PER ECR-21-107670	20JUL2021	SS VS



- 1 MATERIAL MARK
- 2. WIRE RANGE: 14-16 AWG COPPER STRANDED.
- 3. INSULATION RANGE: 2.3~3.5
- 4. SUPPLIED CONTINUOUS ON REELS.
- 5 PRELIMINARY - NOT FOR PRODUCTION



SECTION A-A



SECTION B-B

M0	HIGH CONDUCTIVE COPPER ALLOY	HIGH TEMP (140°C)	2329916-2
M2	COPPER ALLOY	STANDARD TEMP (105°C)	2329916-1
MATERIAL MARK 1		MATERIAL	TEMPERATURE RATING
			PART NUMBER

THIS DRAWING IS A CONTROLLED DOCUMENT.		DWN B. WEAVER 27APR2018	TE Connectivity	
DIMENSIONS: mm		CHK S. FERNANDES 27APR2018		
TOLERANCES UNLESS OTHERWISE SPECIFIED:		APVD C. YI 27APR2018	NAME POWER VERSA-LOCK REC TERMINAL WIRE SEAL 14-16 AWG	
0 PLC ±		PRODUCT SPEC	-	
1 PLC ±0.40		APPLICATION SPEC	-	
2 PLC ±0.30		WEIGHT	-	
3 PLC ±		SCALE	5:1	
4 PLC ±		SHEET	1 OF 1	
ANGLES ±		REV	A2	
FINISH		CUSTOMER DRAWING		
SEE TABLE		PRE-PLATED Sn		