

6

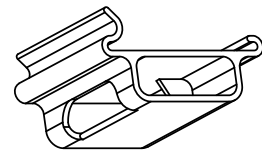
5

4

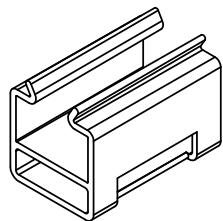
3

2

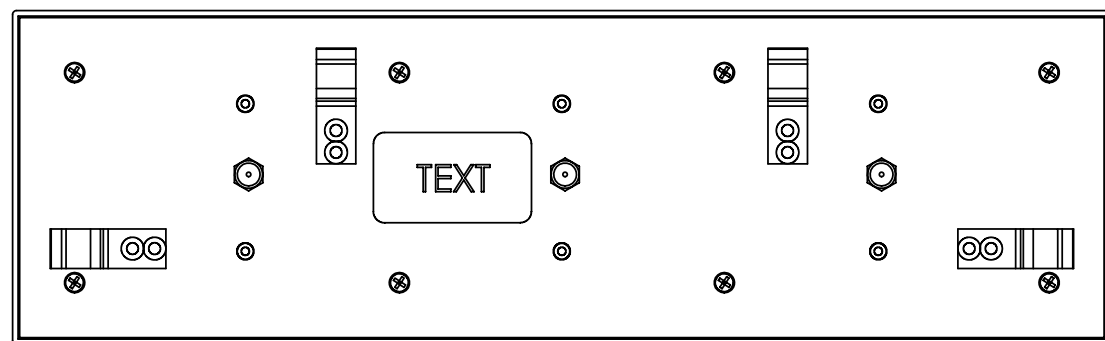
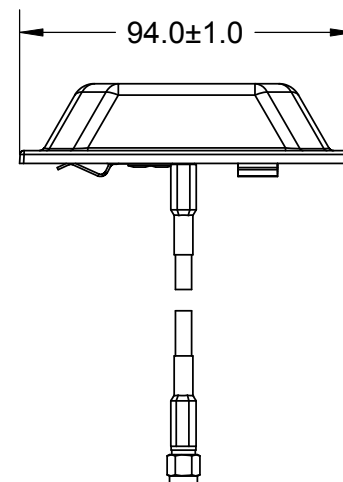
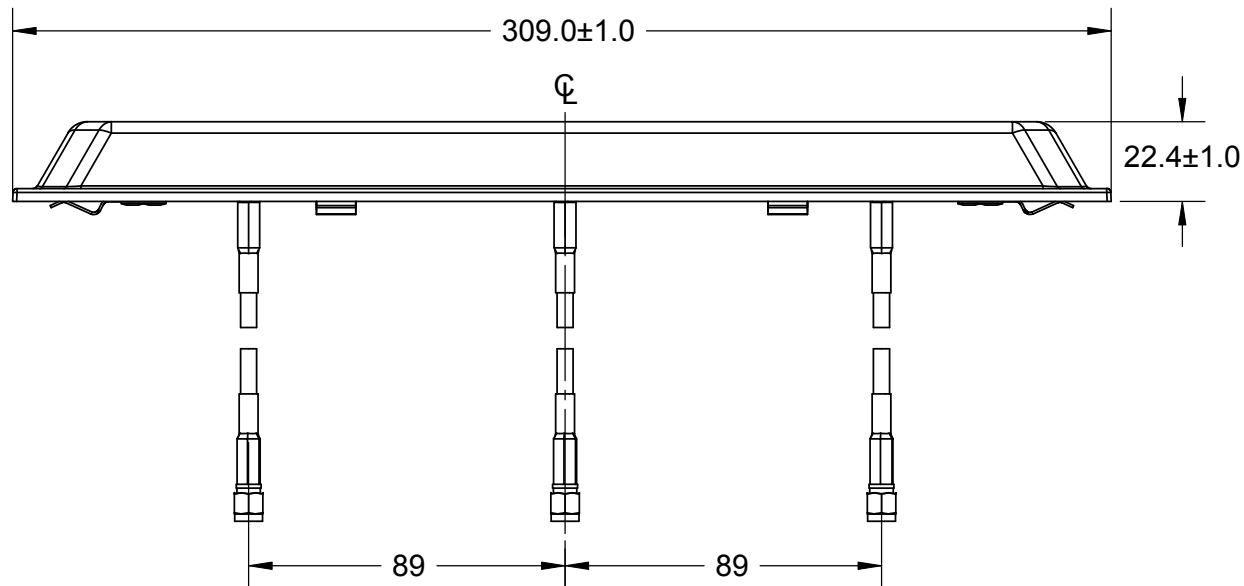
1



RECESSED TILE ADAPTER CLIP



CEILING FINELINE ADAPTER CLIP



REVISIONS					
REV.	ECR#	ZONE	DESCRIPTION	CHANGED BY/DATE	APPROVED BY/DATE
1			PRELIMINARY RELEASE	S.J. 02/14/2008	S.J. 02/14/2008
2			CHANGED GP AND RAD TO TOOLED VERSIONS	S.J. 04/17/2008	S.J. 04/17/2008
AA			FORMAL RELEASE	S.J. 5/29/2008	S.J. 5/29/2008

Parameter	Performance	
Antenna Part Number	S24493TS36RSM	
Frequency	2.4-2.5 GHz & 4.90-5.99 GHz	
Gain (W/36" Cable)	2.4-2.5 GHz	4.90-5.99 GHz
	3.0 ± 0.5dBi	4.0 ± 1.0dBi
Polarization	Linear Vert.	
VSWR	2:1	
Azimuth Plane Beamwidth	Omnidirectional	
Elevation Plane 3 dB Beamwidth	60°	
Cable Length	60"	
RF Connectors	Reverse SMA Male (3X)	
Power	2 Watts	
Weight	0.34 kg	
Radome Color	White	
Mounting	Ceiling Clips	

MATERIAL: N/A		THIRD ANGLE PROJECTION
FINISH: N/A		
APPROVALS		DO NOT SCALE DRAWING
DRAWN BY	S. JOHNSON	DATE
PROJ. ENG.	J. MORROW	1/07/08
APPL. MECH.	K. SEARL	5/30/08
MFG.	I. CHICKLIS	6/02/08
INTERPRET DIMENSIONING AND TOLERANCING IN ACCORDANCE WITH ASME Y14.5M-1994		TOLERANCES UNLESS OTHERWISE SPECIFIED
DIMENSIONS ARE IN MILLIMETERS		
ANGLE: 0 PLACE DECIMAL: ±0.5 1 PLACE DECIMAL: ±0.25 2 PLACE DECIMAL: ±0.13		SURFACE ROUGHNESS 1.6/√

TE
connectivity

TITLE:
S24493TS36RSM

SIZE: **A3** DWG. NO. **S24493TS36RSMMO** REV **AA**

SCALE: 1:2 PREVIOUS# SHEET 1 OF 1

THIS DRAWING IS UNPUBLISHED.	RELEASED FOR PUBLICATION
© Copyright 2022 TE Connectivity Ltd.	ALL RIGHTS RESERVED.

6

5

4

3

2

1