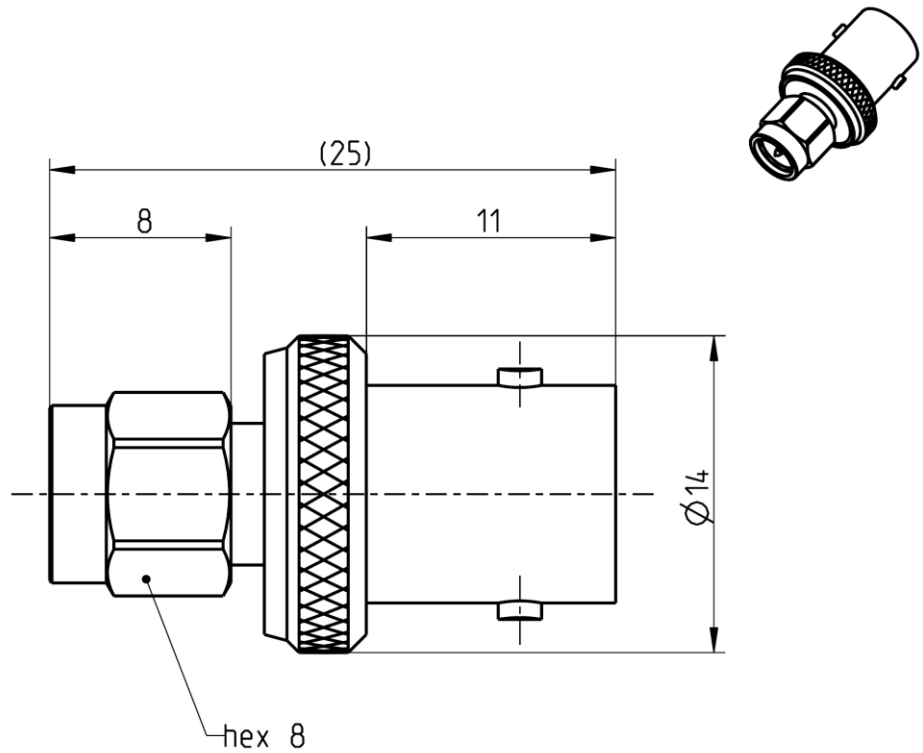


SMA
Adaptor
SMA Plug –
BNC 50 Ω Jack

32S151-K00L5



All dimensions are in mm; tolerances according to ISO 2768 m-H

Interface

According to SMA side: IEC 60169-15, EN 122110, MIL-STD-348A, Fig. 310
BNC side: DIN EN 61169-8

Documents

N/A

Material and plating

Connector parts

Center contact
Outer contact SMA side
Outer contact BNC side
Dielectric
Gasket
Coupling nut SMA side

Material

CuBe
CuBe or equiv.
Brass
PTFE
Silicone
CuBe or equiv.

Plating

AuroDur®, gold plated
AuroDur®, gold plated
Nickel, 2.5-5 µm
Gold, 0.1 µm

Dieses Dokument ist urheberrechtlich geschützt • This document is protected by copyright • Rosenberger Hochfrequenztechnik GmbH & Co. KG

RF_35/09.14/6.2

Technical Data Sheet

Rosenberger

SMA

Adaptor
SMA Plug –
BNC 50 Ω Jack

32S151-K00L5

Electrical data

| | | |
|--|--|-------------------------|
| Impedance | 50 Ω | |
| Frequency | DC to 6 GHz | |
| VSWR | $\leq 1.05 + 0.005 \times f$ [GHz] | |
| Insertion loss | $\leq 0.05 \times \sqrt{f(\text{GHz})}$ dB | |
| Insulation resistance | $\geq 5 \times 10^3$ MΩ | |
| Center contact resistance | ≤ 3 mΩ, SMA side | ≤ 1.5 mΩ, BNC side |
| Outer contact resistance | ≤ 2 mΩ, SMA side | ≤ 1 mΩ, BNC side |
| Test voltage | 1000 V rms | |
| Working voltage | 400 V rms | |
| Power handling (at 20 °C, sea level, VSWR 1.0) | ≤ 80 W @ 2 GHz | |

Mechanical data

| | SMA side | BNC side |
|-----------------------------------|------------------|-------------|
| Mating cycles | min. 500 | min. 500 |
| Coupling nut retention | ≥ 270 N | N/A |
| Center contact captivation: axial | ≥ 27 N | ≥ 27 N |
| Coupling test torque | max. 1.7 Nm | N/A |
| Recommended torque | 0.8 Nm to 1.1 Nm | N/A |

Environmental data

| | |
|---------------------|---------------------------------|
| Temperature range | -65°C to +165°C |
| Thermal shock | MIL-STD-202, Meth. 107, Cond. B |
| Corrosion | MIL-STD-202, Meth. 101, Cond. B |
| Vibration | MIL-STD-202, Meth. 204, Cond. D |
| Shock | MIL-STD-202, Meth. 213, Cond. I |
| Moisture resistance | MIL-STD-202, Meth. 106 |
| RoHS | compliant |

Tooling

N/A

Suitable cables

N/A

Weight

Weight 9.0 g/pce

While the information has been carefully compiled to the best of our knowledge, nothing is intended as representation or warranty on our part and no statement herein shall be construed as recommendation to infringe existing patents. In the effort to improve our products, we reserve the right to make changes judged to be necessary.

For the installation of the electrotechnical equipment, particular electrotechnical expertise is required.



| Draft | Date | Approved | Date | Rev. | Engineering change number | Name | Date |
|-----------|----------|-------------|----------|------|---------------------------|----------------|----------|
| Rong Fang | 13.09.04 | Chr. Janßen | 17.11.20 | j00 | 20-1927 | S. Huber-Siegl | 17.11.20 |

Rosenberger Hochfrequenztechnik GmbH & Co. KG
P.O.Box 1260 D-84526 Tittmoning Germany
www.rosenberger.de

Tel. : +49 8684 18-0
Email : info@rosenberger.de

Page

2 / 2