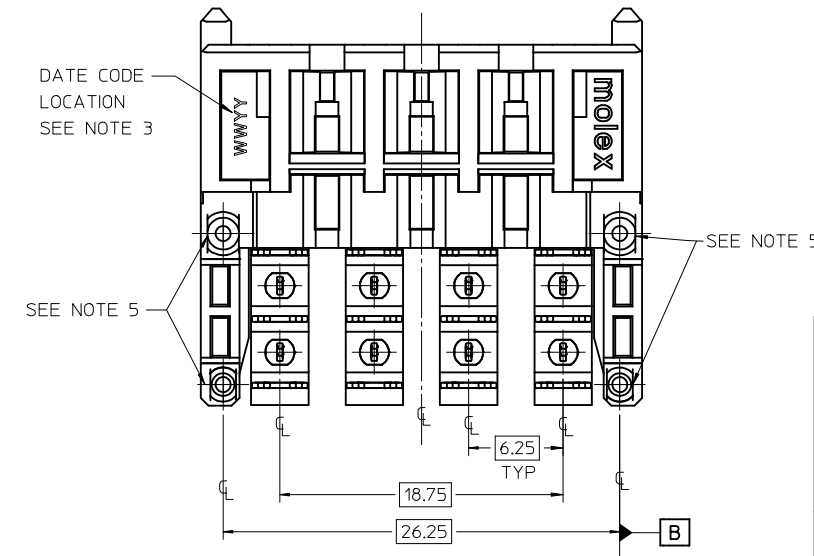
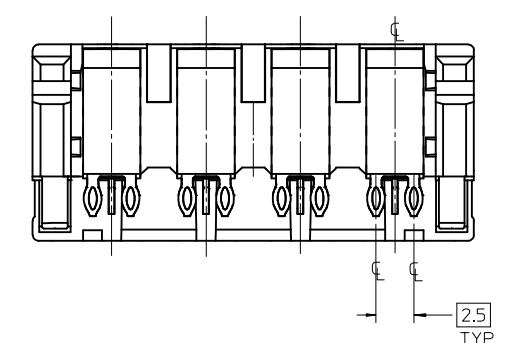
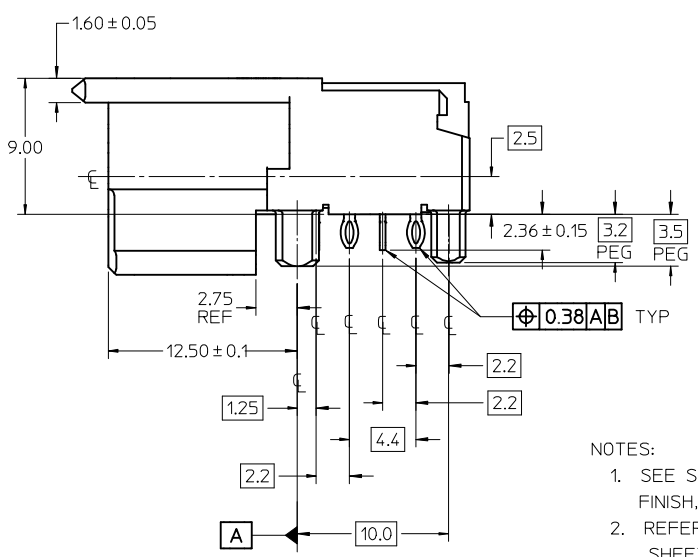
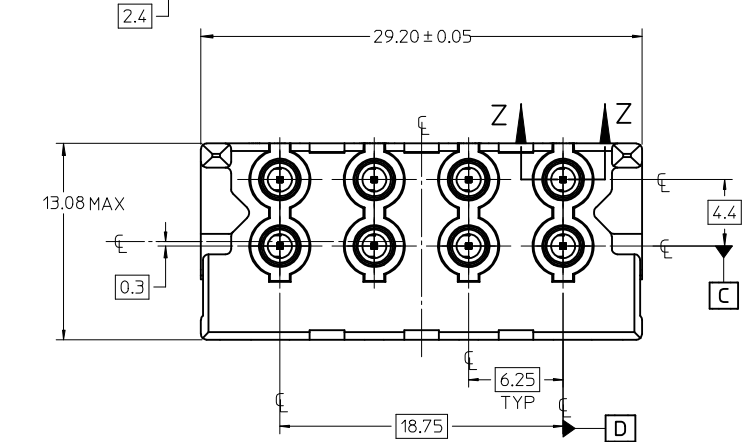
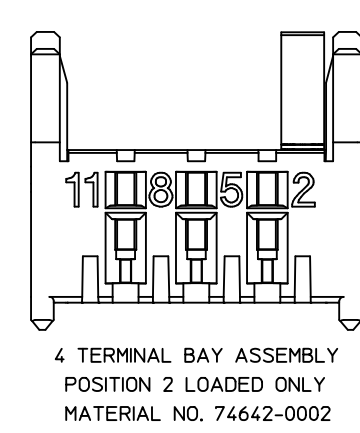
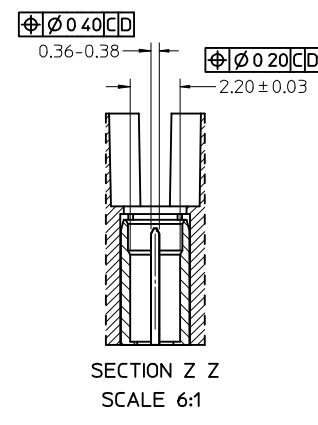
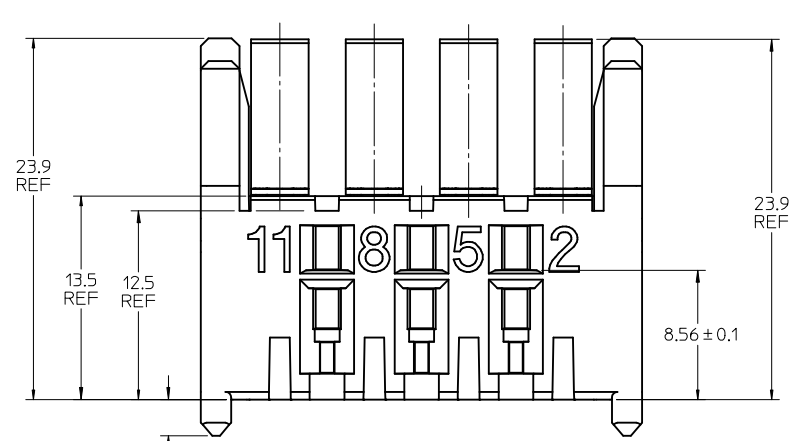


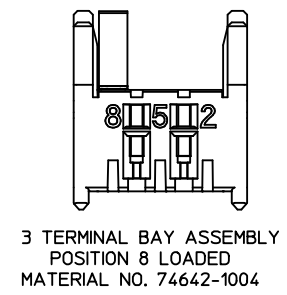
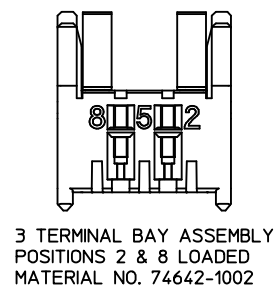
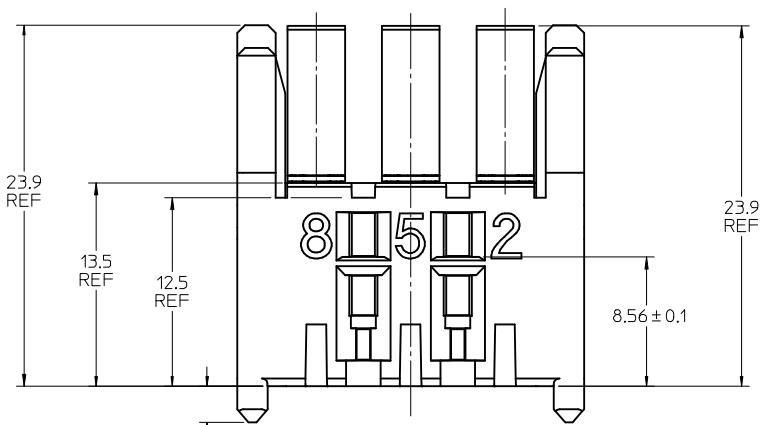
| | |
|--------------|------------------------------|
| 2 | 74642 |
| MATERIAL NO. | TERMINAL LOADING BY POSITION |
| 74642-0001 | 2, 5, 8, 11 |
| 74642-0002 | 2 |



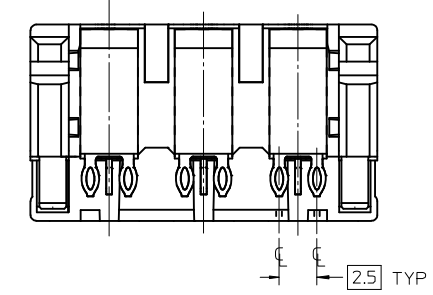
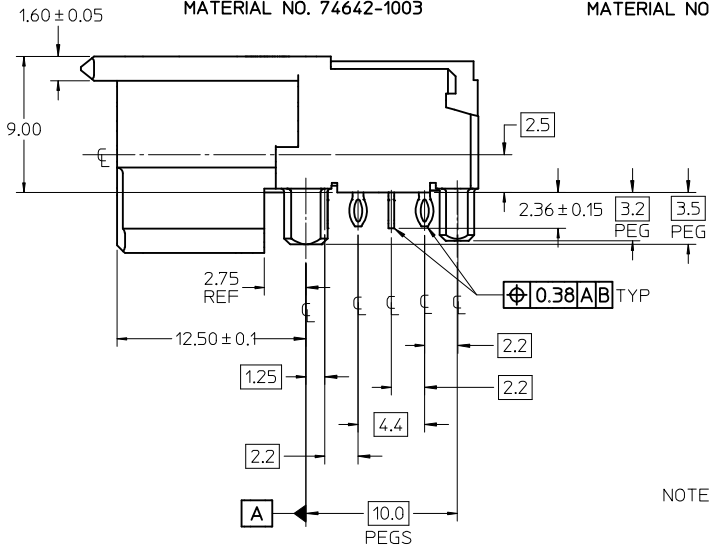
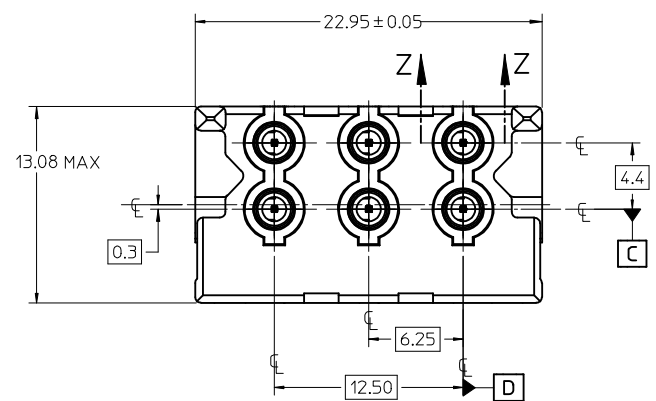
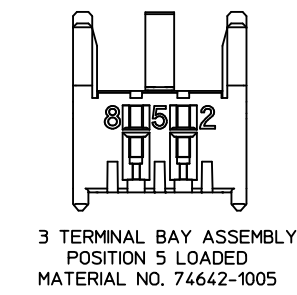
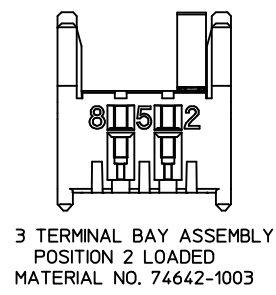
4 TERMINAL BAY ASSEMBLY
POSITION 2,5,8,11 SHOWN
MATERIAL NO. 74642-0001

- NOTES:
1. SEE SHEET 4 FOR ALL NOTES PERTAINING TO MATERIAL, FINISH, PRODUCT SPECIFICATIONS AND PACKAGING.
 2. REFER TO SHEET 2 FOR THE 3 TERMINAL BAY ASSEMBLY, SHEET 3 FOR THE 5 TERMINAL BAY ASSEMBLY AND SHEET 4 THEIR RELATED MATERIAL NUMBERS
 3. DATE CODE TO BE LASER MARKED ON BOTTOM OF ASSEMBLY IN THE RECESSED POCKET LOCATION SHOWN.

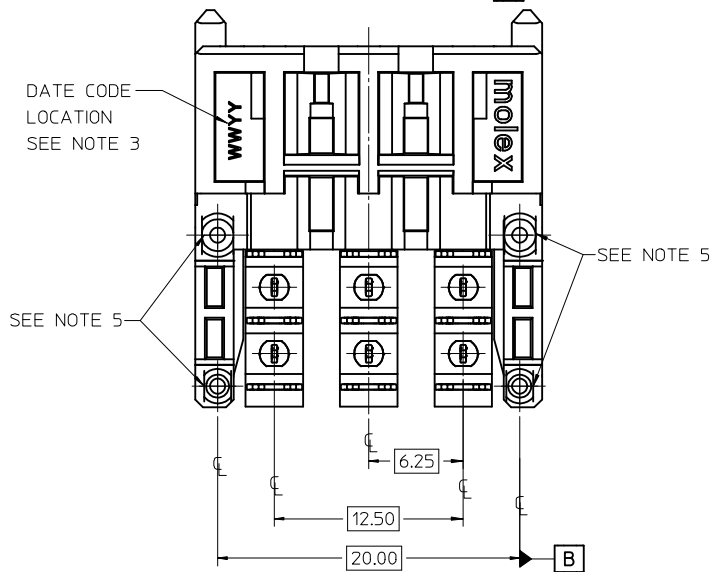
| | | | | | | | | | | |
|---|-------------------|------------------------------|---------------------------------------|-------|----------------------------|---|---|--------------------|------------------------------|---------------------|
| REVISED EC NO: UCP2009-0995 DRWN: JMENDOZA 2008/10/21 CHKD: 2008/10/21 APPR: BINGHAM 2008/10/21 | DESCRIPTION J2 | QUALITY SYMBOLS -0 c.0 | GENERAL TOLERANCES (UNLESS SPECIFIED) | | SCALE 4:1 | DESIGN UNITS METRIC | THIRD ANGLE PROJECTION | REVISE ON CAD ONLY | | |
| | | | mm | INCH | DIMENSION STYLE MM ONLY | | TITLE SALES DRAWING FOR R/A GANGED RF CONNECTOR ASSEMBLIES | | | |
| | | | 4 PLACES ± --- | ± --- | DRAWN BY J. LONG | DATE 01-02-08 | MATERIAL NO. SEE CHART | | DOCUMENT NO. SD-74642-001 | SHEET NO. 1 OF 4 |
| | | | 3 PLACES ± --- | ± --- | CHECKED BY J. LONG | DATE 01-02-08 | MATERIAL NO. SEE CHART | | DOCUMENT NO. SD-74642-001 | SHEET NO. 1 OF 4 |
| DRAFT WHERE APPLICABLE MUST REMAIN WITHIN DIMENSIONS | | | APPROVED BY REGNIER | | DATE 01-03-20 | THIS DRAWING CONTAINS INFORMATION THAT IS PROPRIETARY TO MOLEX INCORPORATED AND SHOULD NOT BE USED WITHOUT WRITTEN PERMISSION | | | | |



| 74642 | |
|--------------|------------------------------|
| MATERIAL NO. | TERMINAL LOADING BY POSITION |
| 74642-1001 | 2, 5, 8 |
| 74642-1002 | 2, 8 |
| 74642-1003 | 2 |
| 74642-1004 | 8 |
| 74642-1005 | 5 |



3 TERMINAL BAY ASSEMBLY
POSITION 2,5,8 SHOWN
MATERIAL NO. 74642-1001

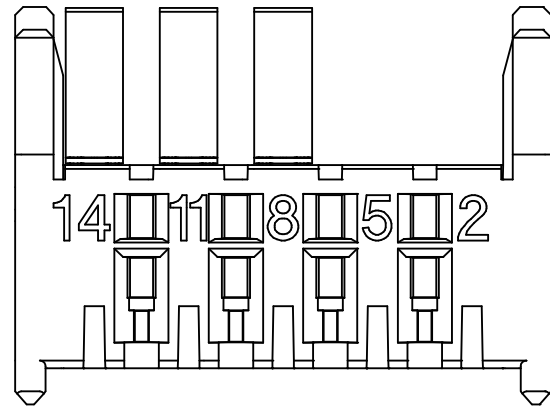
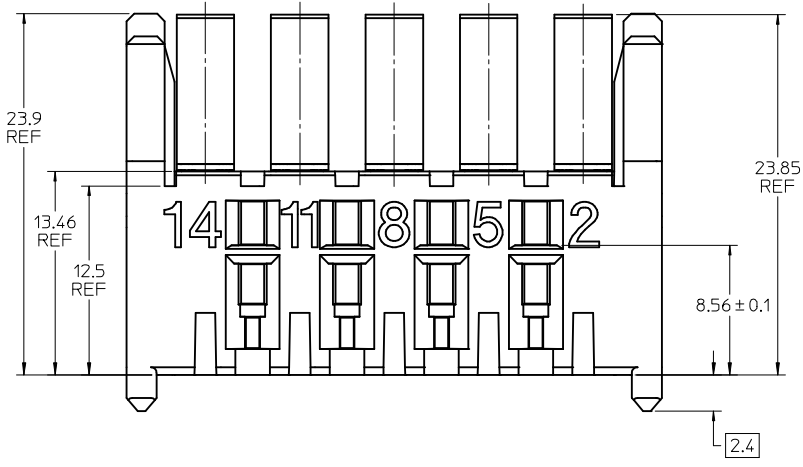


NOTE: REFER TO SHEET 1 FOR ALL DIMENSIONS, SECTION VIEW AND NOTES NOT SHOWN.

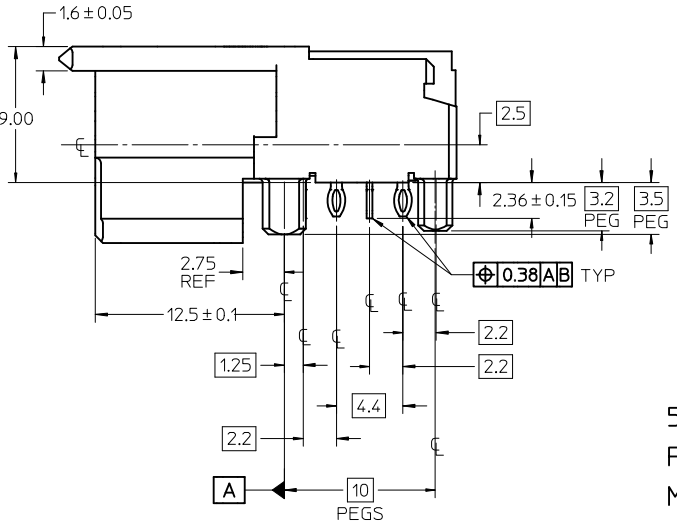
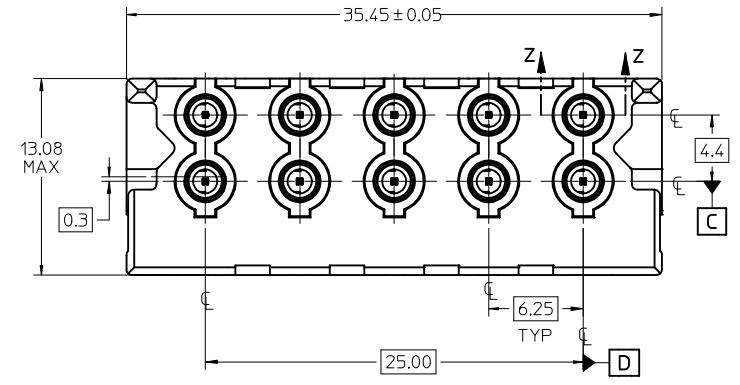
| SEE SHEET 1 EC NO: UCP2009-0995 DRWN: JMENDOZA 2008/10/21 CHKD: 2008/10/21 APPR: BINGHAM 2008/10/21 | QUALITY SYMBOLS | GENERAL TOLERANCES (UNLESS SPECIFIED) | SCALE 4:1 | DESIGN UNITS METRIC | THIRD ANGLE PROJECTION | REVISE ON CAD ONLY | | | | | | | | | | | | | | | |
|---|-------------------------------|---|-----------|--|------------------------|--------------------|-------|-------|----------|-------|-------|----------|--------|-------|---------|--------|-------|-------------------------|--|-------|--|
| | ▼ -0 ∇ -0 | <table border="1"> <thead> <tr> <th></th> <th>mm</th> <th>INCH</th> </tr> </thead> <tbody> <tr> <td>4 PLACES</td> <td>± ---</td> <td>± ---</td> </tr> <tr> <td>3 PLACES</td> <td>± ---</td> <td>± ---</td> </tr> <tr> <td>2 PLACES</td> <td>± 0.13</td> <td>± ---</td> </tr> <tr> <td>1 PLACE</td> <td>± 0.25</td> <td>± ---</td> </tr> </tbody> </table> | | mm | INCH | 4 PLACES | ± --- | ± --- | 3 PLACES | ± --- | ± --- | 2 PLACES | ± 0.13 | ± --- | 1 PLACE | ± 0.25 | ± --- | DIMENSION STYLE MM ONLY | | TITLE | |
| | | | mm | INCH | | | | | | | | | | | | | | | | | |
| | 4 PLACES | ± --- | ± --- | | | | | | | | | | | | | | | | | | |
| 3 PLACES | ± --- | ± --- | | | | | | | | | | | | | | | | | | | |
| 2 PLACES | ± 0.13 | ± --- | | | | | | | | | | | | | | | | | | | |
| 1 PLACE | ± 0.25 | ± --- | | | | | | | | | | | | | | | | | | | |
| | ANGULAR ± 2 ° | DRAFT WHERE APPLICABLE | | SALES DRAWING FOR R/A GANGED RF CONNECTOR ASSEMBLIES MOLEX INCORPORATED | | | | | | | | | | | | | | | | | |
| | MUST REMAIN WITHIN DIMENSIONS | APPROVED BY REGNIER DATE 01-03-20 | | MATERIAL NO. SEE CHART DOCUMENT NO. SD-74642-001 SHEET NO. 2 OF 4 | | | | | | | | | | | | | | | | | |

THIS DRAWING CONTAINS INFORMATION THAT IS PROPRIETARY TO MOLEX INCORPORATED AND SHOULD NOT BE USED WITHOUT WRITTEN PERMISSION

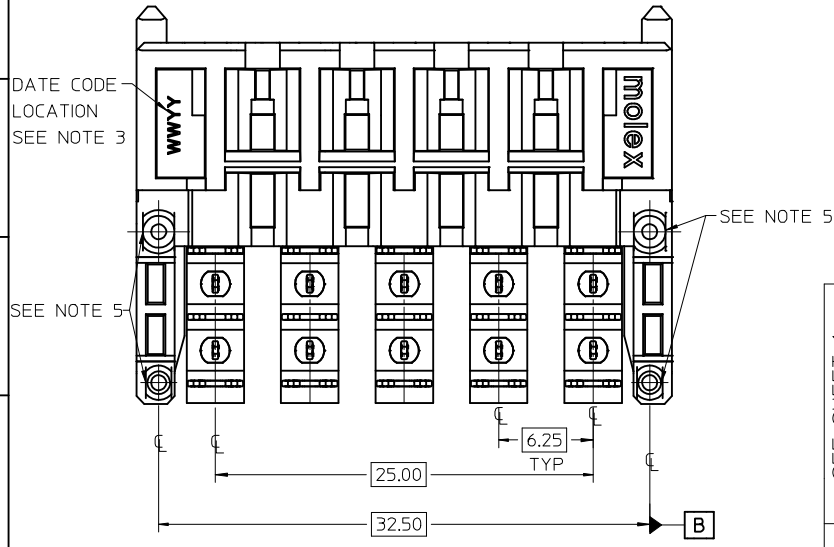
| | |
|--------------|-----------------|
| MATERIAL NO. | 74642 |
| 74642-2001 | 2, 5, 8, 11, 14 |
| 74642-2002 | 8, 11, 14 |



5 TERMINAL BAY ASSEMBLY
POSITION 8,11,14 SHOWN
MATERIAL NO. 74642-2002

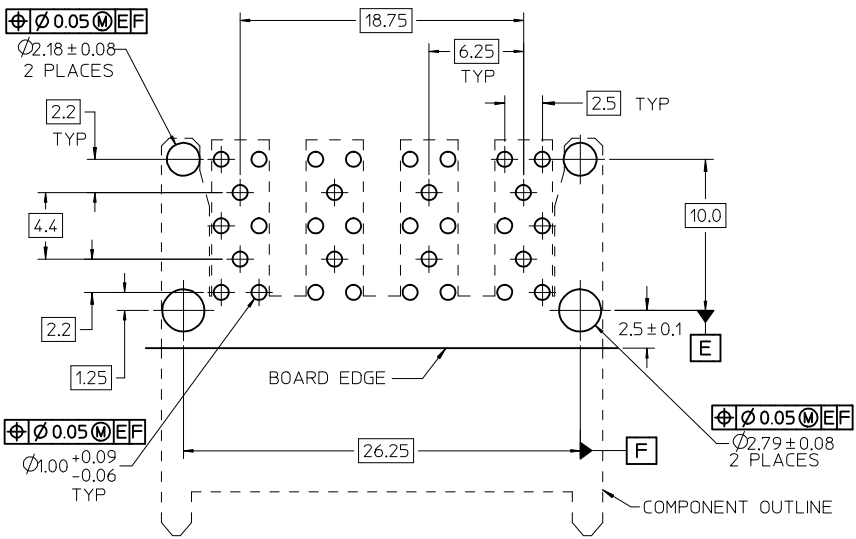


5 TERMINAL BAY ASSEMBLY
POSITION 2,5,8,11,14 SHOWN
MATERIAL NO. 74642-2001

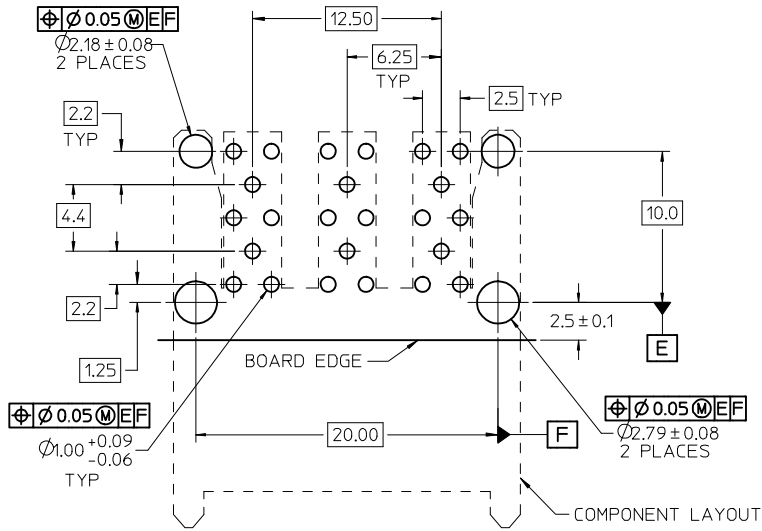


NOTE: REFER TO SHEET 1 FOR ALL DIMENSIONS,
SECTION VIEW AND NOTES NOT SHOWN.

| SEE SHEET 1 EC NO: UCP2009-0995 DRWN: J.MENDOZA 2008/10/21 CHKD: 2008/10/21 APPR: J.BINGHAM 2008/10/21 J2 | QUALITY SYMBOLS ▽ - 0 ▽ - 0 | GENERAL TOLERANCES (UNLESS SPECIFIED) <table border="1"> <thead> <tr> <th></th> <th>mm</th> <th>INCH</th> </tr> </thead> <tbody> <tr> <td>4 PLACES</td> <td>± ---</td> <td>± ---</td> </tr> <tr> <td>3 PLACES</td> <td>± ---</td> <td>± ---</td> </tr> <tr> <td>2 PLACES</td> <td>± 0.13</td> <td>± ---</td> </tr> <tr> <td>1 PLACE</td> <td>± 0.25</td> <td>± ---</td> </tr> </tbody> </table> | | mm | INCH | 4 PLACES | ± --- | ± --- | 3 PLACES | ± --- | ± --- | 2 PLACES | ± 0.13 | ± --- | 1 PLACE | ± 0.25 | ± --- | SCALE 4:1 DESIGN UNITS METRIC DIMENSION STYLE MM ONLY | THIRD ANGLE PROJECTION REVISE ON CAD ONLY | TITLE SALES DRAWING FOR R/A GANGED RF CONNECTOR ASSEMBLIES MOLEX INCORPORATED |
|--|--------------------------------------|--|---|---|------|----------|-------|-------|----------|-------|-------|----------|--------|-------|---------|--------|-------|---|--|---|
| | | mm | INCH | | | | | | | | | | | | | | | | | |
| | 4 PLACES | ± --- | ± --- | | | | | | | | | | | | | | | | | |
| | 3 PLACES | ± --- | ± --- | | | | | | | | | | | | | | | | | |
| 2 PLACES | ± 0.13 | ± --- | | | | | | | | | | | | | | | | | | |
| 1 PLACE | ± 0.25 | ± --- | | | | | | | | | | | | | | | | | | |
| DRAFT WHERE APPLICABLE MUST REMAIN WITHIN DIMENSIONS | APPROVED BY REGNIER DATE 01-03-20 | DRAWN BY J. LONG DATE 01-02-08 CHECKED BY J. LONG DATE 01-02-08 | MATERIAL NO. SEE CHART DOCUMENT NO. SD-74642-001 SHEET NO. 3 OF 4 | THIS DRAWING CONTAINS INFORMATION THAT IS PROPRIETARY TO MOLEX INCORPORATED AND SHOULD NOT BE USED WITHOUT WRITTEN PERMISSION | | | | | | | | | | | | | | | | |



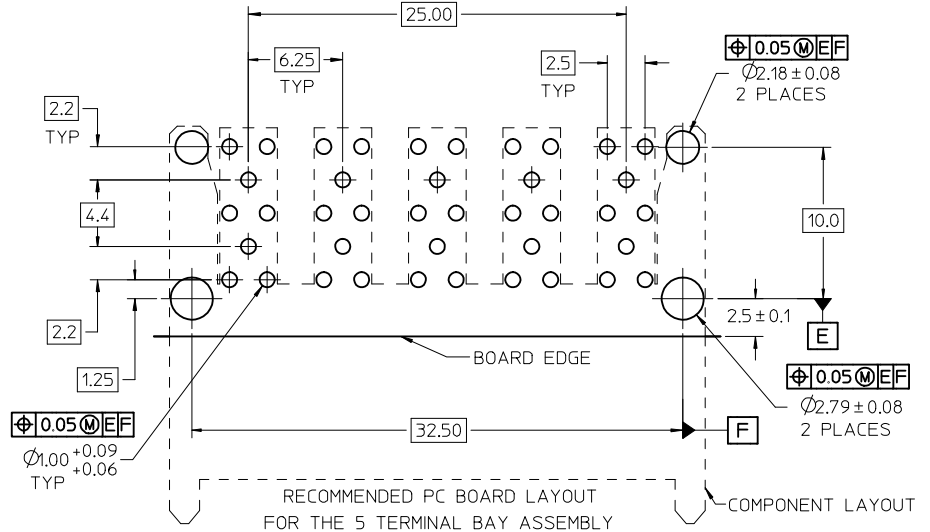
RECOMMENDED PC BOARD LAYOUT
FOR THE 4 TERMINAL BAY ASSEMBLY
COMPONENT SIDE OF BOARD
MINIMUM BOARD THICKNESS IS 2.36MM



RECOMMENDED PC BOARD LAYOUT
FOR THE 3 TERMINAL BAY ASSEMBLY
COMPONENT SIDE OF BOARD
MINIMUM BOARD THICKNESS IS 2.36MM

NOTES:

1. MATERIAL:
R/A HSG: GLASS FILLED LIQUID CRYSTAL POLYMER; COLOR: NATURAL
OVERMOLDED TERMINAL ASSEMBLY: GLASS FILLED HIGH TEMP PLASTIC
INSERT MOLDED TERMINAL: GLASS FILLED LIQUID CRYSTAL POLYMER; COLOR NATURAL
(ALL ABOVE HOUSINGS ARE UL 94V-0)
SLEEVE: BRASS
TERMINALS AND GROUNDS: TIN BRASS
DIE-CAST SHELLS: ZINC
2. FINISH:
TERMINALS:
SELECTIVE 0.76 MICRONS MIN. GOLD (Au) IN CONTACT AREA
SELECTIVE 0.88 MICRONS MIN. TIN (Sn) ALLOY IN THE PC TAIL AREA
BOTH OVER 1.27 MICRONS MIN. NICKEL (Ni) UNDERPLATE.
GROUNDS:
0.88 MICRONS MIN. TIN (Sn) ALLOY OVERALL
OVER 1.27 MICRONS MIN. NICKEL (Ni) UNDERPLATE.
DIE-CAST SHIELDS:
3.05 MICRONS MIN. BRIGHT TIN (Sn) ALLOY OVER
1.27 MICRONS MIN. NICKEL (Ni) ALLOY OVER:
BOTH OVER 8.13 MICRONS MIN. COPPER (Cu) UNDERPLATE.
3. REFER TO PS-74854-001 PRODUCT SPEC FOR ALL ELECTRICAL, MECHANICAL AND ENVIRONMENTAL SPECIFICATIONS.
4. REFER TO PK-74642-001 FOR ALL PACKAGING SPECIFICATIONS.
5. THESE PARTS CONFORM TO MOLEX COSMETIC SPECIFICATION PS-45499-002 CLASS B, EXCEPT ON THE PLASTIC PEGS, CLASS C



RECOMMENDED PC BOARD LAYOUT
FOR THE 5 TERMINAL BAY ASSEMBLY
COMPONENT SIDE OF BOARD
MINIMUM BOARD THICKNESS IS 2.36MM

| | | | | | | | | | | | | | | | | | | | | | |
|---|---|--|--------|-------|------|----------|-------|-------|----------|-------|-------|----------|--------|-------|---------|--------|-------|--------------|------------------------|------------------------|--------------------|
| ADD NOTE 5 EC NO: JCP2009-0995 DRWN: JMENDOZA 2008/10/21 CHKD: 2008/10/21 APPR: JBINGHAM 2008/10/21 | QUALITY SYMBOLS | GENERAL TOLERANCES (UNLESS SPECIFIED) <table border="1"> <tr> <td></td> <td>mm</td> <td>INCH</td> </tr> <tr> <td>4 PLACES</td> <td>± ---</td> <td>± ---</td> </tr> <tr> <td>3 PLACES</td> <td>± ---</td> <td>± ---</td> </tr> <tr> <td>2 PLACES</td> <td>± 0.13</td> <td>± ---</td> </tr> <tr> <td>1 PLACE</td> <td>± 0.25</td> <td>± ---</td> </tr> </table> ANGULAR ± 2 ° | | mm | INCH | 4 PLACES | ± --- | ± --- | 3 PLACES | ± --- | ± --- | 2 PLACES | ± 0.13 | ± --- | 1 PLACE | ± 0.25 | ± --- | SCALE 4:1 | DESIGN UNITS METRIC | THIRD ANGLE PROJECTION | REVISE ON CAD ONLY |
| | | | mm | INCH | | | | | | | | | | | | | | | | | |
| | 4 PLACES | | ± --- | ± --- | | | | | | | | | | | | | | | | | |
| | 3 PLACES | | ± --- | ± --- | | | | | | | | | | | | | | | | | |
| | 2 PLACES | | ± 0.13 | ± --- | | | | | | | | | | | | | | | | | |
| 1 PLACE | ± 0.25 | ± --- | | | | | | | | | | | | | | | | | | | |
| ▽ 0 | DIMENSION STYLE MM ONLY | TITLE SALES DRAWING FOR R/A GANGED RF CONNECTOR ASSEMBLIES | | | | | | | | | | | | | | | | | | | |
| ▽ 0 | DRAWN BY J. LONG | DATE 01-02-08 | | | | | | | | | | | | | | | | | | | |
| | CHECKED BY J. LONG | DATE 01-02-08 | | | | | | | | | | | | | | | | | | | |
| | APPROVED BY REGNIER | DATE 01-03-20 | | | | | | | | | | | | | | | | | | | |
| | DRAFT WHERE APPLICABLE MUST REMAIN WITHIN DIMENSIONS | MATERIAL NO. SEE CHARTS SD-74642-001 | | | | | | | | | | | | | | | | | | | |
| | | DOCUMENT NO. SD-74642-001 | | | | | | | | | | | | | | | | | | | |
| | | SHEET NO. 4 OF 4 | | | | | | | | | | | | | | | | | | | |
| | THIS DRAWING CONTAINS INFORMATION THAT IS PROPRIETARY TO MOLEX INCORPORATED AND SHOULD NOT BE USED WITHOUT WRITTEN PERMISSION | | | | | | | | | | | | | | | | | | | | |