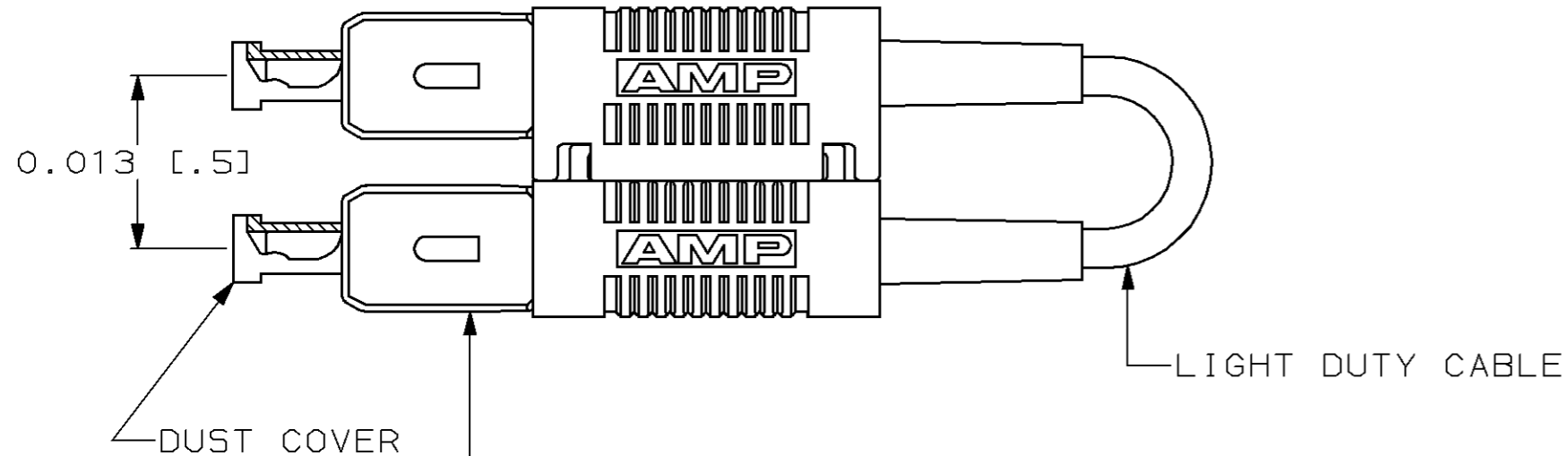


THIS DRAWING IS UNPUBLISHED. RELEASED FOR PUBLICATION, 19 .
 © COPYRIGHT 19 BY AMP INCORPORATED. ALL INTERNATIONAL RIGHTS RESERVED.

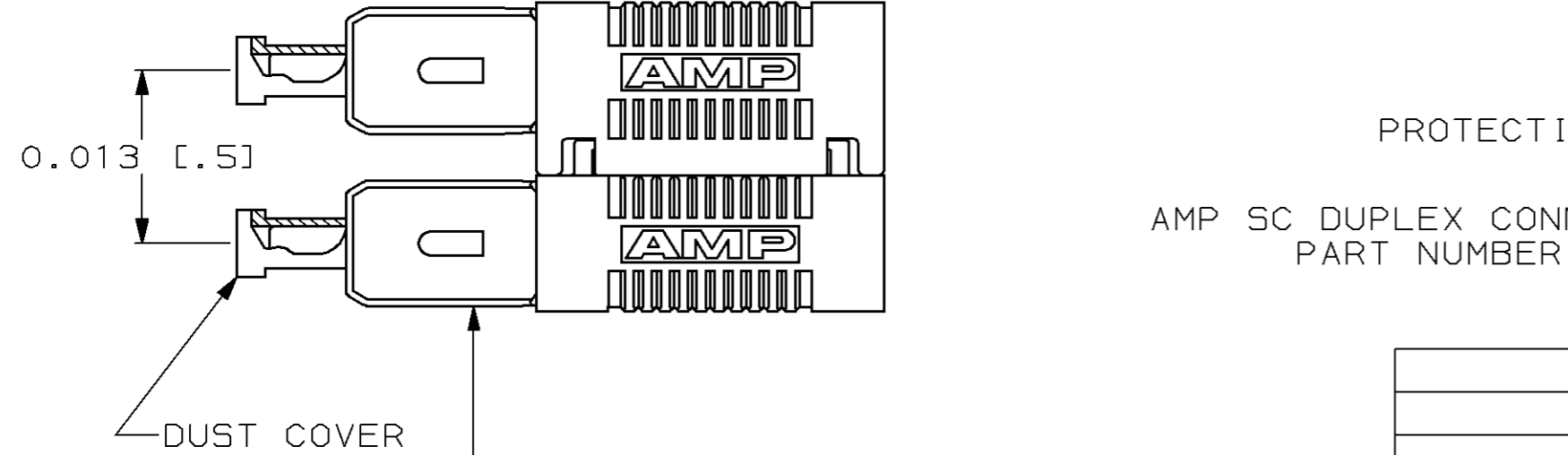
LOC	DIST	P	F	ZONE	LTR	REVISIONS	DATE	APPD
CE	16				H	REVISE PER 0A00-0521-98	29SEP98	CK/MK

503141-1



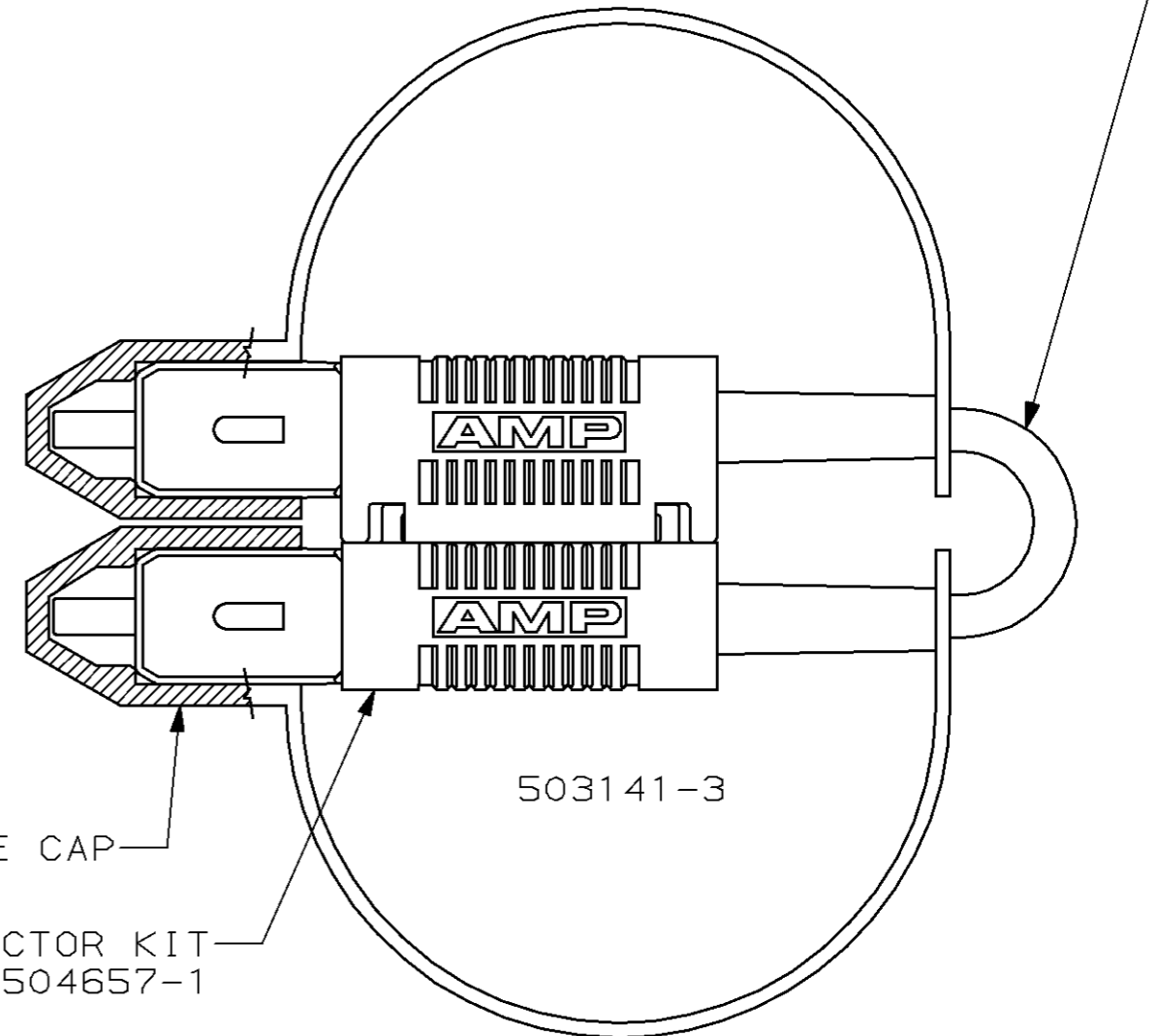
AMP SC DUPLEX CONNECTOR KIT
 PART NUMBER: 504657-1

503141-2



AMP SC DUPLEX CONNECTOR KIT
 PART NUMBER: 504657-1

LIGHT DUTY CABLE



PROTECTIVE CAP
 AMP SC DUPLEX CONNECTOR KIT
 PART NUMBER: 504657-1

1. DIMENSIONS IN [] ARE IN INCHES.

METRIC

THIS DRAWING IS A CONTROLLED DOCUMENT FOR AMP INCORPORATED. IT IS SUBJECT TO CHANGE AND THE CONTROLLING ENGINEERING ORGANIZATION SHOULD BE CONTACTED FOR THE LATEST REVISION.

0.6 dB	62.5/125µm	503141-3
0.8 dB	50/125µm	503141-2
0.6 dB	62.5/125µm	503141-1
MAXIMUM INSERTION LOSS	FIBER SIZE	PART NUMBER

DO NOT SCALE PRINT. UNLESS SPECIFIED DIMENSIONS IN METERS [INCHES] TOLERANCES ON: 2 PLC DEC ± - 3 PLC DEC ± - ANGLES ± -	DR 10-1-92 R R SCHAFFER CHK 10-1-92 D STAKEM APPD 10-1-92 K NONROE APPD 10-1-92 R WEBER PRODUCT SPEC - APPLICATION SPEC - WEIGHT -	<p>AMP AMP Incorporated Harrisburg, PA 17105-3608</p> <p>NAME CONNECTOR ASSEMBLY, LOW LOSS LOOPBACK AMP SC (NG), OPTIMATE®</p> <p>SIZE B CAGE CODE 00779 DRAWING NO C-503141 SCALE NTS SHEET 1 OF 1</p>
--	--	--