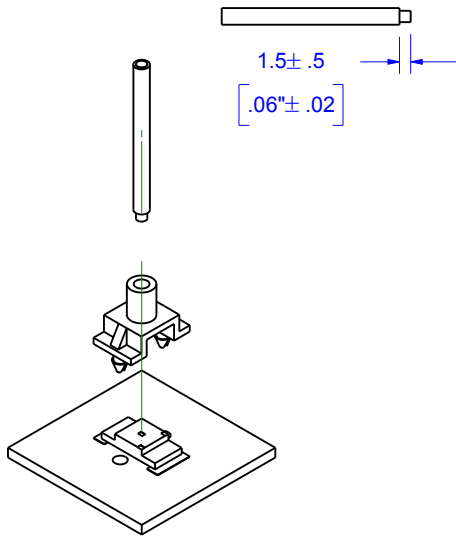


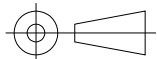
© COPYRIGHT 2014 BY INDUSTRIAL FIBER OPTICS, INC.
ALL RIGHTS RESERVED.

LIGHT PIPE PREPARATION / INSTALLATION:



NOTES:

1. ROHS COMPLIANT
2. UL 94V-2 FLAMMABILITY RATING
3. -40°C TO 85°C OPERATING TEMPERATURE
4. SUITABLE FOR LIGHT PIPE WITH $\varnothing 2.2\text{mm}$ JACKET AND OPTICAL CORE NO GREATER THAN $\varnothing 1.5\text{mm}$
5. DO NOT INSTALL PRIOR TO SOLDERING
6. FOR BEST RESULTS USE ONLY NARROW VIEWING ANGLE NON-DIFFUSED LEDS WITH OUTPUT POWER GREATER THAN 100mcd
7. NOT RECOMMENDED FOR DATA COMMUNICATIONS



METRIC

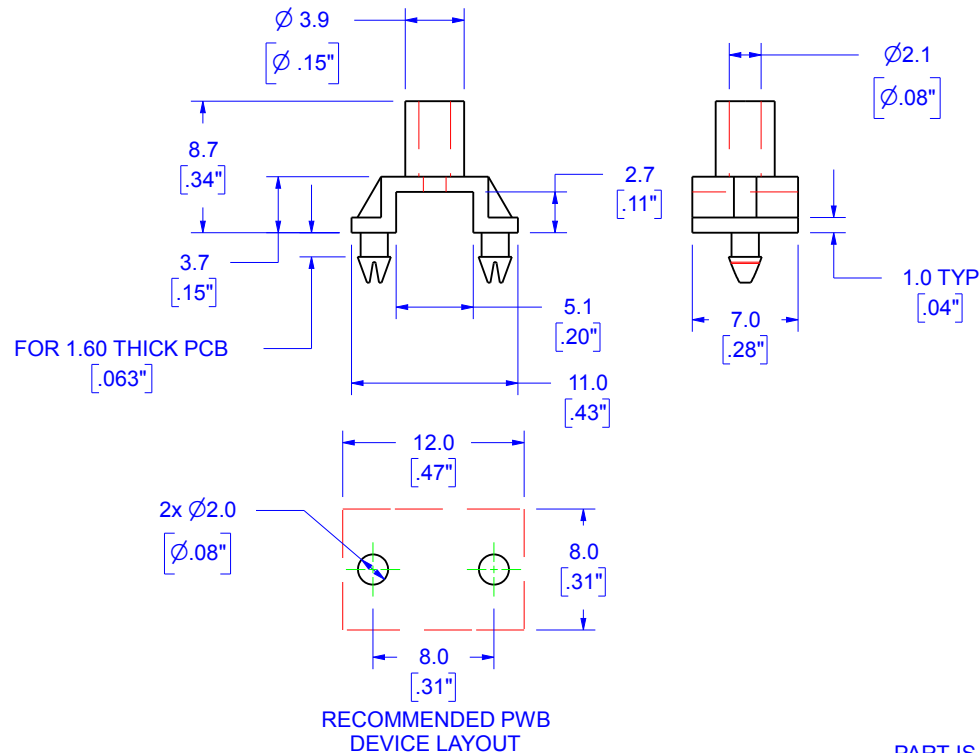
UNLESS OTHERWISE SPECIFIED
DIMENSIONS MILLIMETERS [IN.]

DIMENSIONS ARE FOR
REFERENCE ONLY
NO TOLERANCES MAY BE
IMPLIED FROM THIS DOCUMENT

PRODUCT	51 0410
MATERIAL	Nylon 66
FINISH	None
DRAWN BY	B. Bidwell
DATE	7/22/2014
CHECKED BY	W. Rowe
DATE	7/22/2014

REVISIONS

REV	DESCRIPTION	ECO	DATE	DWN	APVD
A	Initial release		11/12/2008	BB	RD
B	Revised strip length from $1.0 \pm .25$	0034	9/17/2009	BB	KS
B1	Redrew, added overall dimensions		7/21/2014	BB	WR



PART IS MADE OF BLACK NYLON

INDUSTRIAL FIBER OPTICS TEMPE, AZ 85281			
NAME SMT LED to Light Pipe			
SIZE A	SCALE 2:1	PART NUMBER 51 0310	REV B1
DO NOT SCALE DRAWING		Sheet 1 of 1	