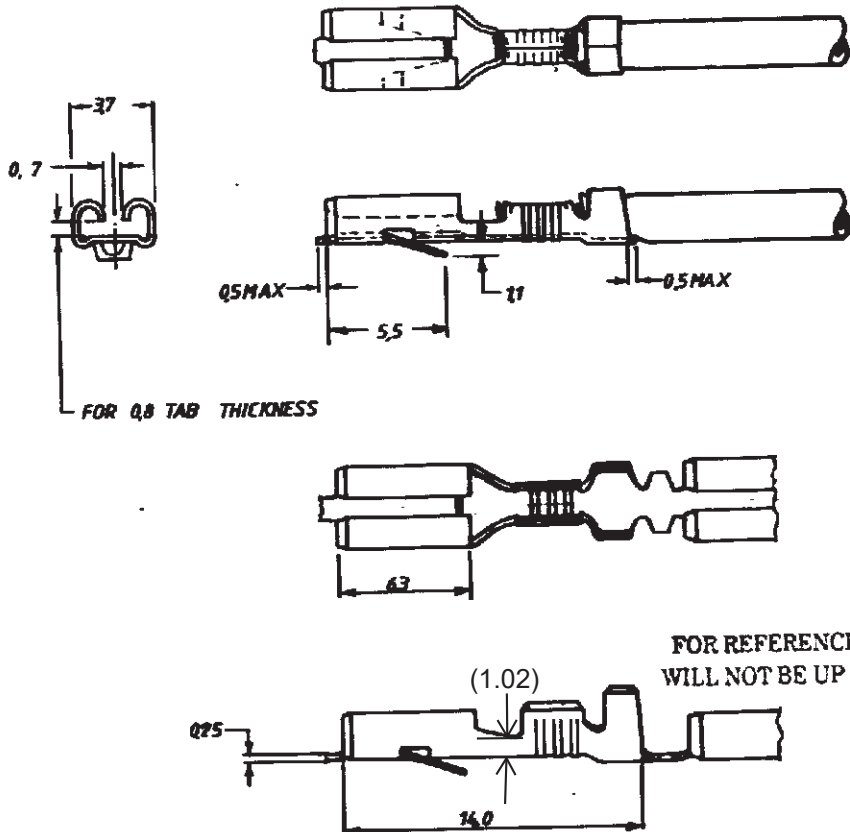


C-160922

BASED ON THE AMERICAN PROJECT ON

REVISIONS

LTR	DESCRIPTION	DATE	DWN	APVD
S	REVISED PER ECR-21-100765	4MAR2021	PC	DH



FOR REFERENCE ONLY
WILL NOT BE UP-DATED

NOTES

- 1 REELED WITH PAPER COVER.
- 2 FOR USE ON MINATURE APPLICATORS (L - R FEED) AND STANDARD APPLICATORS (R - L FEED)
- 3 OBSOLETE PARTS: OBSOLETE CIS STREAMLINING PER D.RENAUD/D.SINISI

CUSTOMER COPY FOR REFERENCE ONLY



TE Connectivity

16 0922-4	PH.BRONZE	TINPLATED
16 0922-3	PH.BRONZE	UNPLATED
16 0922-2	BRASS	TINPLATED
16 0922-1	BRASS	UNPLATED

ORDER NO.	MATERIAL	PLATING
Rv Lokven 15.09.07		
KK	29/09/09	

DRUM	REELS	REEL NO.
0.2-0.5	10-16 for FLXr	
NO	H	A
NO	C-160922	
	S	

.110 SRS FAST-IN-ON RECEPTACLE

ALL DIMENSIONS IN (MM) UNLESS OTHERWISE SPECIFIED