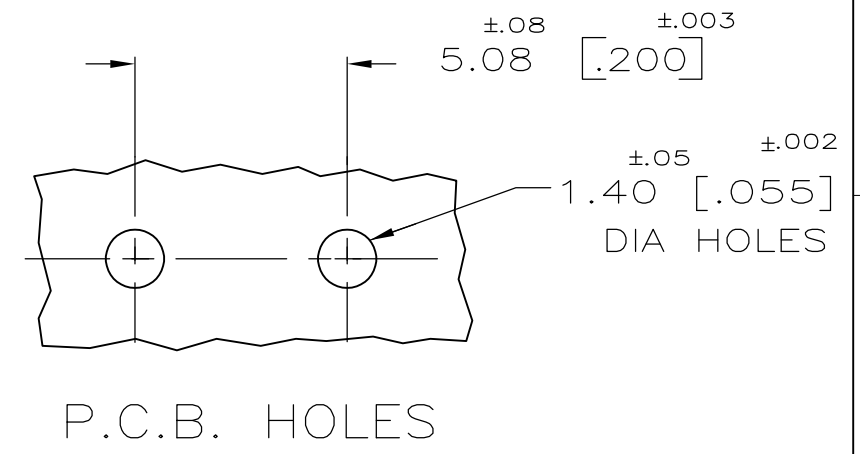
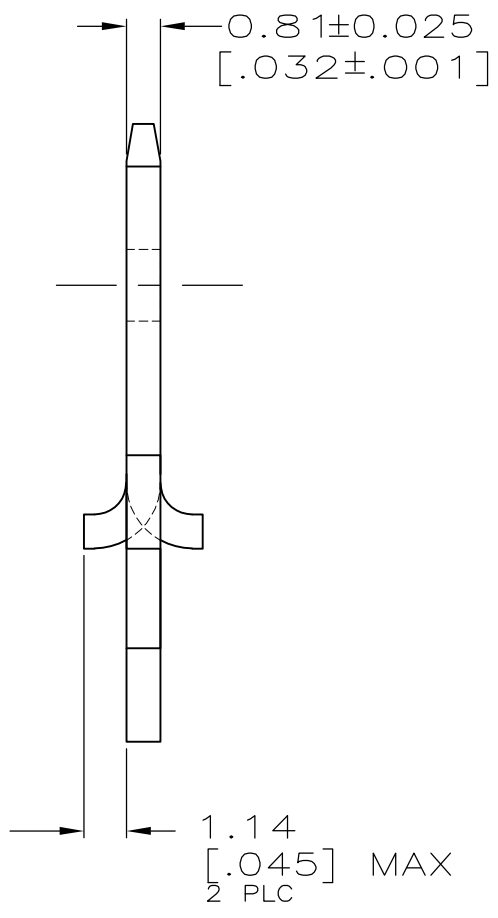
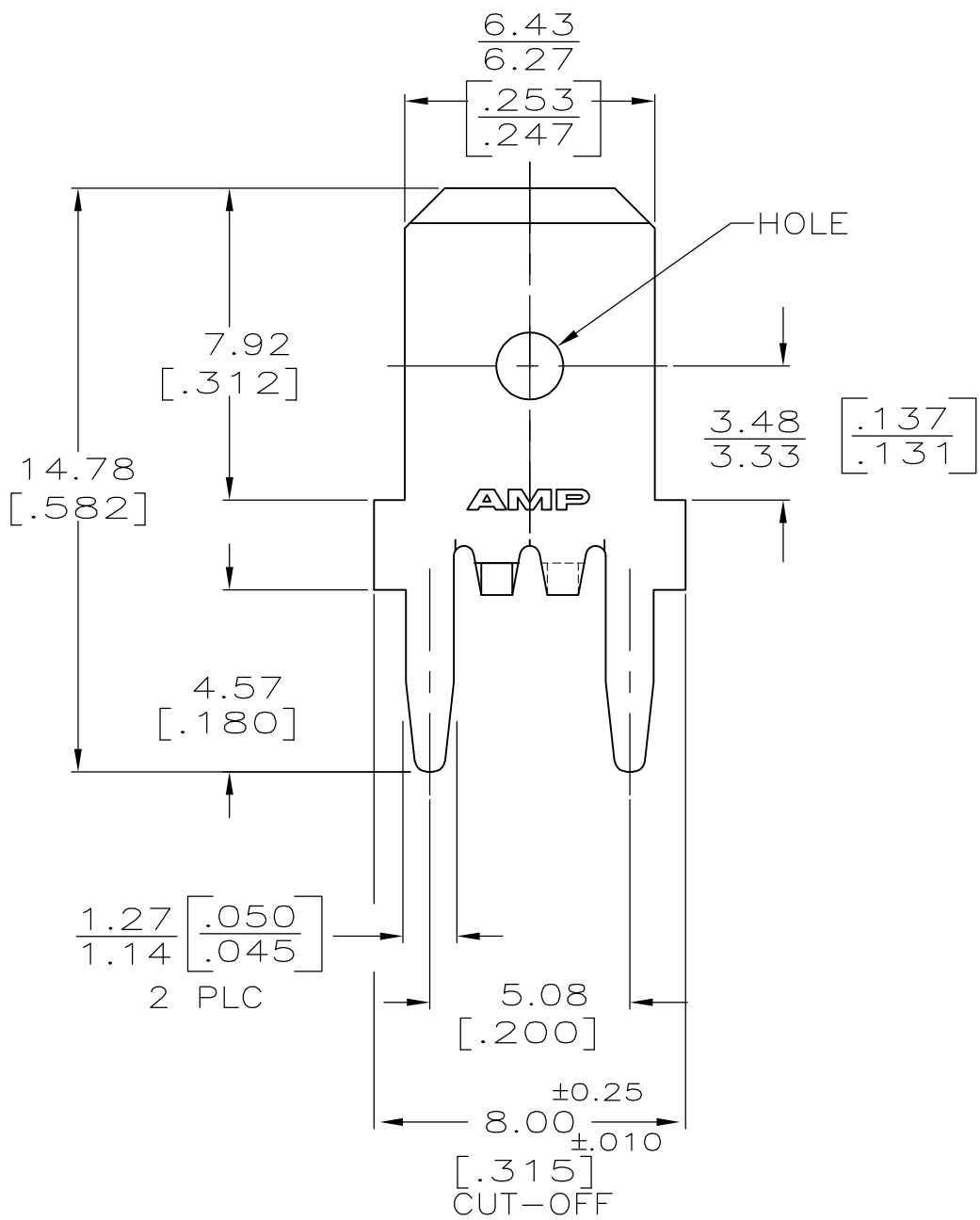


LOC	DIST	REVISIONS					
AF	50	P	LTR	DESCRIPTION	DATE	DWN	APVD
		C		REVISED PER ECR-13-001204	29JUN13	KH	PD

- 1 TIN PLATE 0.00381 [.000150] MIN OVER 0.00127 [.000050] MIN THK NICKEL, OR 0.00254 [.000100] MIN COPPER AS ALTERNATE UNDERPLATING.
- 2 SUPPLIED IN LOOSE PIECE



1217421-1
PART NO.

THIS DRAWING IS A CONTROLLED DOCUMENT.		DWN JR RUTH 23MAY00	STE TE Connectivity	
DIMENSIONS: mm [INCHES]		CHK MS FEHER 23MAY00		
TOLERANCES UNLESS OTHERWISE SPECIFIED:		APVD G PORTA 23MAY00	NAME	
0 PLC ± -		PRODUCT SPEC	TAB, P.C.BOARD, 6.35 [.250] SERIES	
1 PLC ± -		APPLICATION SPEC	SIZE	CAGE CODE
2 PLC ± 0.25 [.010]		114-2115	A3	00779
3 PLC ± -		WEIGHT	DRAWING NO	
4 PLC ± -		-	C-1217421	
ANGLES ± -		CUSTOMER DRAWING	RESTRICTED TO	-
MATERIAL BRASS	FINISH 1	SCALE 6:1		SHEET 1 OF 1
		REV C		