

PART NAME: KNOB

SCALE: 1:1

DATE: 5/18/95

DR. BY HD

THIS DRAWING IS THE PROPERTY OF DAVIES MOLDING COMPANY, IS SUBMITTED SOLELY AS A DESIGN OR ENGINEERING PROJECT. WE ACCEPT NO RESPONSIBILITY WHATSOEVER FOR THE PRACTICAL APPLICATION OF THE PIECES MADE TO THIS DESIGN.

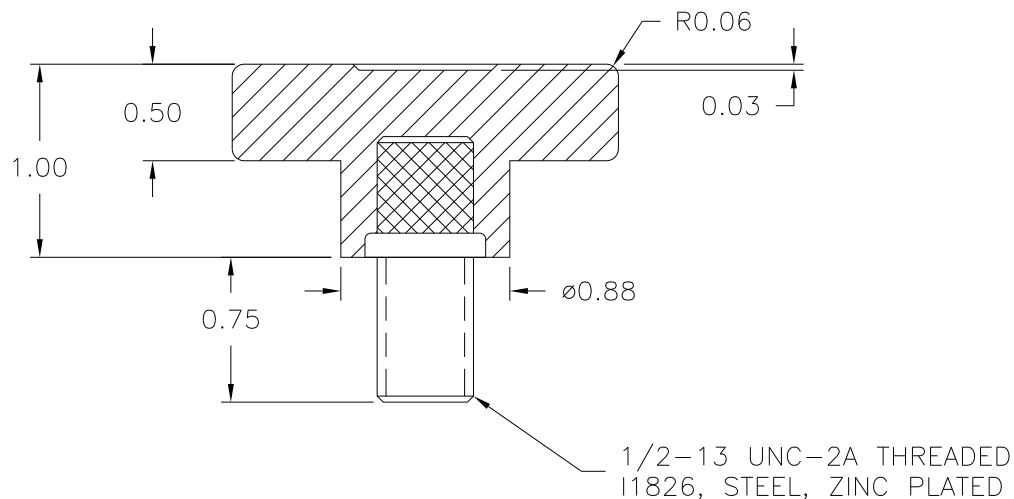
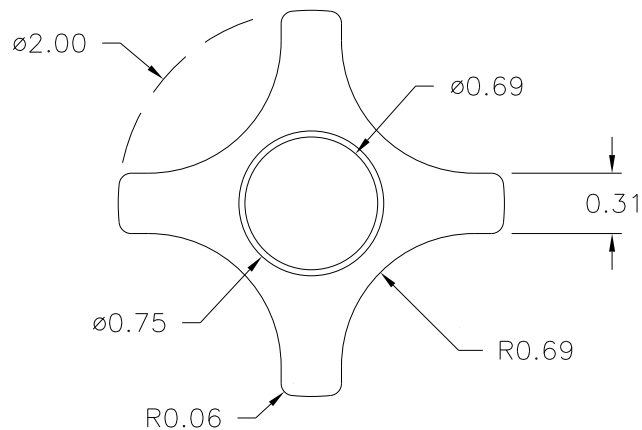


DESIGNERS & MANUFACTURERS OF KNOBS, HANDLES, CASES & CUSTOM PLASTIC COMPONENTS

P/N 2830CG

M^{NO.} 2890-2830

CAVITY	2830
PLUNGER	2830
PLUNGER PIN	2830
PINS	3000-J
LANDING BAR	.472
PIN PLATE SHIM	.498
SHIM	.018
INSERT	I1826



MATERIAL: G.P. PHENOLIC (B11)
COLOR: BLACK

TOLERANCES: UNLESS OTHERWISE SPECIFIED	DO NOT SCALE DRAWING			
DECIMALS: X.XXX ± .005 X.XX ± .015	MM: X.XX ± 0.15MM X.X ± 0.4MM	A	SHIM WAS .078	ST 5/14/01
FRACTIONS ± 1/64	ANG. ± 1°	-	REDRAWN	TL 11/19/99
CHANGES				