

Type LPM-04B-I In-Line Fuse Indicating Holder Mini. Auto Blade Fuses Waterproof



www.optifuse.com (619) 593-5050

Ratings:

- Fuse Type:** Mini Auto Blade – APM, ANM
- Electrical Rating:** see Wire Gauge table
- Body:** PVC
- Contacts:** Tin plated Brass
- IP Rating:** IP67
- With LED** warning light when fuse is opened.
- Standard Wire Gauges:** #12 ~ #18 AWG
- Standard Wire Colors:** Red
- Standard Body colors:** Black
- Standard Wire Length:** 4 inches

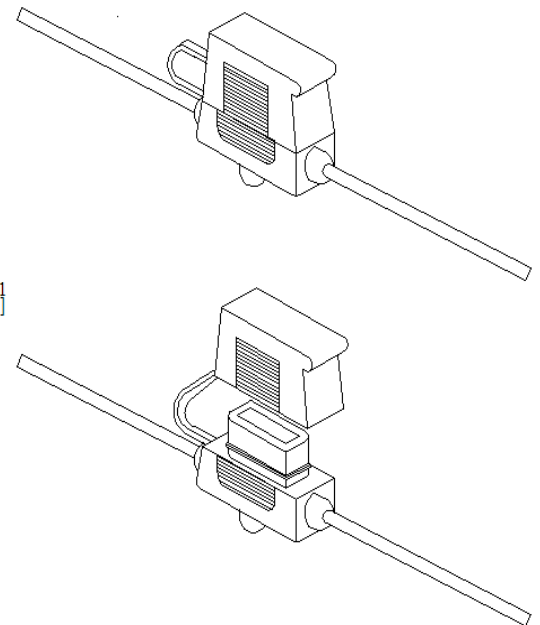
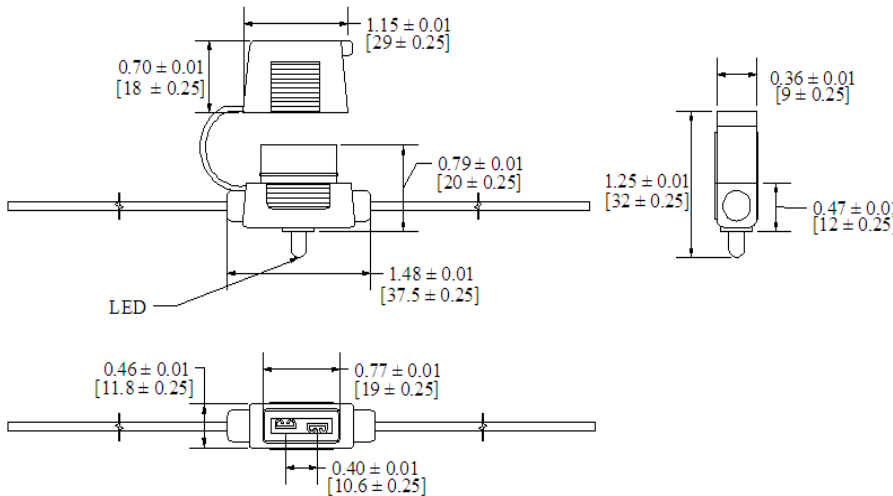
| Standard Wire Gauges | | |
|----------------------|-----------|------------|
| Wire Gauge | Rating | Wire Color |
| #12 | 30A 24VDC | Red |
| #14 | 20A 24VDC | Red |
| #16 | 15A 24VDC | Red |
| #18 | 10A 24VDC | Red |

**Part number format
LPM-04B-I-##R**

where ## = Wire gauge

Available in various wire gauges and lengths, and wire colors.
Contact factory for those not listed above.

Mechanical Dimensions: Inches [mm]



| | |
|------------------------|---|
| <p>Warning:</p> | <ul style="list-style-type: none"> -Operation beyond the specified maximum ratings or improper use may result in damage and possible electrical arcing and/or flame. -Avoid contact of device with chemical solvent. Prolonged contact may damage the device performance. -Not designed for prolonged liquid exposure or submersible applications. |
|------------------------|---|