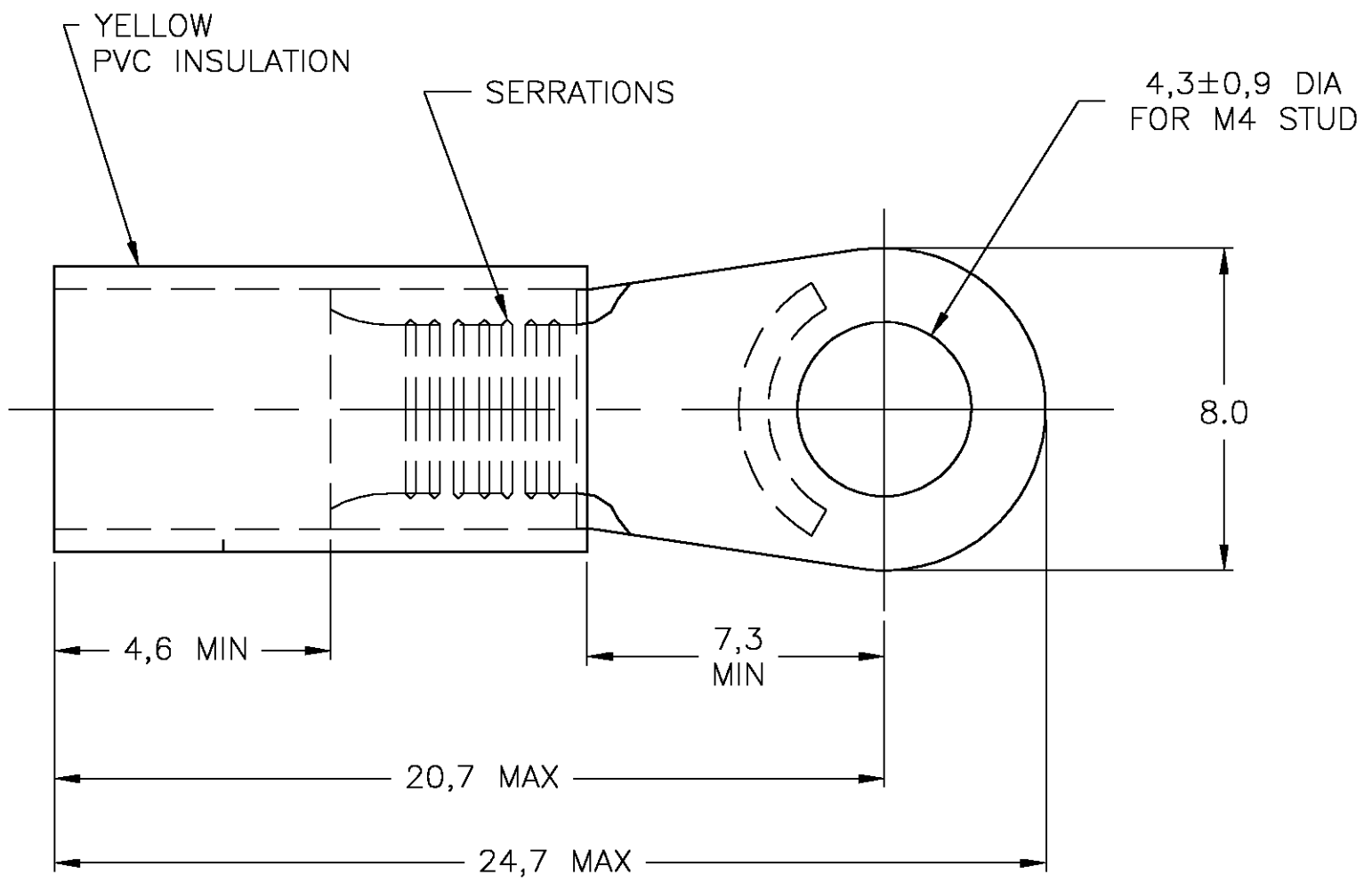


THIS DRAWING IS UNPUBLISHED. RELEASED FOR PUBLICATION
 © COPYRIGHT - BY TYCO ELECTRONICS CORPORATION. ALL RIGHTS RESERVED.

LOC	DIST	REVISIONS			
P	LTR	DESCRIPTION	DATE	DWN	APVD
H	02	E	REV PER 0G3A-0323-04	12MAY04	JR TM

- 1 TONGUE MATERIAL THK IS 1.0
- 2 INSULATION RANGE, 5,6 MAX DIA



165412-0
 PART NO.

THIS DRAWING IS A CONTROLLED DOCUMENT.		DWN jr_ruth 12MAY04	Tyco Electronics Corporation Harrisburg, Pa 17105-3608		
DIMENSIONS: mm		CHK T MICHELUTTI 12MAY04			
TOLERANCES UNLESS OTHERWISE SPECIFIED:		APVD T MICHELUTTI 12MAY04	PRODUCT SPEC		
0 PLC ± - 1 PLC ± 0,2 2 PLC ± 0,2 3 PLC ± - 4 PLC ± - ANGLES ± 1°		APPLICATION SPEC			RESTRICTED TO
MATERIAL COPPER		FINISH TIN PLATED	WEIGHT -	SIZE A3	CAGE CODE 00779
CUSTOMER DRAWING			DRAWING NO C-165412	SCALE 6:1	SHEET 1 OF 1
			REV E		