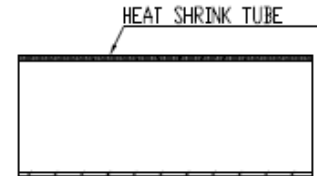
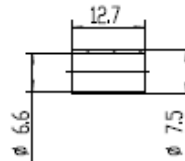
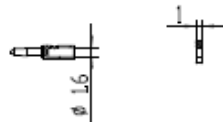
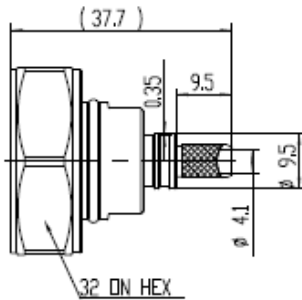
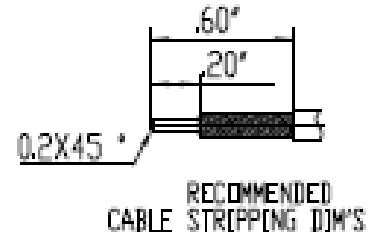


NOTICE OF PROPRIETARY RIGHTS THIS DOCUMENT CONTAINS CONFIDENTIAL TECHNICAL DATA, INCLUDING TRADE SECRETS, PROPRIETARY TO TIMES MICROWAVE SYSTEMS. DISCLOSURE OF THIS DATA IS EXPRESSLY CONDITIONED UPON YOUR ASSENT THAT ITS USE IS LIMITED TO USE WITHIN YOUR COMPANY ONLY. ANY OTHER USE IS STRICTLY PROHIBITED WITHOUT THE PRIOR WRITTEN CONSENT OF TIMES MICROWAVE SYSTEMS.

SYM	REVISION DESCRIPTION	DFTM	DATE	APPD	DATE
A	RELEASED FOR PRODUCTION	N.N.N	1/9/14	J.D.B.	1/10/14
B	CHANGED PER CDC #46350	N.N.N	4/20/17	J.D.B.	4/21/17



CONNECTOR ADDS: 21.9mm



REFERENCE STANDARD
 1. ELECTRIC PERFORMANCE
 NOMINAL IMPEDANCE(Ω)
 FREQUENCY RANGE
 VSWR
 INSERT LOSS(dB)
 INSULATION RESISTANCE(MΩ)
 PROOF VOLTAGE(V)
 CONTACT RESISTANCE(mΩ)

IEC61169-4
 50
 DC-6GHz
 ≤1.15(DC-3GHz)
 ≤1.30(3-6GHz)
 ≤ 0.1
 ≥10000
 1500
 OUTER CONDUCTOR <0.2
 INNER CONDUCTOR<0.8

2. MECHANICAL PERFORMANCE
 NUT TORQUE
 (NUT)WHORL PULL
 TENSILE FORCE(CABLE-CONNECTOR)
 TORSION(CABLE-CONNECTOR)

5N.m
 500N
 150N
 0.3N.m

3. MATERIAL AND PLATING
 INNER CONDUCTOR
 OUTER CONDUCTOR
 NUT
 FERRULE
 INSULATOR
 O-RING

SPRING COPPER Ag5μm
 BRASS COPPER-TIN-ZINC2μm
 BRASS Ni5μm
 COPPER COPPER-TIN-ZINC2μm
 PTFE
 SILICONE RUBBER

4. ENVIRONMENT
 TEMP.RANGE
 WEATHER STANDARD
 THERMAL SHOCK
 VIBRATION
 SHOCK
 WATERPROOFING STANDARD
 ROHS COMPLIANT

-40°C~+85°C
 IEC 60068 40 / 085/ 21
 IEC 60068 -2-14-Na
 IEC 60068-2-6-Fc
 IEC 60068-2-27
 IP67

5.ASSEMBLY: INNER CONDUCTOR SOLDERED AND OUTER CONDUCTOR CRIMPED

MATERIAL:	UNLESS OTHERWISE SPECIFIED		DFTM: N. N. N	TIMES MICROWAVE SYSTEMS			
	ALL DIMENSIONS ARE IN mm		DATE: 1/9/14				
USED ON: 0-0			CHKD: J. D. B.	TC-240-716M-X CONNECTOR, 7-16 Male for LMR-240			
			DATE: 1/10/14				
			APPD: J. D. B.				
SCALE: ~	DWG. SIZE: A	DO NOT SCALE DRAWING	CODE IDENT: 68999	DATE: 1/10/14	SHEET: 1 of 1	SD3190-2982	REV: B