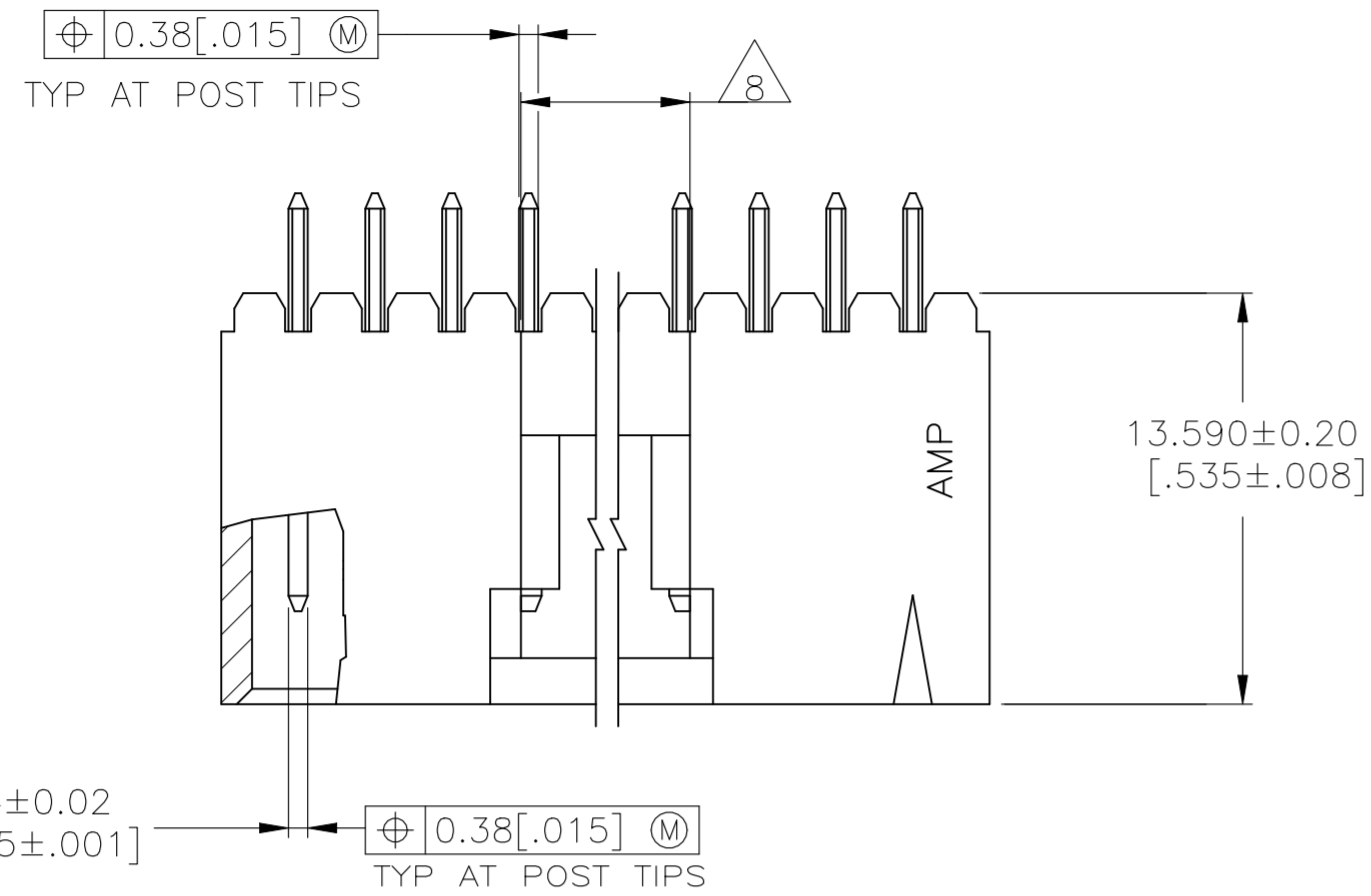
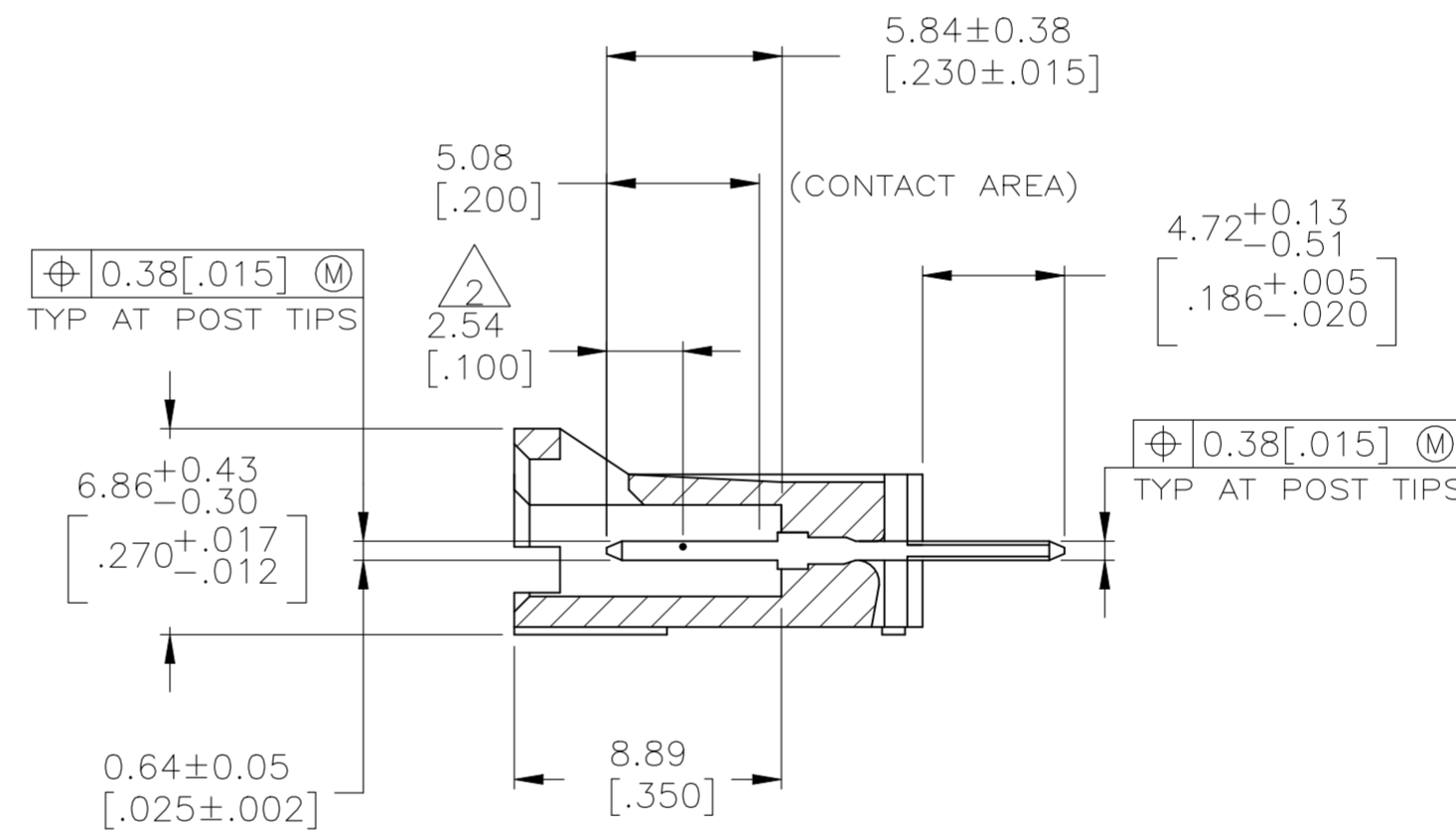
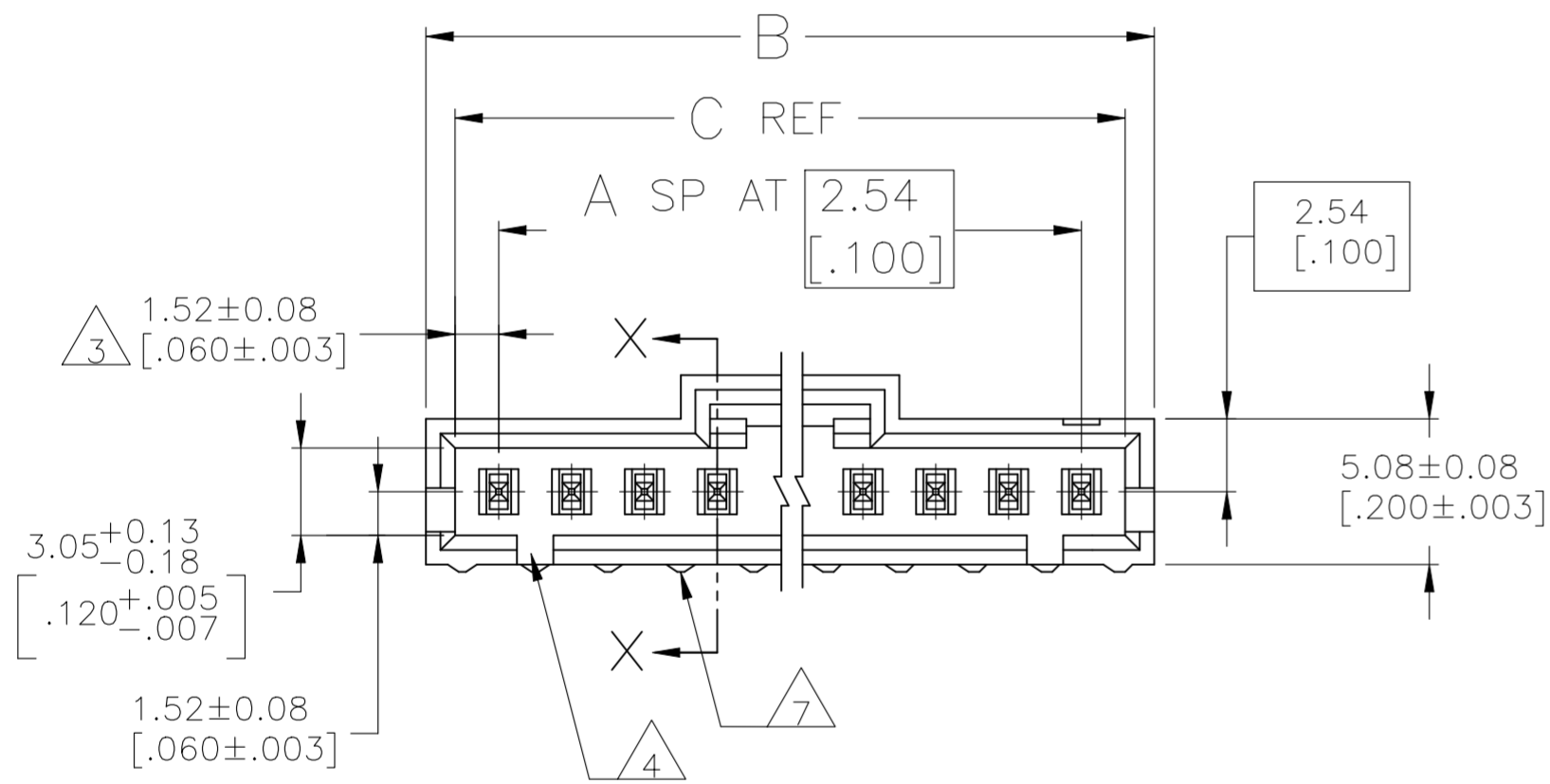


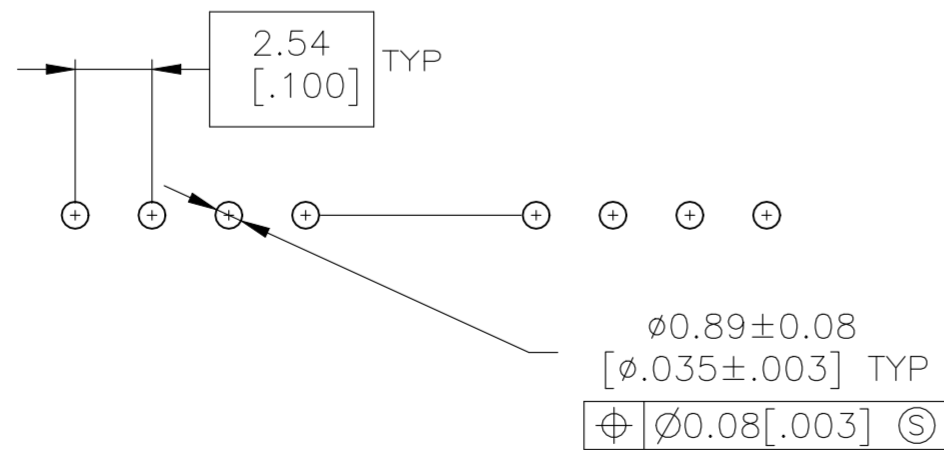
REVISIONS					
P	LTR	DESCRIPTION	DATE	DWN	APVD
H		REVISED PER ECO-20-001327	04JUN2020	SB	JO



- 1 .00038[.000015] GOLD IN THE CONTACT AREA, .00254[.000100] MATTE TIN-LEAD ON REMAINDER OF CONTACT, ALL OVER .00127[.000050] NICKEL.
- 2 POINT OF MEASUREMENT FOR PLATING THICKNESS.
- 3 THE NOTED DIMENSIONS APPLY AT THE INTERSECTION OF THE POST AND THE HOUSING.
- 4 ON ASSEMBLIES WITH FOUR OR MORE POSITIONS, TWO POLARIZATION SLOTS. ON ASSEMBLIES WITH TWO OR THREE POSITIONS, ONE POLARIZATION SLOT.
- 5 .00038[.000015] GOLD IN THE CONTACT AREA, .00254[.000100] MATTE TIN ON REMAINDER OF CONTACT, ALL OVER .00127[.000050] NICKEL.
- 6 HIGH TEMPERATURE CONFIGURATION.
- 7 STANDOFF NOT PRESENT ON UNDERSIDE OF ASSEMBLY
- 8 0.25 [.010] RECESS PERMISSIBLE IN THIS AREA FOR MOLD SHUT OFF



SECTION X-X



RECOMMENDED HOLE LAYOUT

REMARKS	PLATING	C	B	A	NO. OF POSN	PART NO.
		13.21 [.520]	15.11 [.595]	4	5	5-104911-1
		13.21 [.520]	15.11 [.595]	4	5	104911-1

THIS DRAWING IS A CONTROLLED DOCUMENT.

DIMENSIONS: mm [INCHES]	TOLERANCES UNLESS OTHERWISE SPECIFIED: 0 PLC ± - 1 PLC ± - 2 PLC ± 0.13[.005] 3 PLC ± - 4 PLC ± - ANGLES ± -	FINISH SEE TABLE	DWN E. BRANDBERG 13-6-94 CHK J.GESFORD 13-6-94 APVD J.GESFORD 13-6-94 PRODUCT SPEC 108-25034 APPLICATION SPEC 114-25026	NAME TE Connectivity	SIZE A2	CAGE CODE 00779	DRAWING NO C=104911	RESTRICTED TO -
----------------------------	--	---------------------	--	-------------------------	------------	--------------------	------------------------	--------------------

MATERIAL: HOUSING: FLAME RETARDANT LCP, COLOR - BLACK CONTACTS: BRASS

CUSTOMER DRAWING SCALE 4:1 SHEET 1 OF 1 REV H