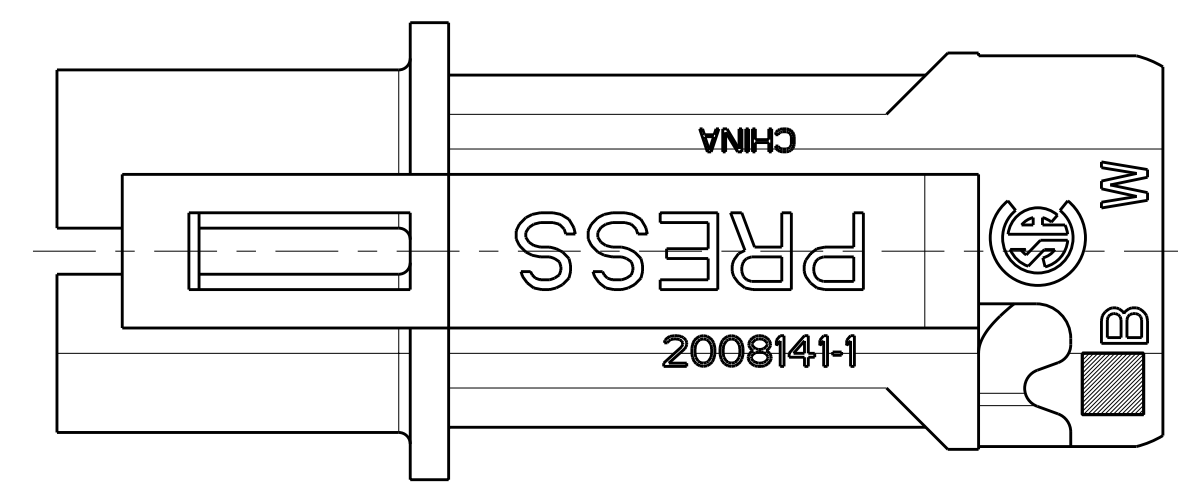
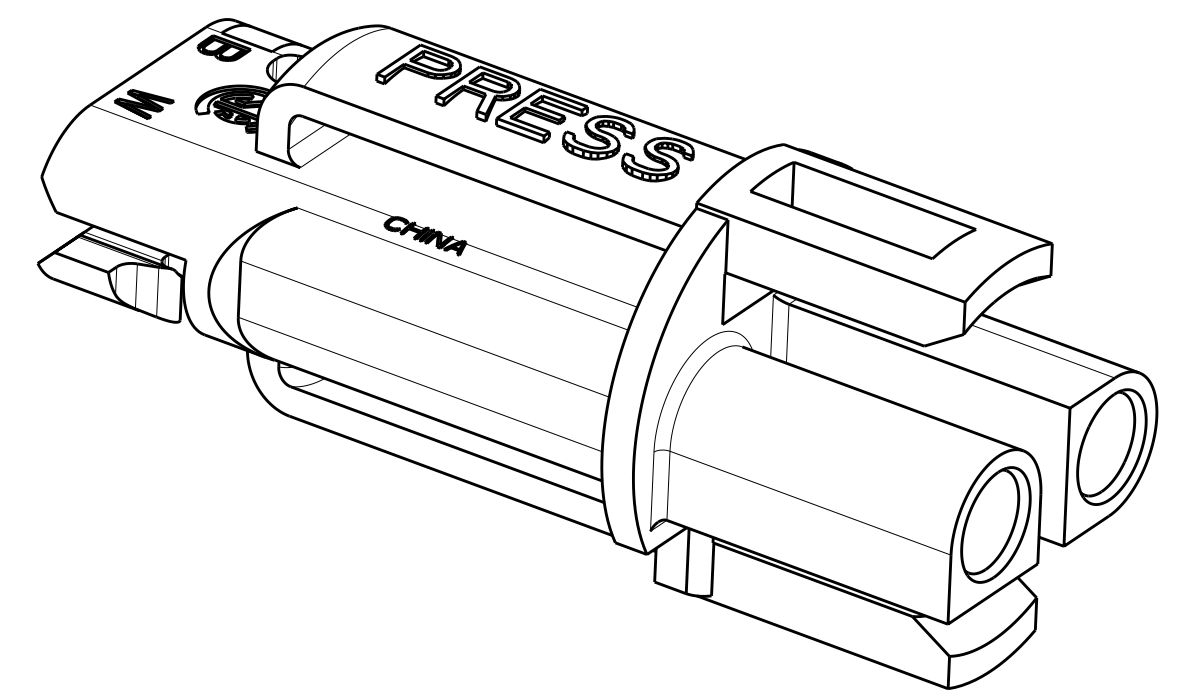
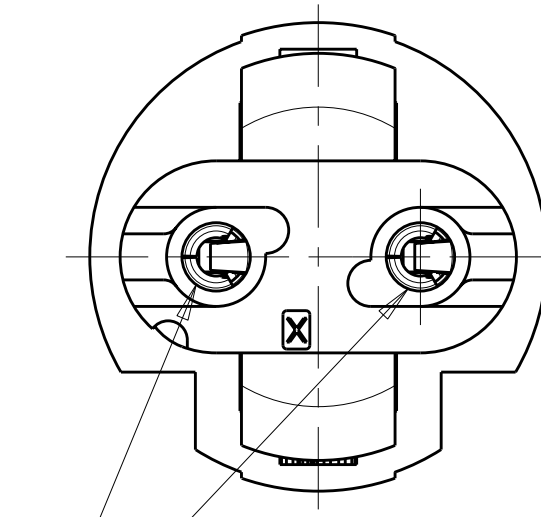
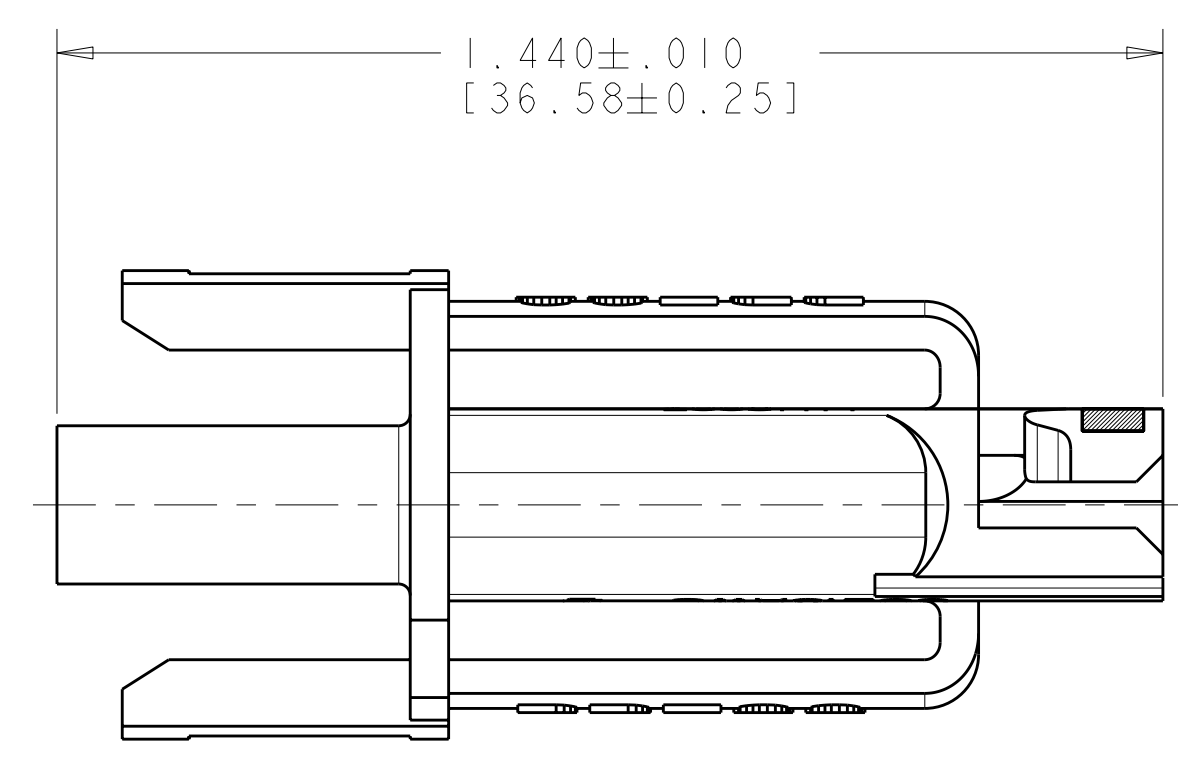
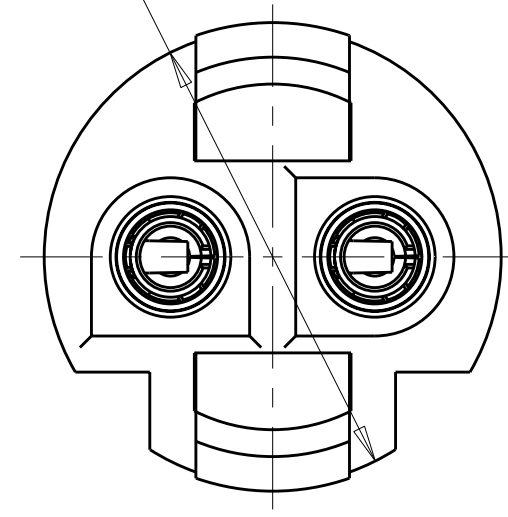


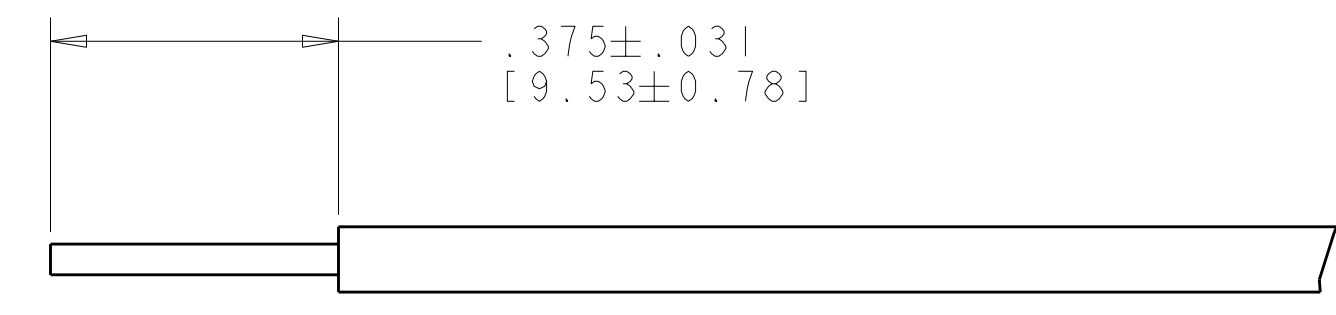
REVISONS		DESCRIPTION	DATE	DWN	APVD
P	LTR				
A2		REVISED PER ECO-09-028539	05JAN2010	SS	DD



$\varnothing .595 \pm .010$
 [15.11 ± 0.25]



ACCEPTS 18 AWG SOLID WIRE
 WITH .086 [2.18] MAX INSULATION DIAMETER



RECOMMENDED WIRE STRIP LENGTH

- △ MATERIAL:
 HOUSING: POLYAMIDE, COLOR: NATURAL
 CONTACTS: PHOSPHOR BRONZE
 INK: BLACK
- △ FINISH:
 CONTACTS: TIN PLATED
- 3. SEE INSTRUCTION SHEET: 408-10153

UNMARKED	2008141-2
MARKED	2008141-1
REMARKS	PART NUMBER

<small>THIS DRAWING IS UNPUBLISHED. RELEASED FOR PUBLICATION BY TYCO ELECTRONICS CORPORATION. IT IS SUBJECT TO CHANGE WITHOUT NOTICE AND WITHOUT OBLIGATION. SHOULD BE CONTACTED FOR THE LATEST REVISION.</small>		DWN: C. DAILY 20APR2007 CHK: J. LANDIS APVD:	Tyco Electronics Harrisburg, PA 17105-3608
DIMENSIONS: IN [mm]	TOLERANCES UNLESS OTHERWISE SPECIFIED: 9 PLC ± 8 PLC ± 5 PLC ± 4 PLC ± ANGLES ±	PRODUCT SPEC: 108-2275 APPLICATION SPEC: 114-13204 WEIGHT:	NAME: ASSEMBLY, PLUG, 2 POSITION, PT LIGHT-N-LOK SIZE: A 00779 C=2008141 RESTRICTED TO:
MATERIAL: △ FINISH: △		CUSTOMER DRAWING	SCALE: 4:1 SHEET 1 OF 1 REV A2