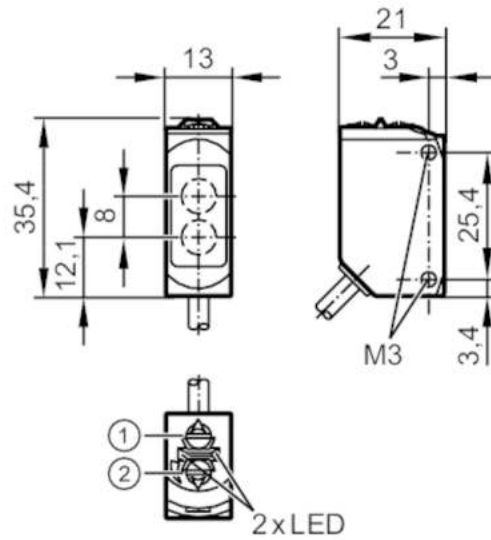


O6T204



Diffuse reflection sensor

O6T-FNKG



- 1: output function switch
 2: potentiometer sensitivity receiver in upper lens transmitter in lower lens



Product characteristics

Type of light	red light
Housing	rectangular

Application

Function principle	Diffuse reflection sensor
--------------------	---------------------------

Electrical data

Operating voltage	[V]	10...30 DC
Current consumption	[mA]	16; ((24 V))
Protection class		III
Reverse polarity protection		yes
Type of light		red light
Wave length	[nm]	633

Outputs

Electrical design		NPN
Output function		light-on/dark-on mode; (selectable)
Max. voltage drop switching output DC	[V]	2.5
Permanent current rating of switching output DC	[mA]	100
Switching frequency DC	[Hz]	1000
Short-circuit protection		yes
Type of short-circuit protection		pulsed

Detection zone

Range	[mm]	5...500; (white paper 200 x 200 mm 90% remission)
-------	------	---

O6T204



Diffuse reflection sensor

O6T-FNKG

Setting range	[mm]	100...500
Range adjustable		yes
Max. light spot diameter	[mm]	15
Light spot dimensions refer to		at maximum range

Operating conditions

Ambient temperature	[°C]	-25...60
Protection		IP 65; IP 67

Tests / approvals

EMC		EN 60947-5-2
MTTF	[years]	897
UL approval	UL Approval no.	E008

Mechanical data

Weight	[g]	60
Housing		rectangular
Dimensions	[mm]	35.4 x 13 x 21
Materials		housing: ABS; PPSU; Sealing: EPDM
Lens material		PMMA
Lens alignment		side lens
Tightening torque	[Nm]	0.5

Displays / operating elements

Display	switching status	1 x LED, yellow
	operation	1 x LED, green

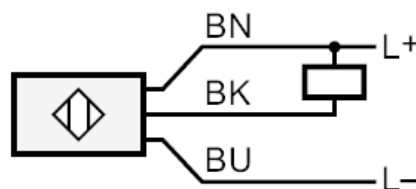
Remarks

Remarks	operating voltage "supply class 2" according to cULus
Pack quantity	1 pcs.

Electrical connection

Cable: 2 m, PUR; 3 x 0.25 mm²

Connection



	Core colours :
BN =	brown
BK =	black
BU =	blue

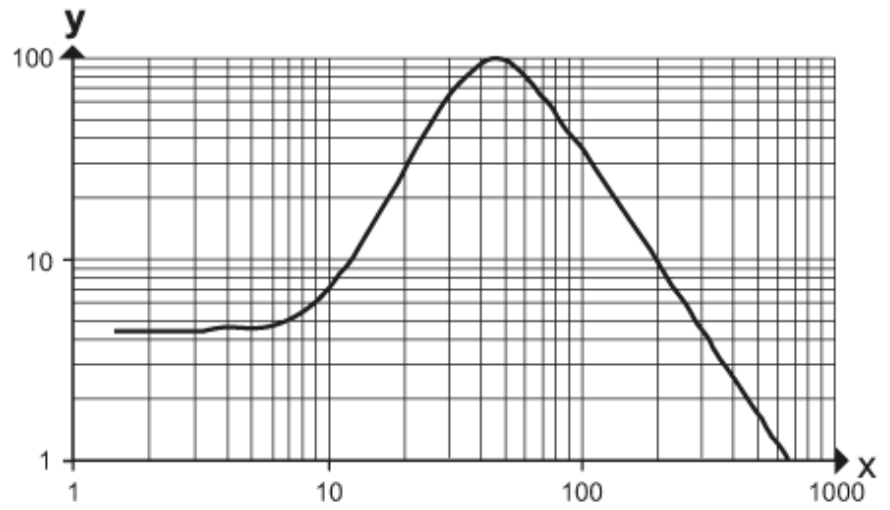


Diffuse reflection sensor

O6T-FNKG

Diagrams and graphs

excess gain graph



x: distance [mm]

y: excess gain factor