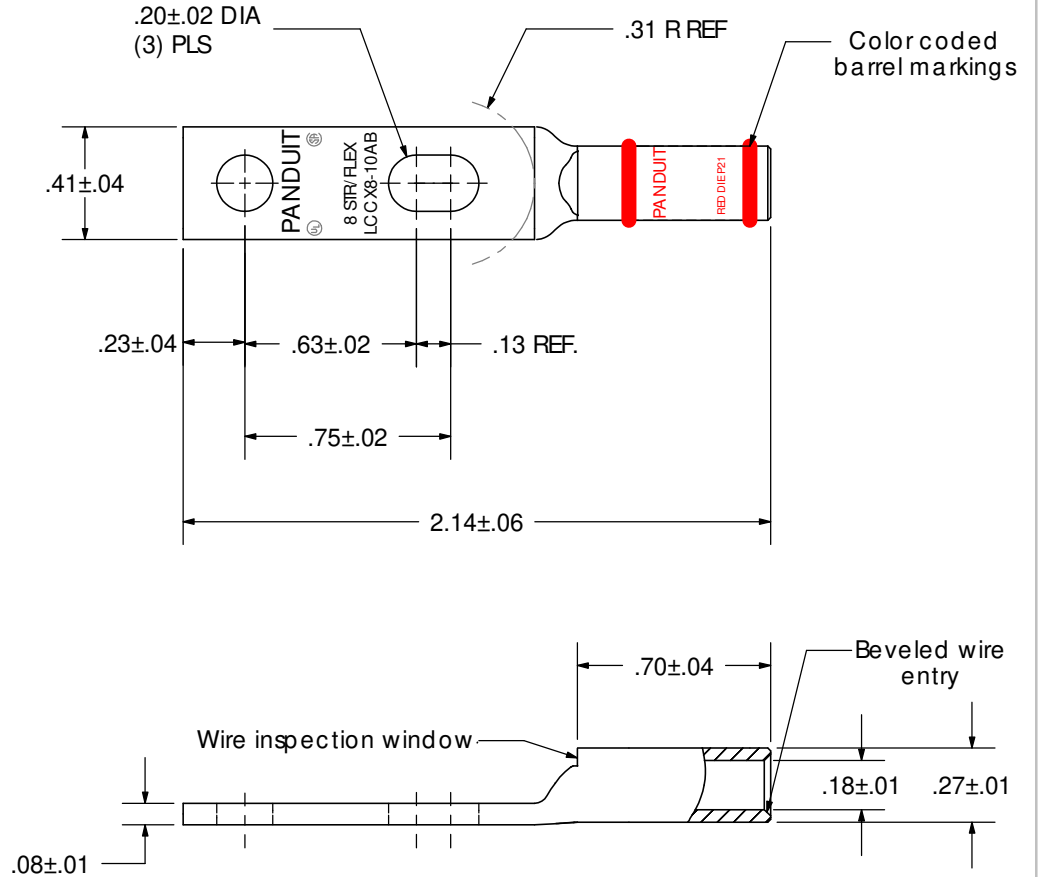


THIS COPY IS PROVIDED ON A RESTRICTED BASIS AND IS NOT TO BE USED IN ANY WAY DETRIMENTAL TO THE INTERESTS OF PANDUIT CORP.

Material	High Conductivity Seamless Copper Tube
Plating	Electro-Tin
Wire Size	8 STR/FLEX
Wire Type	Stranded Copper: Class B & C Compact, Class G, H, I, K, M, Locomotive
Wire Strip Length	3/4 in.
Stud Size	# 10
UL Listed Wire Connector	Yes, for applications up to 35kv. Consult cable manufacturer for voltage stress relief instructions with applications greater than 2000 volts.
UL Temperature Rating	90° C
C.SA Certified Wire Connector	Yes
Panduit Color Code on Barrel	RED
Panduit Die Index No. on Barrel	P21
Alternate Industry Die Index No. ( ) on Barrel	N/A



**PANDUIT** CORP. TINLEY PARK, ILLINOIS

LCCX8-10AB-L  
Copper Lug - Sotted Two-Hole, Long Flex Barrel with Window

00	1/05	JHNUCSH	RELEASED	12394
REV	DATE	BY	CHK	DESCRIPTION

SCALE	N/A	DRAWING NO / CAD FILE	LCCX8-10AB-CUST
-------	-----	-----------------------	-----------------