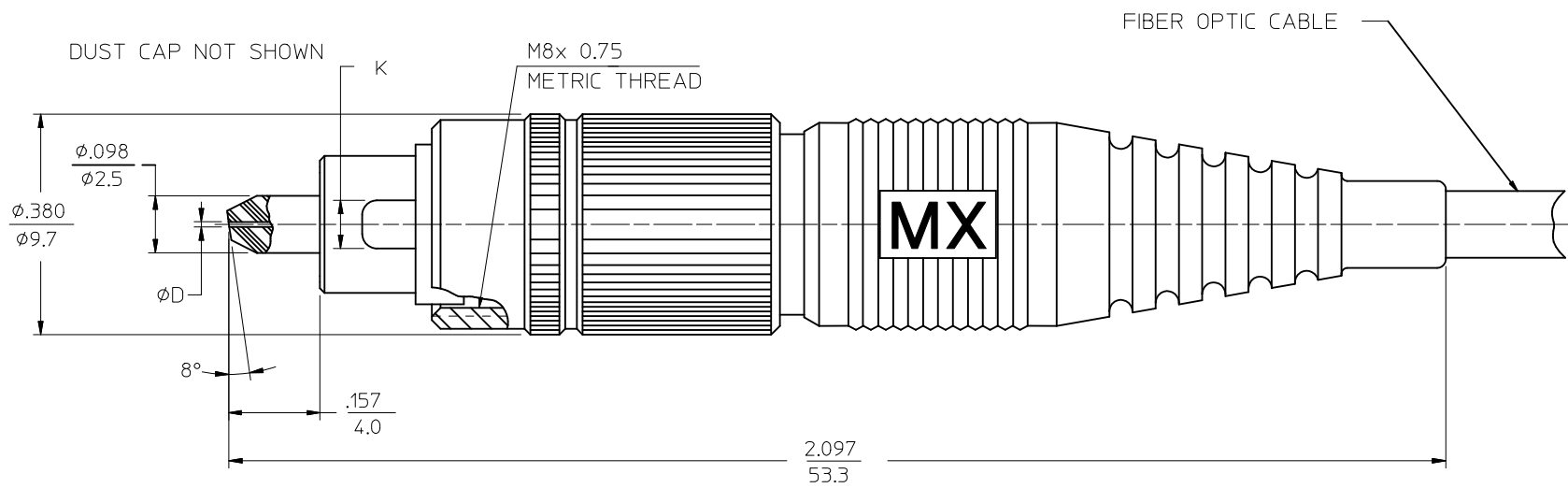


CONNECTOR P/N	ØD(mm)	K (KEY)	TYPE OF FIT	CABLE DIAMETER (mm)
106056-2000	.1255	$\frac{.083}{2.1}$	STANDARD	3
106055-2000		$\frac{.0785}{2.0}$	TIGHT	
106056-4000	.125	$\frac{.083}{2.1}$	STANDARD	
106055-4000		$\frac{.0785}{2.0}$	TIGHT	
106056-5000	.126	$\frac{.083}{2.1}$	STANDARD	2.4
106055-5000		$\frac{.0785}{2.0}$	TIGHT	
106056-5300		$\frac{.083}{2.1}$	STANDARD	



ENTER DESCRIPTION EC NO: MF2010-0066 DRW: MKPEVZNER CHKD: 2009/08/13 APPR: LGUMIN 2009/08/17	QUALITY SYMBOLS =0 =0	GENERAL TOLERANCES (UNLESS SPECIFIED)		DIMENSION STYLE IN/MM		SCALE 5:1	DESIGN UNITS INCH	THIRD ANGLE PROJECTION																
		<table border="1"> <thead> <tr> <th></th> <th>mm</th> <th>INCH</th> </tr> </thead> <tbody> <tr> <td>4 PLACES</td> <td>± .005</td> <td>± .0005</td> </tr> <tr> <td>3 PLACES</td> <td>± .004</td> <td>± .0004</td> </tr> <tr> <td>2 PLACES</td> <td>± .003</td> <td>± .0003</td> </tr> <tr> <td>1 PLACE</td> <td>± .002</td> <td>± .0002</td> </tr> </tbody> </table>			mm	INCH	4 PLACES	± .005	± .0005	3 PLACES	± .004	± .0004	2 PLACES	± .003	± .0003	1 PLACE	± .002	± .0002	DRAWN BY: PGIBLIN DATE: 2005/10/24		TITLE FCII APC CONNECTOR 3.0MM			
			mm	INCH																				
		4 PLACES	± .005	± .0005																				
3 PLACES	± .004	± .0004																						
2 PLACES	± .003	± .0003																						
1 PLACE	± .002	± .0002																						
ANGULAR ±1/2°		CHECKED BY: _____ DATE: _____		MOLEX INCORPORATED																				
DRAFT WHERE APPLICABLE MUST REMAIN WITHIN DIMENSIONS		MATERIAL NO. SEE TABLE		APPROVED BY: _____ DATE: _____		DOCUMENT NO. SD-10605X-XX00		SHEET NO. 1 OF 01																
THIS DRAWING CONTAINS INFORMATION THAT IS PROPRIETARY TO MOLEX INCORPORATED AND SHOULD NOT BE USED WITHOUT WRITTEN PERMISSION																								