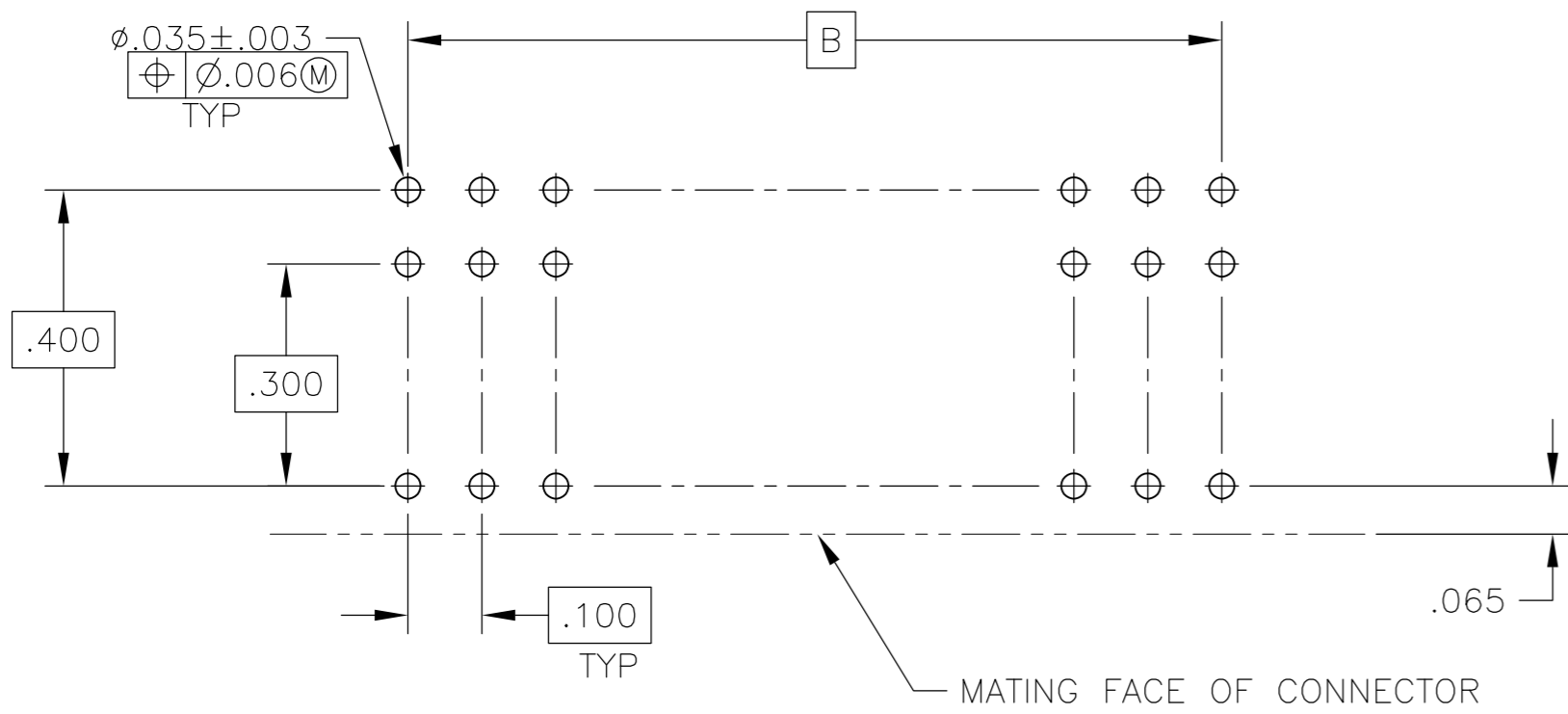
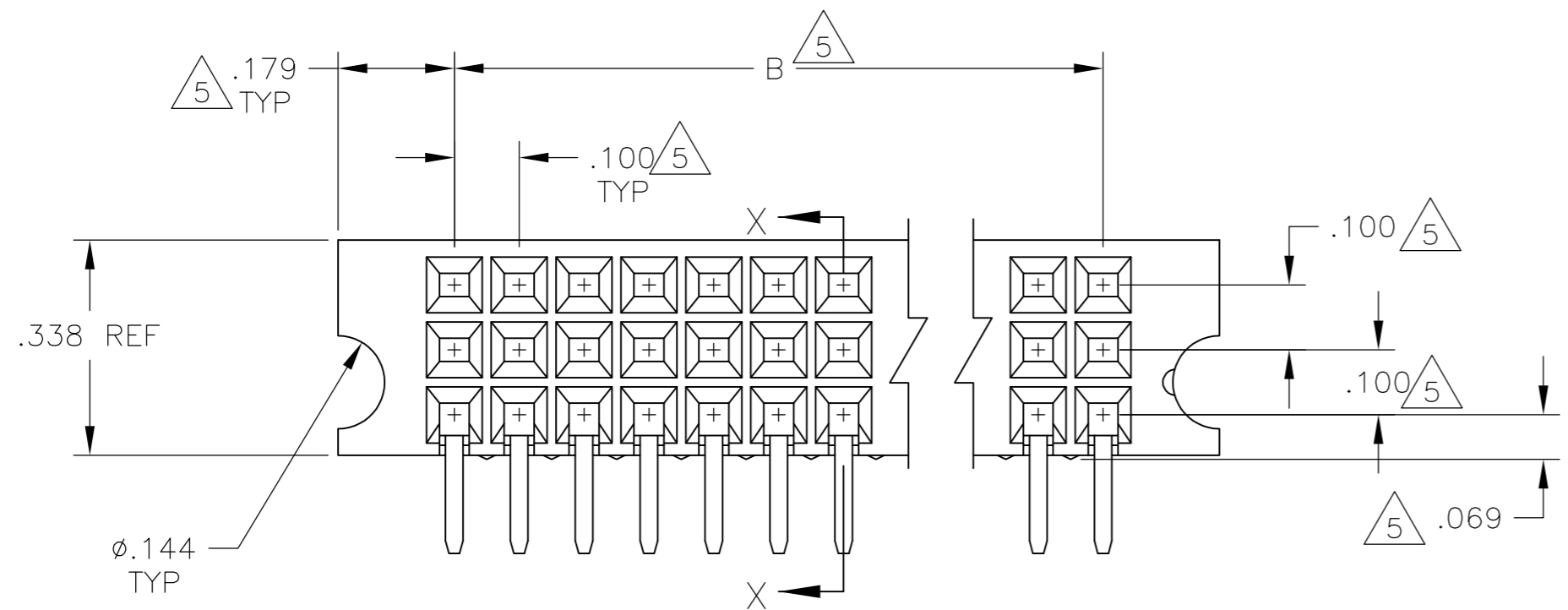
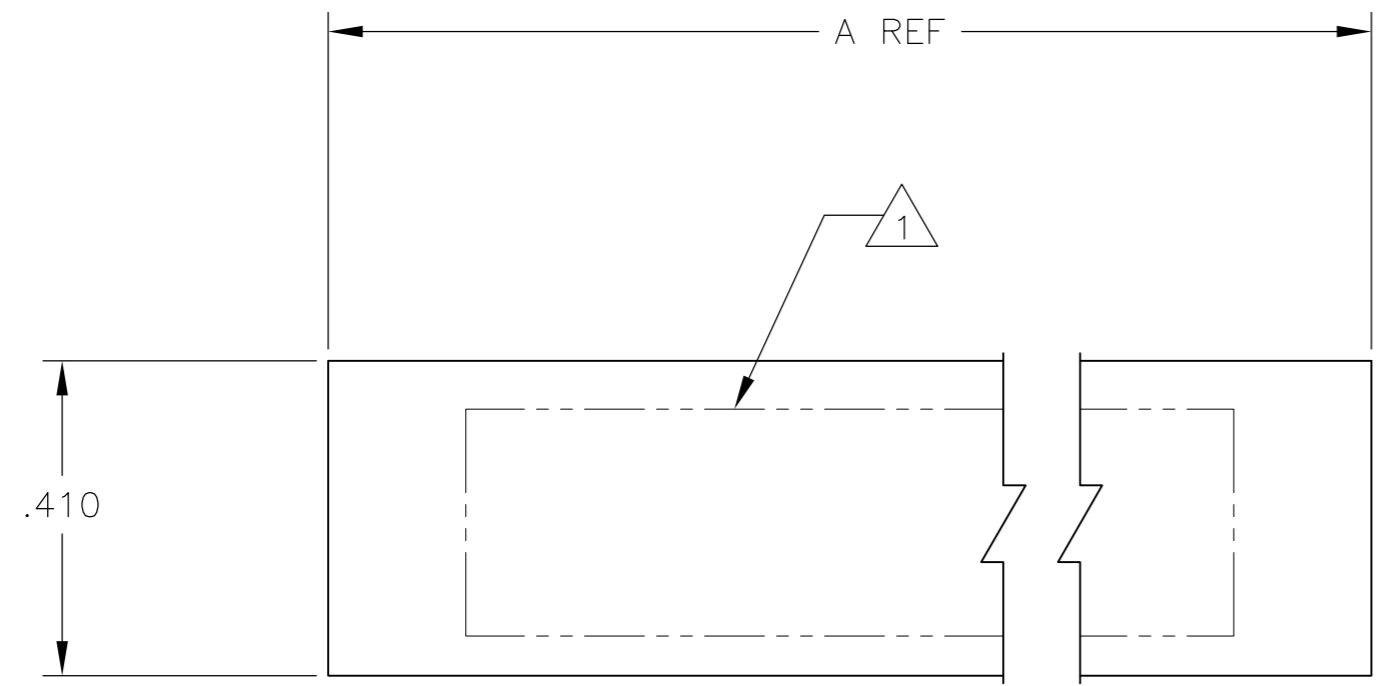
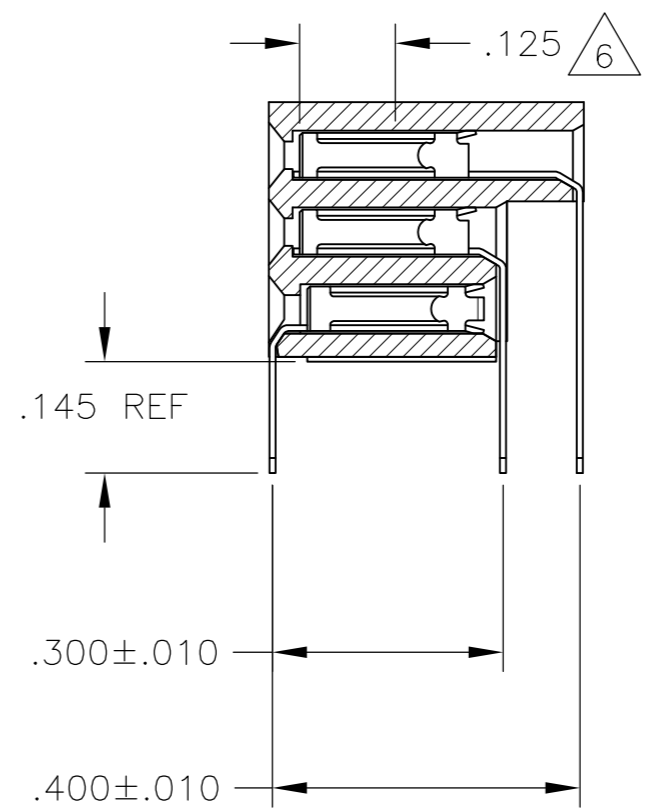


THIS DRAWING IS UNPUBLISHED. RELEASED FOR PUBLICATION
 © COPYRIGHT BY TYCO ELECTRONICS CORPORATION. ALL RIGHTS RESERVED.

LOC		DIST		REVISIONS			
P	LTR	DESCRIPTION		DATE	DWN	APVD	
	E1	ECO-06-16525		02OCT06	MB	JO	
	E2	REVISED PER ECO-09-021510		12SEP09	KK	AEG	



- 1 HOUSING: POLYPHENYLENE SULFIDE GLASS FILLED
CONTACT: PHOS BRONZE
- 2 CONTACT FINISH: DUPLEX PLATED .000015 GOLD IN CONTACT AREA,
.000050-.000100 BRIGHT TIN-LEAD ON SOLDER LEADS, ALL OVER .000050 NICKEL.
- 3 CONTACT FINISH: DUPLEX PLATED .000015 GOLD IN CONTACT AREA,
.000050-.000100 MATTE TIN ON SOLDER LEADS, ALL OVER .000050 NICKEL.
- 4 "AMP", "PART NUMBER", "DATE CODE" THE WORD "FRONT" AND "CSA"
LOGO WITH .062±.015 HIGH CHARACTERS.
- 5 THESE DIMENSIONS PERTAIN TO CAVITY CENTERLINES ONLY,
NOT TO CONTACT LOCATIONS
- 6 POINT OF MEASUREMENT FOR PLATING THICKNESS
(MEASURE INSIDE CONTACT BEAM)
- 7 ROHS 2002/95/EC COMPLIANT.
- 8 OBSOLETE PARTS: OBSOLETE CIS STREAMLINING PER D.RENAUD/D.SINISI



3	6.900	7.258	210	7	5-535549-2
	3.900	4.258	120	7	5-535549-1
2	6.900	7.258	210		535549-2
	3.900	4.258	120		535549-1
FINISH	B	A	NO OF POSN	PART NUMBER	

THIS DRAWING IS A CONTROLLED DOCUMENT.		DWN M.BINNER	02OCT06	Tyco Electronics Corporation Harrisburg, PA 17105-3608	
DIMENSIONS: INCHES		CHK J.OLSON	APVD J.OLSON	NAME RECEPTACLE ASSEMBLY, MODII, CLOSED ENTRY, WITH GUIDE PIN EARS	
TOLERANCES UNLESS OTHERWISE SPECIFIED:		PRODUCT SPEC		APPLICATION SPEC	
0 PLC ± -		APPLIC. SPEC		RESTRICTED TO	
1 PLC ± -		WEIGHT		SIZE	
2 PLC ± -		CAGE CODE		DRAWING NO	
3 PLC ± .005		SCALE		SHEET	
4 PLC ± -		CUSTOMER DRAWING		REV	
ANGLES ± -		SCALE 4:1		SHEET 1 OF 1	
FINISH		WEIGHT		REV E2	
SEE TABLE		A2 00779 C=535549			