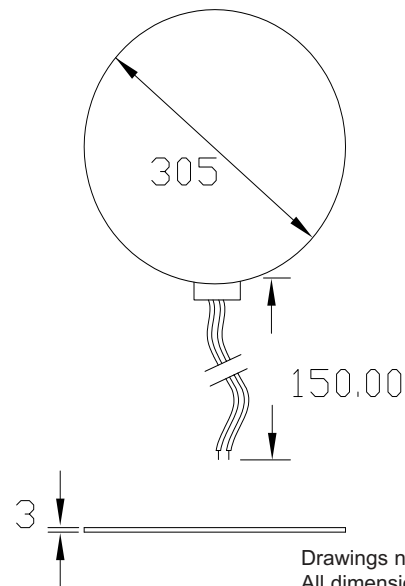


**PICTURE**



**DIMENSIONS**



Drawings not to scale  
 All dimensions in mm nominal

**✓RoHS Compliant**

**SPECIFICATION**

Contact Form / Style		Normally Open
Switching Voltage	Max Volts DC	25
Switching Current	Max Amps DC	0.25 (Resistive)
Switching Load	W/VA	10
Carry Current	Max Amps DC	0.25 (Resistive)
Operating Pressure	Max Volts AC	25Kg over 50mm <sup>2</sup>
Ingress Protection		64 (Not Waterproof)
Contact Resistance	Typical Ohms	1
Operating Temperature	Celsius	- 10° to 70°
Mat Material		Seem welded PVC
Cable		0.22mm <sup>2</sup> Black PVC insulated

**Applications Include**

- Alarm systems.
- Automatic door operation.
- Patient bed monitoring.
- Seat occupancy detection.

**Options**

- 16Kg pressure model.
- Various sizes available.
- Custom cable types, cable lengths, connectors or crimp terminals available.
- If you do not see what you need, just ask, as there is a strong possibility we can do it !

**Did you know we also sell?**



**Rev. No.**

**Revision Note**

**Date**

**Signature**

1

Datasheet

30-09-15

ML



ISO 9001:2008  
 Certificate No. FM21080

As part of the company policy of continued product improvement, specifications may change without notice. Our sales office will be pleased to help you with the latest information on this product range and the details of our full design and manufacturing service. All products are supplied to our standard conditions of sale unless otherwise agreed in writing.

Phone : +44 (0)1255 862236

www.comus-intl.com

Fax: +44 (0)1255 862014

©2015 Copyright Comus Europe Ltd, Unit 7, Rice Bridge Industrial Estate, Thorpe - Le - Soken, Essex, CO16 0HL, ENGLAND.  
 USA: Comus International:+1 973 777 6900, Belgium: Comus Belgium BVBA: +32 (0)12 390400