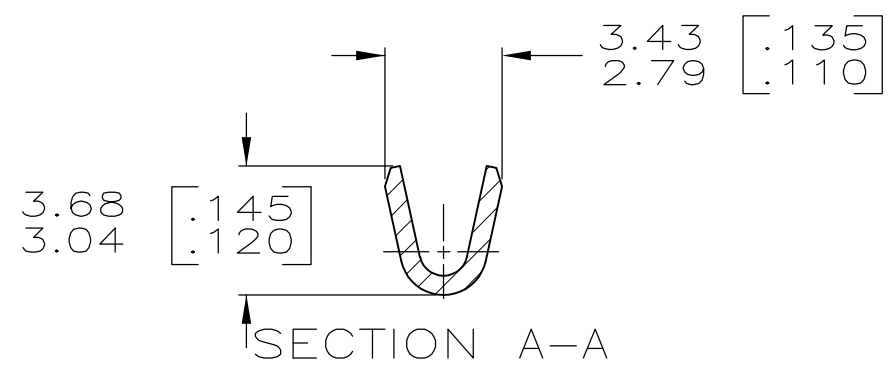
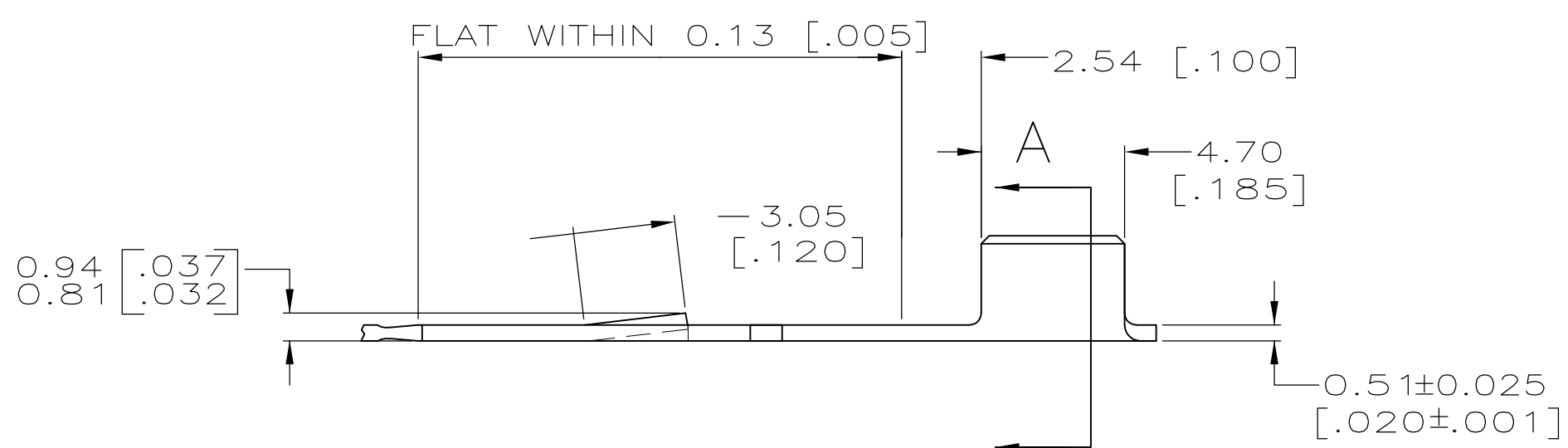
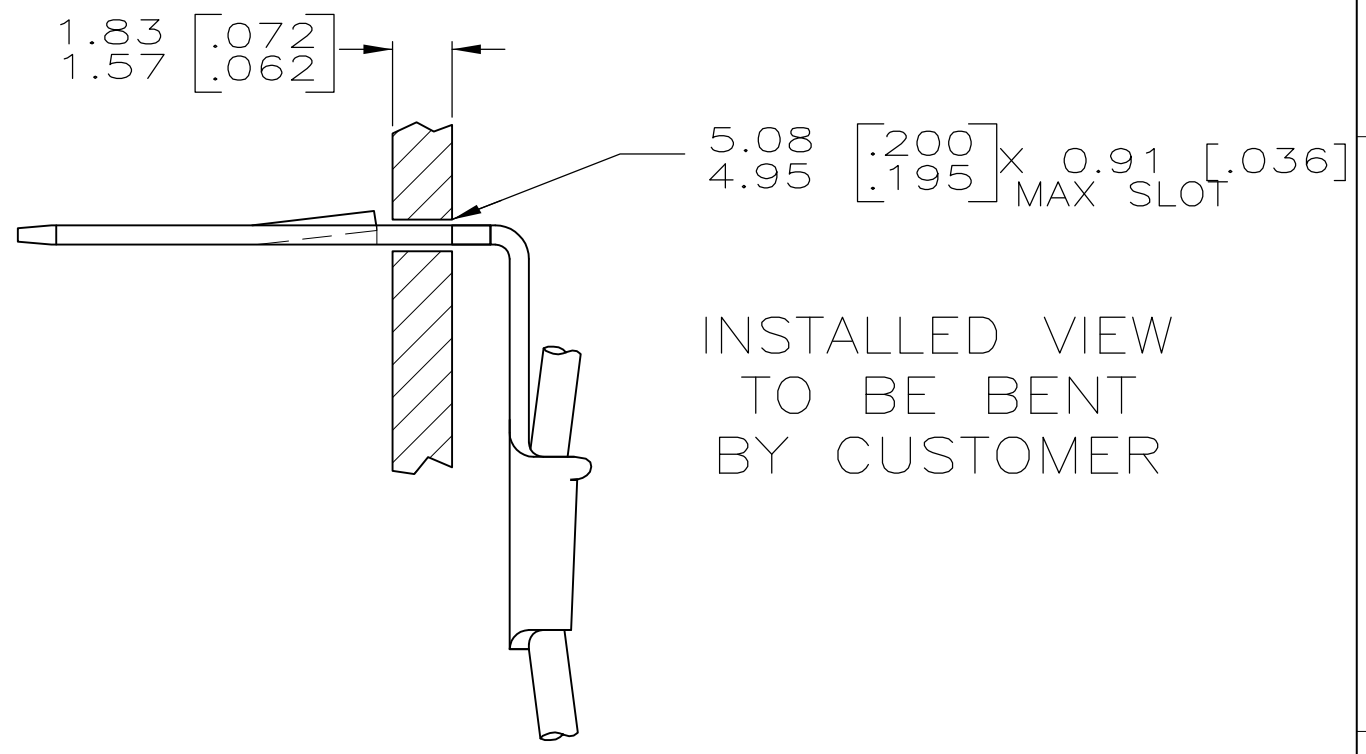
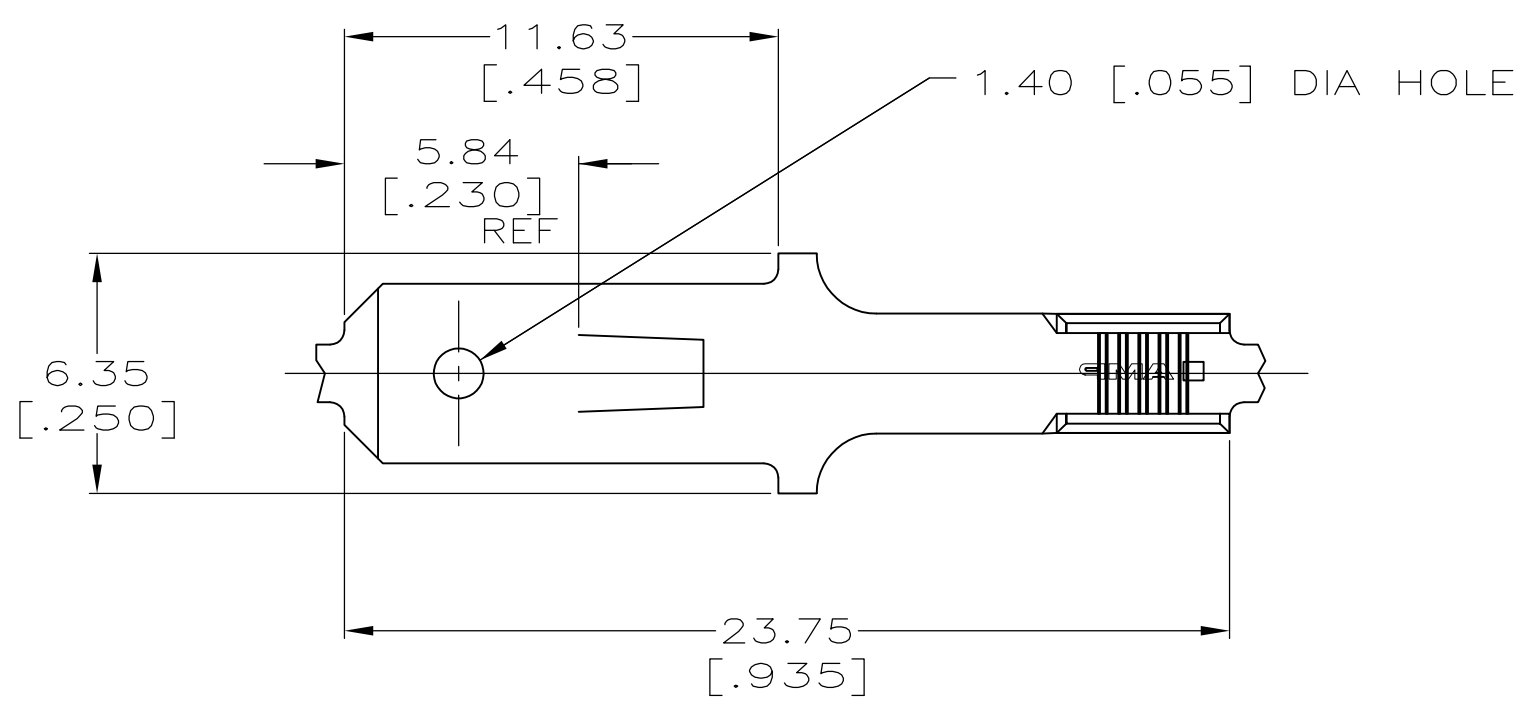


THIS DRAWING IS UNPUBLISHED. RELEASED FOR PUBLICATION
 © COPYRIGHT - By - ALL RIGHTS RESERVED.

LOC	DIST	REVISIONS			
P	LTR	DESCRIPTION	DATE	DWN	APVD
AF	50				
	D	REVISED PER ECR-13-005733	27AUG2013	KH	PD



- 1 CONTINUOUS STRIP ON REELS.
- 2 1.29-0.72mm DIA [#21-#16 MAG] WIRE SIZE.
- 3 REVERSE REEL OF 63095-1.
- 4 OBSOLETE PARTS: OBSOLETE CIS STREAMLINING PER D.RENAUD/D.SINISI

4 3	OBSOLETE	63095-2
		63095-1
		PART NO

THIS DRAWING IS A CONTROLLED DOCUMENT.		DWN	JR RUTH	4/1/96	TE Connectivity NAME TAB, FASTON, AMPLIVAR, 4.75 [.187] SERIES								
DIMENSIONS: mm [INCHES]		CHK	MS FEHER	4/1/96									
TOLERANCES UNLESS OTHERWISE SPECIFIED:		APVD	J HUZVAR	4/1/96									
0 PLC ± - 1 PLC ± - 2 PLC ± 0.38 [.015] 3 PLC ± - 4 PLC ± - ANGLES ± -		PRODUCT SPEC	-										
MATERIAL	BRASS	FINISH	0.002032 [.000080] MIN TIN	APPLICATION SPEC	-	SIZE	A3	CAGE CODE	00779	DRAWING NO	C-63095	RESTRICTED TO	-
CUSTOMER DRAWING				WEIGHT	-	SCALE	5:1	SHEET	1 OF 1	REV	D		