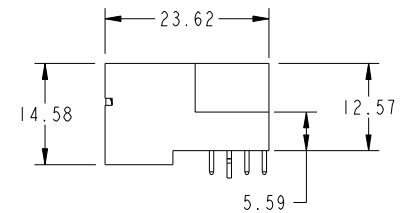
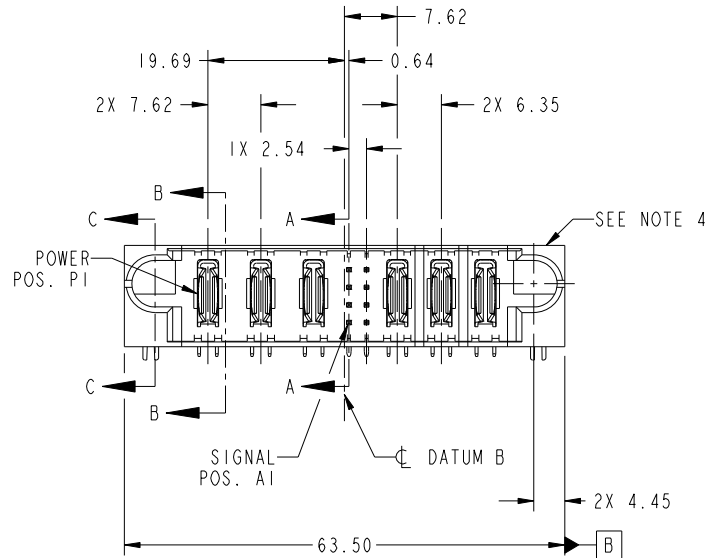


Tous droits strictement réservés. Reproduction ou communication a des tiers interdite sous quelque forme que ce soit sans autorisation écrite du propriétaire. Propriete de c FCI. Droits de reproduction FCI.

All rights strictly reserved. Reproduction or issue to third parties in any form whatever is not permitted without written authority from the proprietor. Property of FCI. Copyright FCI.



PRODUCT NO.	ROWS	POWER			SIG	POWER				
		E1	P1	P2	P3	1 2	P4	P5	P6	E2
51939-453... NOTE 3	D C B A									



CODE	DIM "M" MATING LENGTH	CONTACT TYPE
U	[6.86]	SIGNAL
T	[6.86]	SIGNAL
S	[6.86]	SIGNAL
R	[6.86]	SIGNAL
PA	[N/A]	POWER
HA	[N/A]	HOLD-DOWN

mat'l code				SEE NOTE	tolerances unless otherwise specified		CUSTOMER		
ltr	ecn no.	dr	date	linear	0.X ±0.5	projection	COPY	www.fciconnect.com	
A	DG09-0223	WD	07/10/09	angles	0.XX ±0.25			title	
					0.XXX ±0.1			3ACPP + 8S + 3P	
				dr	0° ±2°	MIM	scale	RIGHT ANGLE SOLDER HEADER	
				enr	Warren Du 07/06/09			product family	
				chr	Warren Du 07/06/09			PwrBlade	code
				appd	PM ZHENG 07/06/09			size	213
sheet index	revision sheet	A	A	A	A	1:1	A	dwg no	1 of 4
		1	2	3	4			51939-453	

cage code 22526

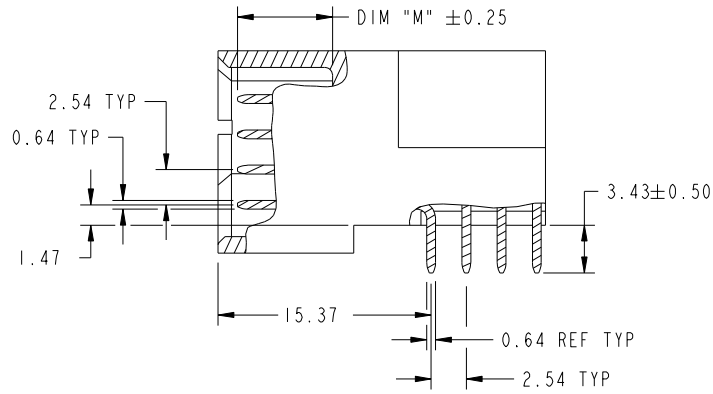
Pro/E

Tous droits strictement reserves. Reproduction ou communication a des tiers interdite sous quelque forme que ce soit sans autorisation ecrite du proprietaire. Propriete de c FCI. Droits de reproduction FCI.

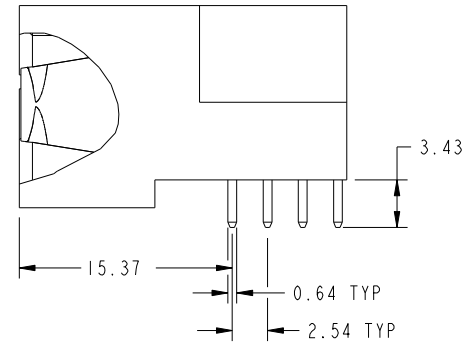
All rights strictly reserved. Reproduction or issue to third parties in any form whatever is not permitted without written authority from the proprietor. Property of FCI. Copyright FCI.



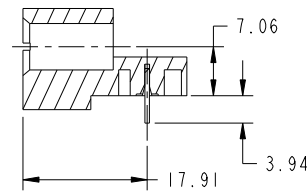
PRODUCT NUMBER
51939-453__
NOTE: 3



BROKEN-OUT SECTION A-A
SCALE 2:1



BROKEN-OUT SECTION B-B
SCALE 2:1



SECTION C-C

mat'l code				SEE NOTE		tolerances unless otherwise specified		CUSTOMER		 www.fciconnect.com	
ltr	ecn no.	dr	date	linear	0.X ±0.5		COPY		title 3ACPP + 8S + 3P RIGHT ANGLE SOLDER HEADER		
A					0.XX ±0.25		projection				
					angles	0.XXX ±0.1		 MIM		product family PwrBlade code 213	
				dr		Warren Du	07/06/09	scale		size	
				enr	Warren Du	07/06/09	1:1		dwg no		
				chr	PM ZHENG	07/06/09			A 51939-453		
				appd	JOSEPH HSIA	07/06/09			sheet 2 of 4		
sheet index	revision sheet										

cage code 22526

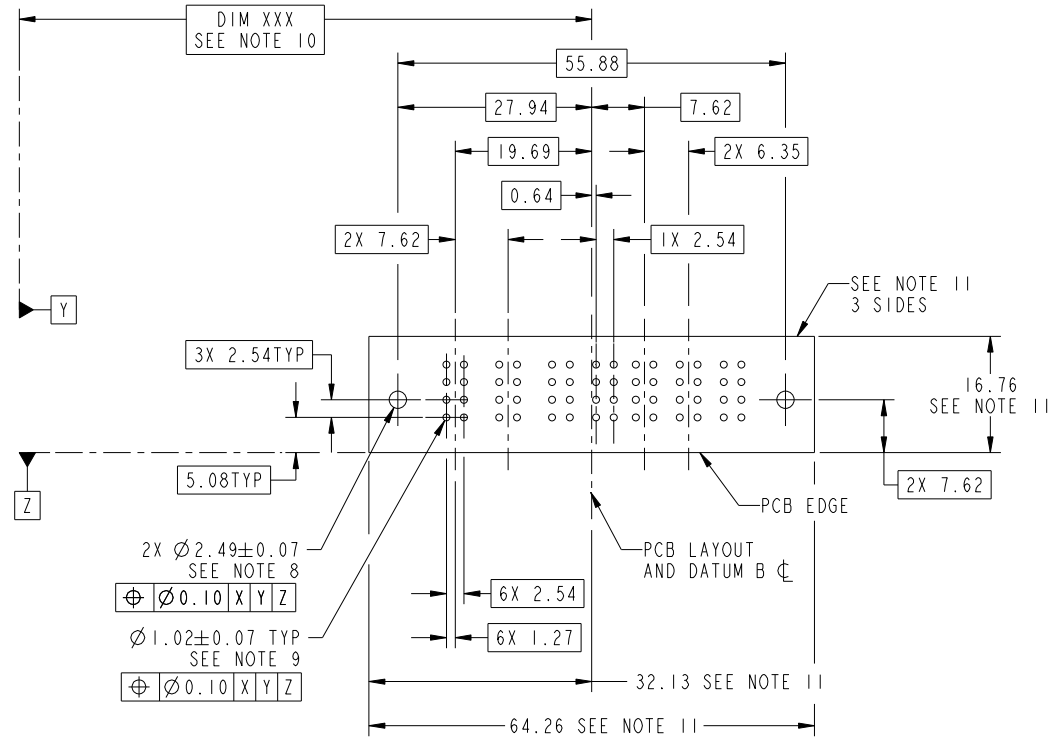
Pro/E

Tous droits strictement reserves. Reproduction ou communication a des tiers interdite sous quelque forme que ce soit sans autorisation ecrite du proprietaire. Propriete de c FCI. Droits de reproduction FCI.



All rights strictly reserved. Reproduction or issue to third parties in any form whatever is not permitted without written authority from the proprietor. Property of FCI. Copyright FCI.

PRODUCT NUMBER
51939-453__
NOTE: 3



RECOMMENDED PCB LAYOUT

mat'l code		SEE NOTE		tolerances unless otherwise specified		CUSTOMER		 www.fciconnect.com	
ltr	ecn no.	dr	date	linear	0.X ±0.5	COPY		title	
A					0.XX ±0.25	projection		3ACPP + 8S + 3P RIGHT ANGLE SOLDER HEADER	
				angles	0.XXX ±0.1			product family PwrBlade code	
		dr	Warren Du	07/06/09	0° ±2°	MIM		size 213	
		enr	Warren Du	07/06/09		scale		dwg no 51939-453 sheet	
		chr	PM ZHENG	07/06/09		1:1		3 of 4	
		appd	JOSEPH HSIA	07/06/09					
sheet index	revision sheet								

cage code 22526

Pro/E

Tous droits strictement reserves. Reproduction ou communication a des tiers interdite sous quelque forme que ce soit sans autorisation écrite du propriétaire. Propriete de c FCI. Droits de reproduction FCI.



All rights strictly reserved. Reproduction or issue to third parties in any form whatever is not permitted without written authority from the proprietor. Property of FCI. Copyright FCI.

PRODUCT NUMBER
51939-453_
NOTE: 3

NOTES:

1. DIMENSIONS AND TOLERANCES ARE IN ACCORDANCE WITH ASME Y14.5M, 1994 UNLESS OTHERWISE SPECIFIED.

CONNECTOR NOTES:

- 2. HOUSING MATERIAL: UL 94 V-0 GLASS FILLED HIGH-TEMP THERMOPLASTIC
POWER CONTACT MATERIAL: COPPER ALLOY
SIGNAL PIN MATERIAL: COPPER ALLOY
- 3. SEE ITEM 1 & 2 IN PRINT 10064183 FOR PLATING SPEC OF 51939-453 AND 51939-453LF RESPECTIVELY.
- 4. MANUFACTURER'S NAME, P/N, AND DATE CODE TO APPEAR ON THIS SURFACE.
- 5. PRODUCT SPECIFICATION GS-12-149.
APPLICATION SPECIFICATION BUS-20-067.
- 6. PACKAGED IN TRAYS.

PCB NOTES:

- 7. ALL HOLE DIAMETERS ARE FINISHED HOLE SIZE.
- 8. MOUNTING HOLES, WHERE APPLICABLE, ARE UNPLATED.
- 9. $\varnothing 1.151 \pm 0.025$ DRILLED HOLES PLATED WITH
0.008 MIN SnPb OR Sn OVER 0.03
TO 0.08 Cu PLATING TO ACHIEVE
 $\varnothing 1.02 \pm .07$ HOLE.
- 10. "DIM XXX" TO BE DETERMINED BY THE CUSTOMER.
- 11. CONNECTOR KEEP-OUT ZONE.

mat'l code		SEE NOTE		tolerances unless otherwise specified		CUSTOMER		FCI		www.fciconnect.com	
ltr	ecn no.	dr	date	linear	0.X ± 0.5	COPY				title	
A				linear	0.XX ± 0.25	projection				3ACPP + 8S + 3P	
				angles	0.XXX ± 0.1					RIGHT ANGLE SOLDER HEADER	
				dr	0° ± 2°	MIM		product family		PwrBlade	code
				enr	Warren Du 07/06/09	← MIM →		size		dwg no	213
				chr	Warren Du 07/06/09	scale		A		51939-453	sheet
				appd	PM ZHENG 07/06/09	1:1				4 of 4	
					JOSEPH HSIA 07/06/09						
sheet index	revision sheet										

cage code 22526

Pro/E