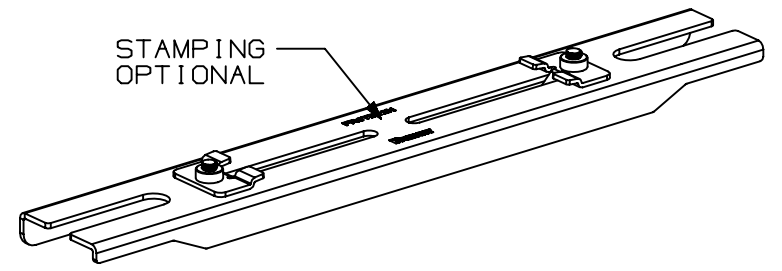
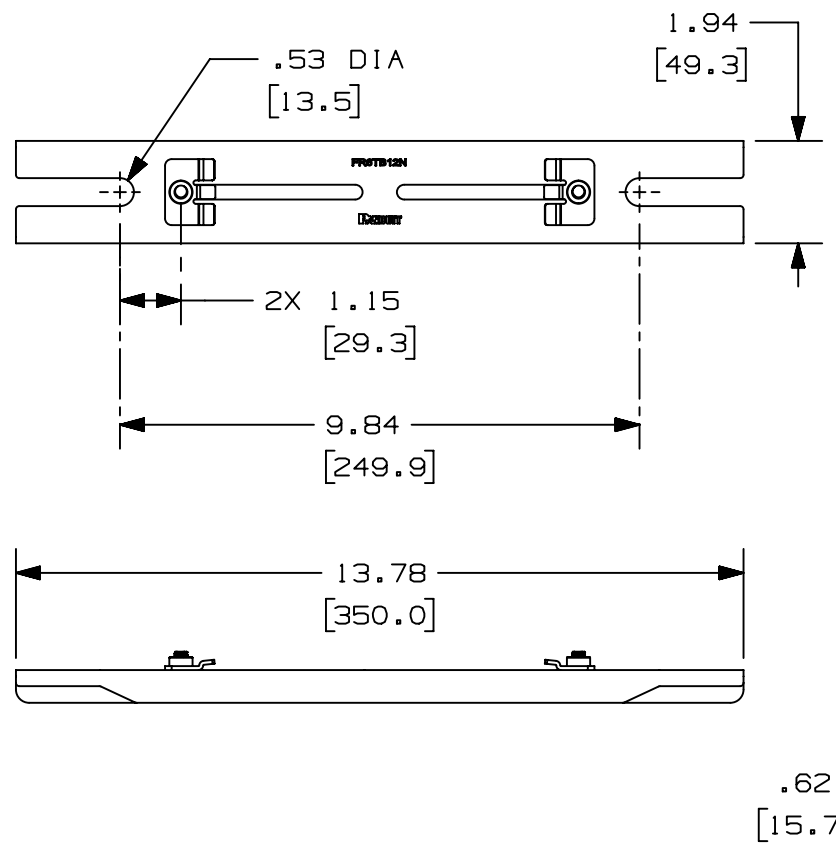


THIS COPY IS PROVIDED ON A RESTRICTED BASIS AND IS NOT TO BE USED IN ANY WAY DETRIMENTAL TO THE INTERESTS OF PANDUIT CORP.

PANDUIT PART NUMBER	WEIGHT
FR6TB12 FR6TB12M	1.23 LB/EACH (559g/EACH)

NOTES:

1. SEE CURRENT CATALOG FOR ADDITIONAL PART SUFFIXES TO INDICATE PACKAGE QUANTITY.
2. THE FIBERRUNNER 4x4 AND 6x4 QUIKLOCK TRAPEZE BRACKET IS USED TO SUPPORT THE FIBERRUNNER 4x4 AND/OR 6x4 CABLE ROUTING SYSTEMS BETWEEN TWO (2) SECTIONS OF NEW 1/2" (M12) THREADED ROD THAT ARE 10" (254) - 13" (330.2) APART.
3. THE FIBERRUNNER 4x4 AND 6x4 QUIKLOCK TRAPEZE BRACKET INCLUDES:
ONE (1) BRACKET ASSEMBLY,
FOUR (4) 1/2 HELICAL SPRING LOCKWASHERS,
FOUR (4) 1/2-13 HEAVY HEX NUTS (FR6TB12 ONLY),
FOUR (4) M12x1.75 HEX NUTS (FR6TB12M ONLY).
4. FINISH COLOR: BLACK (EXCEPT FOR HARDWARE).
5. DIMENSIONS IN PARENTHESES ARE IN METRIC.



DI10100DA/20

REV	DATE	BY	CHK	APR	DESCRIPTION	ECN
04B	9/12/19	MEX-JAGC	FWI	FWI	P. "STAMPING OPTIONAL" LABEL ADDED SEE PREVIOUS REVISION FOR HISTORY	V09002CN/07

TITLE FIBERRUNNER 4x4 AND 6x4 QUIKLOCK TRAPEZE BRACKET 1/2" (M12) THREADED ROD					
CUSTOMER DRAWING					
ITEM REVISION NAME D38022CN/04			PANDUIT		
DATASET FILE NAME D38022CN_DC/04B					
MATERIAL: N/A			DRAWING NUMBER: 38022-48		
THIRD ANGLE PROJECTION	DRAWN BY: JHNU, DATE: 10-02-01, CHK: RPA, SCALE: NONE				
SHT 1 OF 1			SIZE: A		