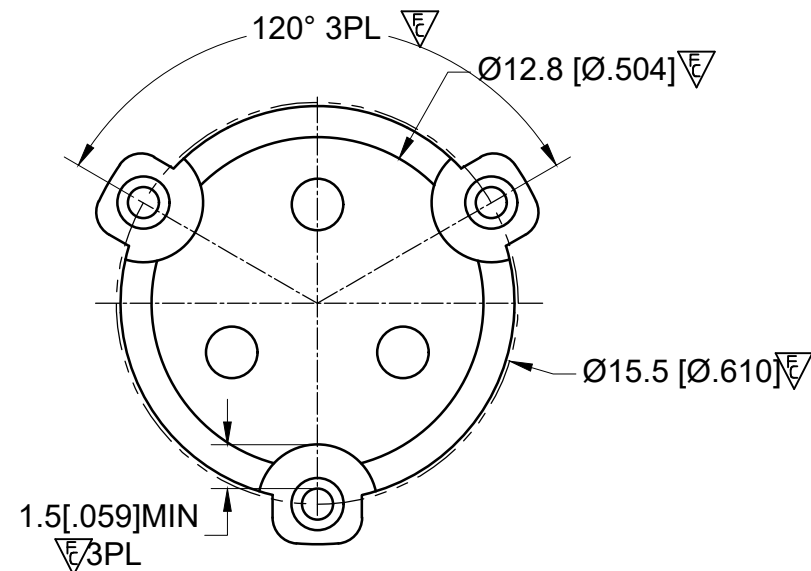
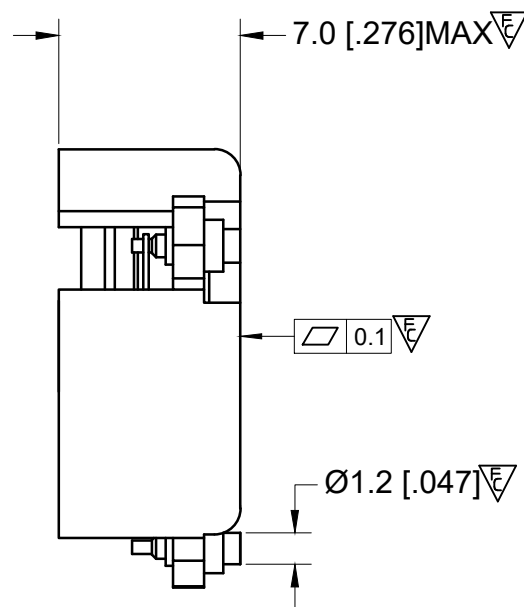
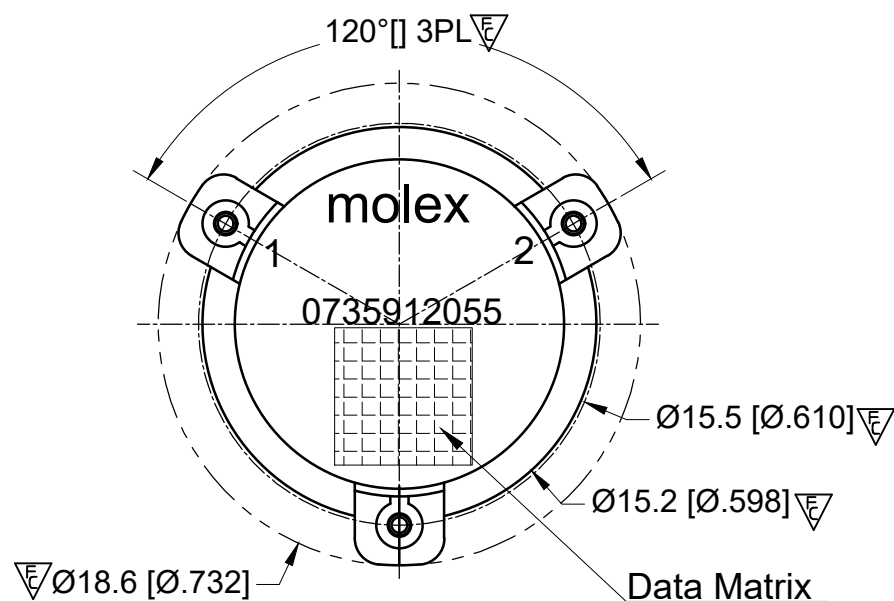
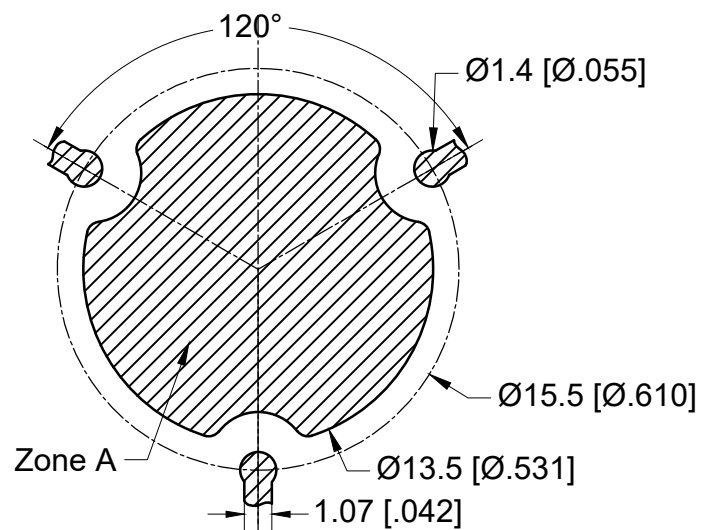
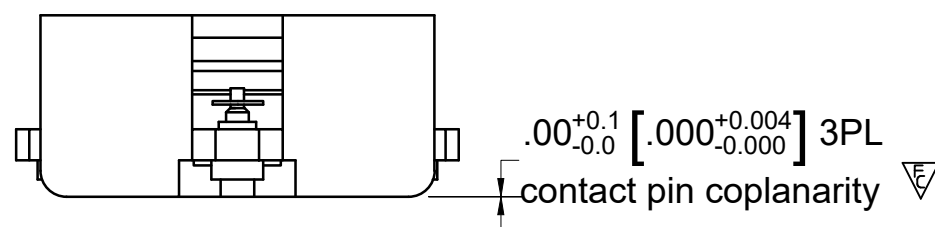


RECOMMENDED LAND PATTERN :

Zone A must be attached to heat sink. Thermal conductivity of intermediate layers between Zone A and heat sink must be better than 0.1 W / [°C x mm].



PCB Material :Rogers RO4350B,0.508mm thickness
trace width 1.07mm wide.



ELECTRICAL SPECIFICATIONS :

- Frequency Range : 3700~3980 MHz
- Insertion Loss : 0.25 dB Max
- Isolation : 20 dB Min
- Return Loss : 20 dB Min
- Average forward power : 65W
- Peak forward power : 470W
- Attenuation(2*TX) : 10dB min
- (3*TX) : 5dB min
- (4*TX and 5*TX:) : 10dB min
- FMD IMD3(2 x 25 W, 1 MHz space) : -60 dBc Max
- Operating Temperature : -40°C to +105°C
- Storage Temperature : -55°C to +125°C
- Direction : CW

MATERIAL :

- BODY : STEEL, SILVER PLATED
- PIN : COPPER , SILVER PLATED

NOTES :

- 1.STANDARD INPUT/OUTPUT IMPEDANCE 50 Ohm
- 2.LEAD FREE, NO Nd MATERIAL, BeO FREE
- 3.THE DIMENSION OF DATA MATRIX IS 5.3X5.3MM INFORMATION INCLUDING WORK ORDER NUMBER-SERIAL NUMBER-MATERIAL NUMBER
- 4.THIS PART COMPLIES WITH ALL RoHS REQUIREMENTS

ENG PART#: 802-370-398-WP040

FUNCTIONAL SYMBOLS	THIS DRAWING CONTAINS INFORMATION THAT IS PROPRIETARY TO MOLEX ELECTRONIC TECHNOLOGIES, LLC AND SHOULD NOT BE USED WITHOUT WRITTEN PERMISSION									
	DIMENSION UNITS		SCALE		CURRENT REV DESC:					
MM		1:1		RELEASE TO PROD						
GENERAL TOLERANCES (UNLESS SPECIFIED)		mm		INCH		EC NO: 696580		2022/02/21		SMSJ CIRCULATOR/3700~3980MHZ/CW
4 PLACES ±0.25 ±---		DRWN: SREN05		2022/02/23		CHK'D: JLI252		2022/03/01		RESTRICTED PRODUCT CUSTOMER DRAWING
3 PLACES ±0.05 ±---		APPR: HWANG186		INITIAL REVISION:		DRWN: SREN05		2021/11/12		DOCUMENT NUMBER
2 PLACES ±0.13 ±---		ANGULAR TOL ± 1.5 °		APPR: HWANG186		2022/03/01		735912055		DOC TYPE DOC PART REVISION
1 PLACE ±0.25 ±---		DRAFT WHERE APPLICABLE MUST REMAIN WITHIN DIMENSIONS		THIRD ANGLE PROJECTION		DRAWING		SERIES		MATERIAL NUMBER
0 PLACES ±0.4 ±---		A3-SIZE		73591		0735912055		CUSTOMER		SHEET NUMBER
CUSTOMER		CUSTOM PART		1 OF 1						