

## Needle gripper

SNG-V 10 1.2 V-7

Part no...:10.01.29.00176

<https://www.schmalz.com/10.01.29.00176>

Home > Vacuum Technology for Automation > Vacuum Components > Special Grippers > Needle Grippers > Needle Grippers SNG-V > SNG-V 10 1.2 V-7

### Needle gripper "SNG-V", particularly robust version



Number of needles: 10

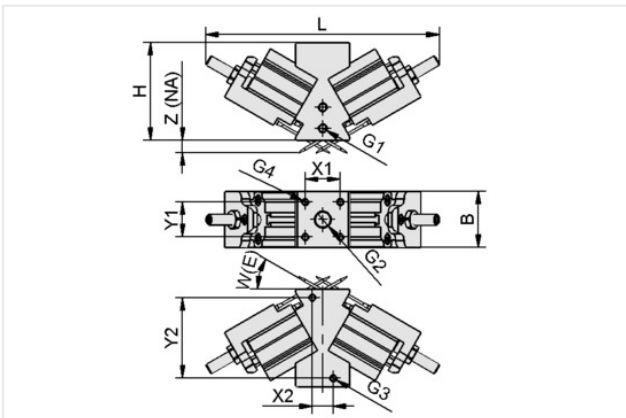
Needle diameter: 1.2 mm

Add. function: Variable stroke

Needle stroke Z(NA): 7 mm

Pressure range (operating pressure): 3.0 ... 7.0 bar

### Design Data



Attribute	Value
B	32 mm
G1	M5-F
G2	G1/8"-F
G3	M4-F
G4	M4-F
H	56 mm
L	149 mm
W(E)	30 °
X1	20 mm
X2	12 mm
Y1	20 mm
Y2	46 mm
Z(NA)	7 mm

### Technical Data

Attribute	Value
Number of needles	10
Needle diameter	1.20 mm
Pressure range (operating pressure)	3.0 ... 7.0 bar
Operating temperature	5 ... 60 °C

### Contact Schmalz

Schmalz Inc. | 5850 Oak Forest Drive, Raleigh, NC 27616, United States | +1 (919) 713-0880 | [schmalz.us@schmalz.com](mailto:schmalz.us@schmalz.com)

## Needle gripper

SNG-V 10 1.2 V-7

Part no.:10.01.29.00176

<https://www.schmalz.com/10.01.29.00176>

Weight	265 g
Add. function	Variable stroke
Product family	SNG-V

### Accessories



#### BEF-PL 31x34x11.5 G1/4-IG SNG

Part no.:10.01.29.00093

Construction use: Needle gripper

Length L: 31 mm

Width B: 34 mm

Height H: 11.5 mm

Thread G1: G1/4"-F



#### HTS-A3 SGM 30/40 OP

Part no.:10.01.17.00558

Connection 1: Ball head 28.5 mm

Construction use: Magnetic gripper

Size: 30/40

## Needle gripper

SNG-V 10 1.2 V-7

Part no...:10.01.29.00176

<https://www.schmalz.com/10.01.29.00176>



### HTS-A2 SGM 30/40 OP

Part no...:10.01.17.00581

Connection 1: Bolt with slot  $\varnothing$ 19mm

Construction use: Magnetic gripper

Size: 30/40



### HPS-SGM 2M6 30/40 OP

Part no...:10.01.17.00655

Construction use: Magnetic gripper

Connection 1: 2x screws M6

Size: 30/40

Shape: One-piece



### STV-GE M5-AG 6

Part no...:10.08.02.00201

Thread G1: M5-M

Hose diameter: 6 mm

Material: Brass

Operating temperature: -20 ... 80 °C

External diameter D: 9.9 mm

Length L: 18.8 mm

## Needle gripper

SNG-V 10 1.2 V-7

Part no...:10.01.29.00176

<https://www.schmalz.com/10.01.29.00176>



### STV-W M5-AG 6

Part no...:10.08.02.00296

Pressure range (operating pressure): bar

Length L: 20.8 mm

Height H: 13 mm

Thread G1: M5-M



### VSL 6-4 PU MI-TR

Part no...:10.07.09.00002

External diameter D: 6 mm

Internal diameter d: 4 mm

Length max.: 500 m

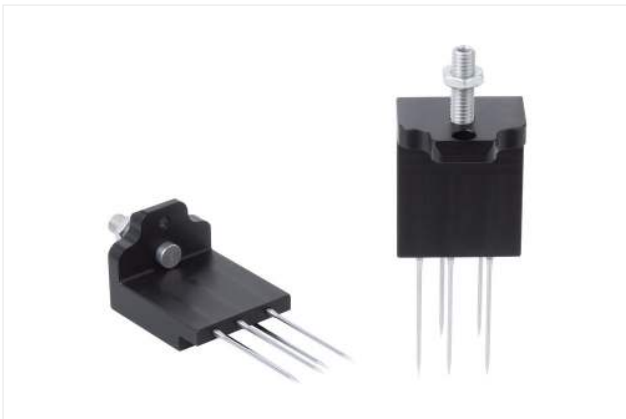
Material hose: PU

Bending radius min.: 35 mm

Pressure range (operating pressure): -0.95 ... 10.00 bar

Operating temperature: -20 ... 90 °C

## Spare parts



### ERS SNG-V 10 1.2

Part no...:10.01.29.00238

Construction use: Needle gripper

Size: V

contains: 2 needle wedges mounted

Number of needles: 10

Needle diameter: 1.2 mm