

■ Features

- Single output from 48W
- 100-240Vac Universal input
- Certificates: UL, cUL, CE
- Frequency: 50-60Hz
- PoE: Power over Ethernet 100Mbps
- OVP, OCP, SCP, and Overload protection
- Efficiency level: VI
- Available Plug types: US, EU, AU, UK plug
- Dimensions: TBD



*Product images are for illustrative purposes only and may vary from actual design.

■ Application

- Consumer electronics, Telecom and office equipment
- Industrial equipment

■ Model List

Custom Designs Available!

Model	Output Voltage	Output Current	Power	Certifications
WM048SP-240-X	24V	2A	48W	UL, cUL, CE
WM048SP-480-X	48V	1A	48W	UL, cUL, CE

*See Part Number Scheme on page 3 for specifying AC input plug.

■ Technical Data

Frequency	50/60Hz
Input voltage	100-240Vac(nom); 90-264Vac(max)
Input Current	0.3A max. at full load
Inrush Current	50A max@220Vac
Ripple & Noise	180mV Note 1
Efficiency	Average 86.2% efficiency@ 230Vac max(after 30min warm up) Efficiency Level VI; Efficiency of 10% of full load >76.2%
DC Output Overshoot	24V Turn on 5%, 24V Turn off 5%
Line Regulation	±5%
Load Regulation	±5% Note 2
Turn on delay time	3S Max. at 115Vac input and output max. load
Rise time	40ms Max. at 115Vac input and output max. load
Hold up time	5ms Min. @ 115Vac input output max. load
Short Circuit Protection	The power supply will auto-recover when the load short condition is removed.
Over Current Protection	When max load exceeds 120%-150%; Once the over current fault is removed the power supply will enter recovery mode automatically.
Burn-in	Burn-in for 2-4hours under normal input and 80% rated load at 40°C±5°C

Technical Sales / Customer Service: +1-818-338-7788 • Email: sales@autec.com
 31328 Via Colinas Suite 102 • Westlake Village, CA 91362 USA • www.autec.com

January 15, 2019

■ Technical Data(cont.)

MTBF	50,000 hours at 25°C, full load and nominal input condition
Leakage Current	0.25mA max. @240Vac/50Hz input
Operating Temperature	0°C to 40°C
Storage Temperature	-40°C to 85°C
Relative Humidity	5-90% RH non-condensing
Storage Humidity	10-90% RH non-condensing
Cooling	Convection cooling
Case Dimensions	TBD
Weight	120g
Packing	100pcs/carton
Vibration IEC 721-3-3 3M3	5-9Hz, A=1.5mm, 9-200Hz, Acceleration 5m/S ²
Transportation IEC 721-3-2 2M2	5-9Hz, A=3.5mm, 9-200Hz, Acceleration 5m/S ² ; 200-500Hz, Acceleration=15m/S ²
10 cycles per axis	No permanent damage may occur during testing. The power supply will return to its normal condition by turning the power off and on.

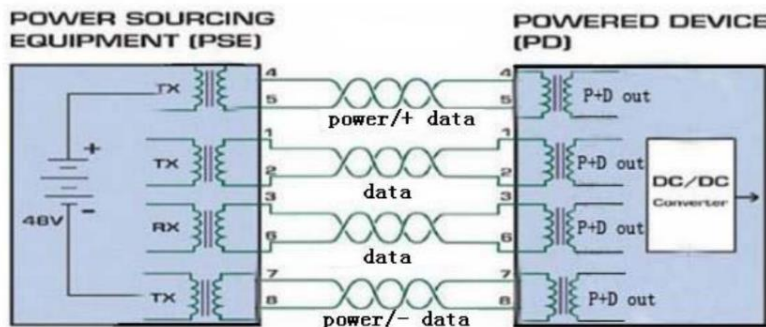
Notes:

1. Ripple and noise must be measured from DC Side with 20Mhz bandwidth, connected with a 10uF E-cap and 0.1uf ceramic capacitor of proper polarity.
2. Load and line regulation test at RJ45 terminal

■ Safety and EMI

Safeties	UL, cUL, CE
EMI Standard	GB9254, GB17625.1, GB13837, FCC-Part 15, EN 55032, EN55024, CISPR 22, EN61000-3-2, EN61000-3-3, EN61000-4-2,3,4,5,6,8,11
Dielectric Strength Testing	Primary to Secondary 3000Vac/4242Vdc/10mA/1min 7mm
Insulation Resistance	100MΩ min primary to secondary 500Vdc test voltage

■ RJ45 Connector Drawing



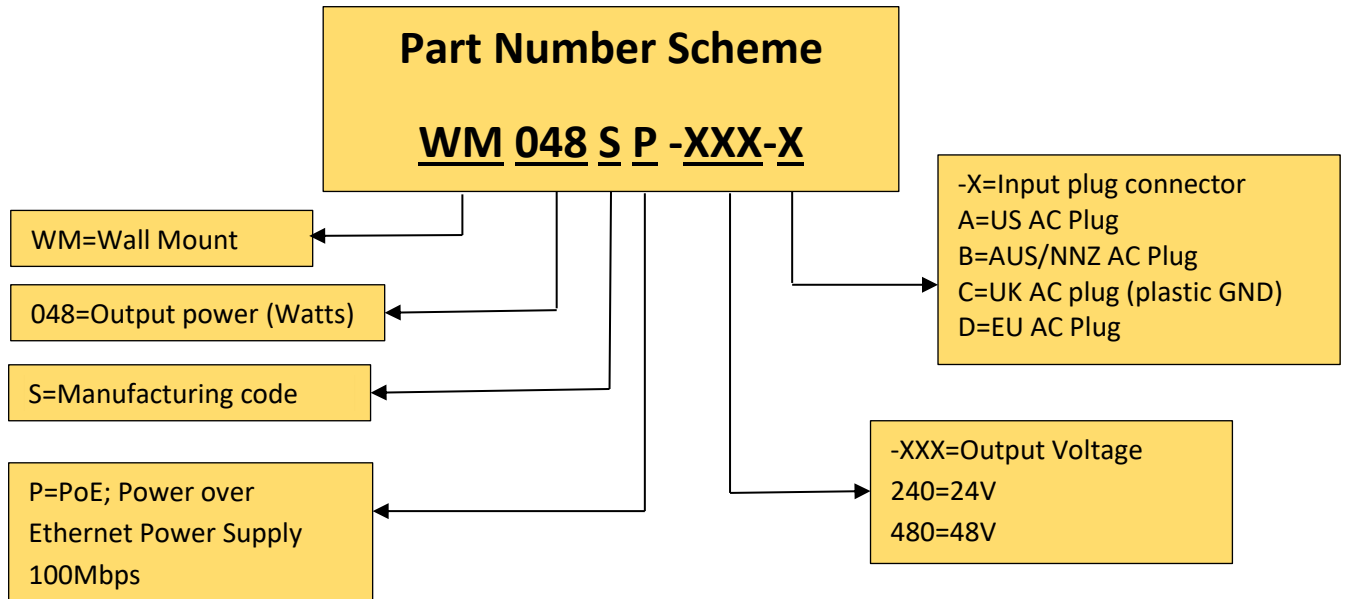
Polarity: 8PIN RJ45 connector

PIN 4 & 5: V+ / PIN 7 & 8: V-

Technical Sales / Customer Service: +1-818-338-7788 • Email: sales@autec.com

31328 Via Colinas Suite 102 • Westlake Village, CA 91362 USA • www.autec.com

January 15, 2019



*Product images are for illustrative purposes only and may vary from actual design.

*Specifications are subject to change without notice. Autec is not responsible for issues arising from errors or omissions.