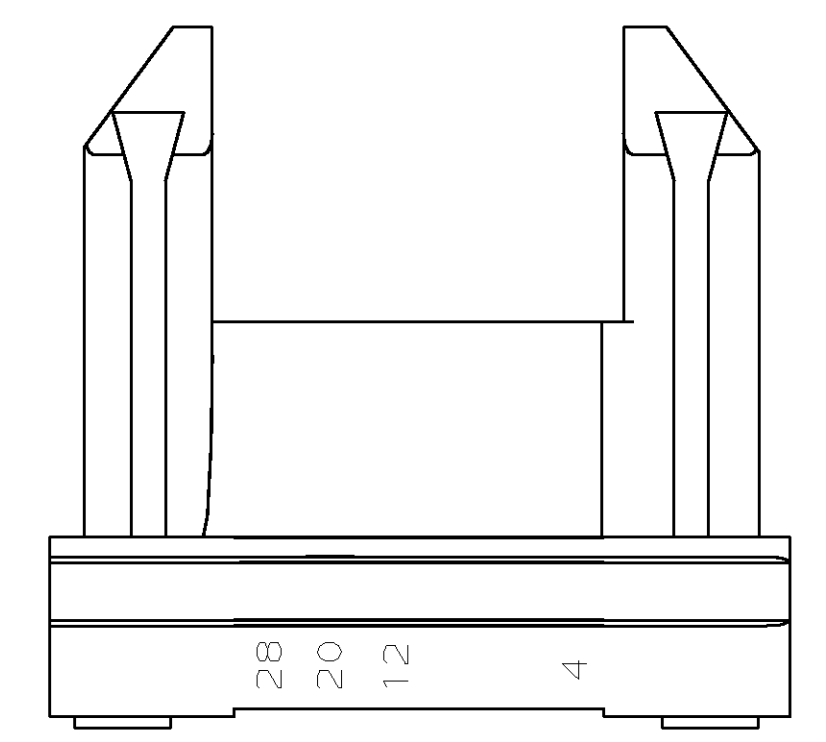
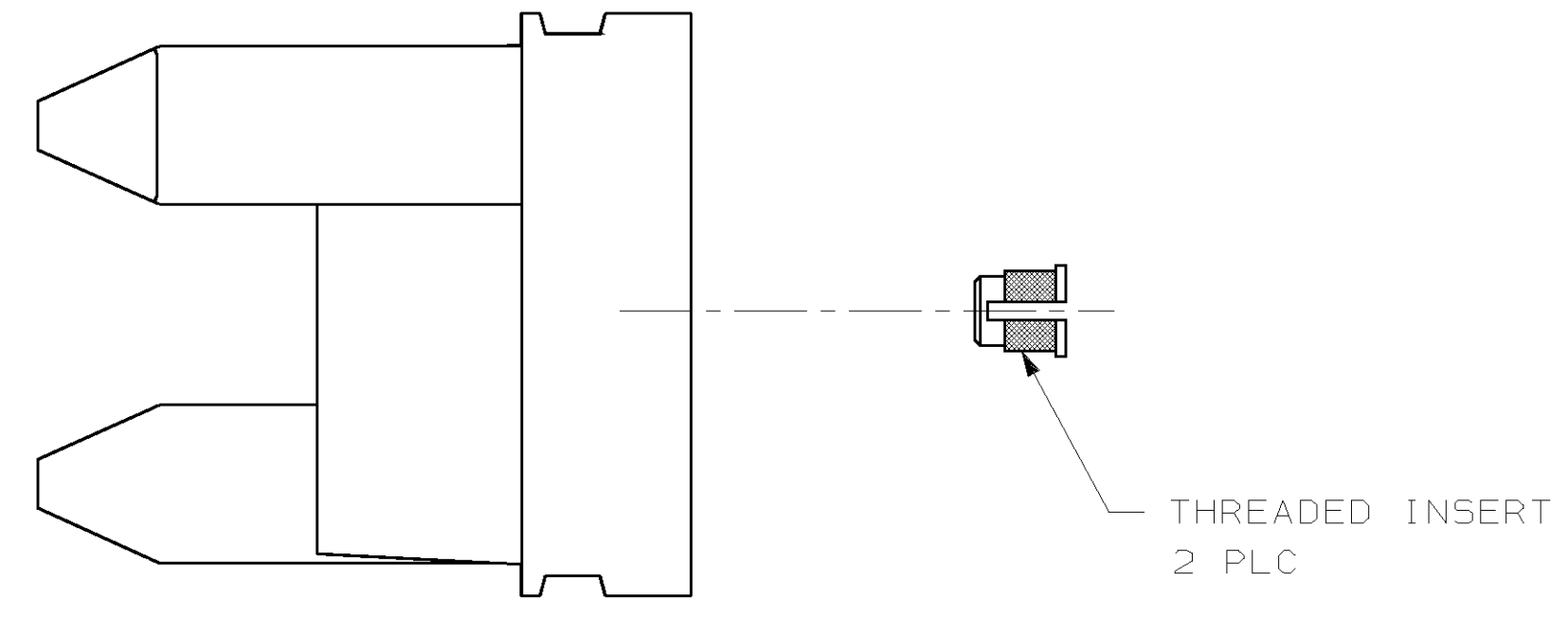
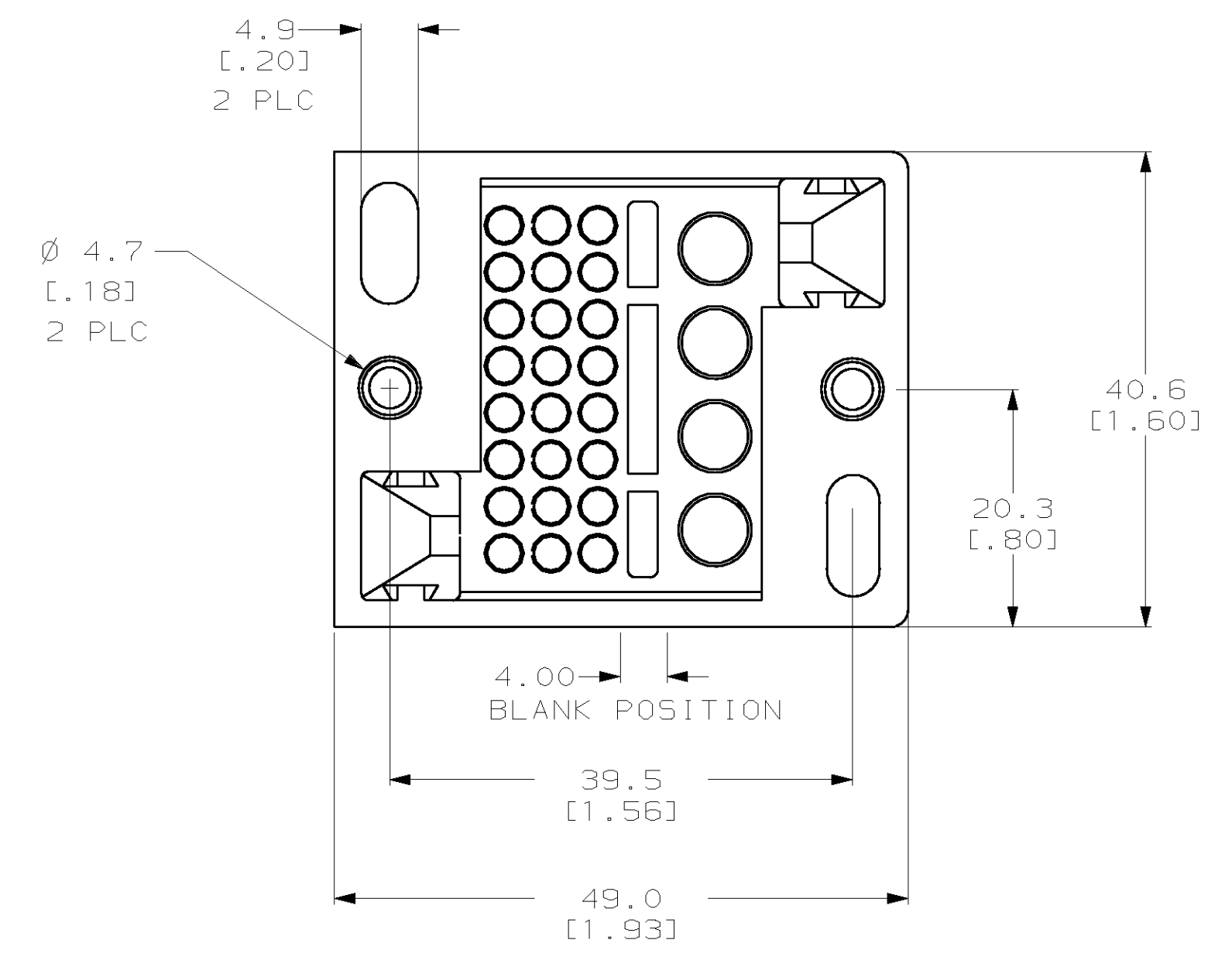
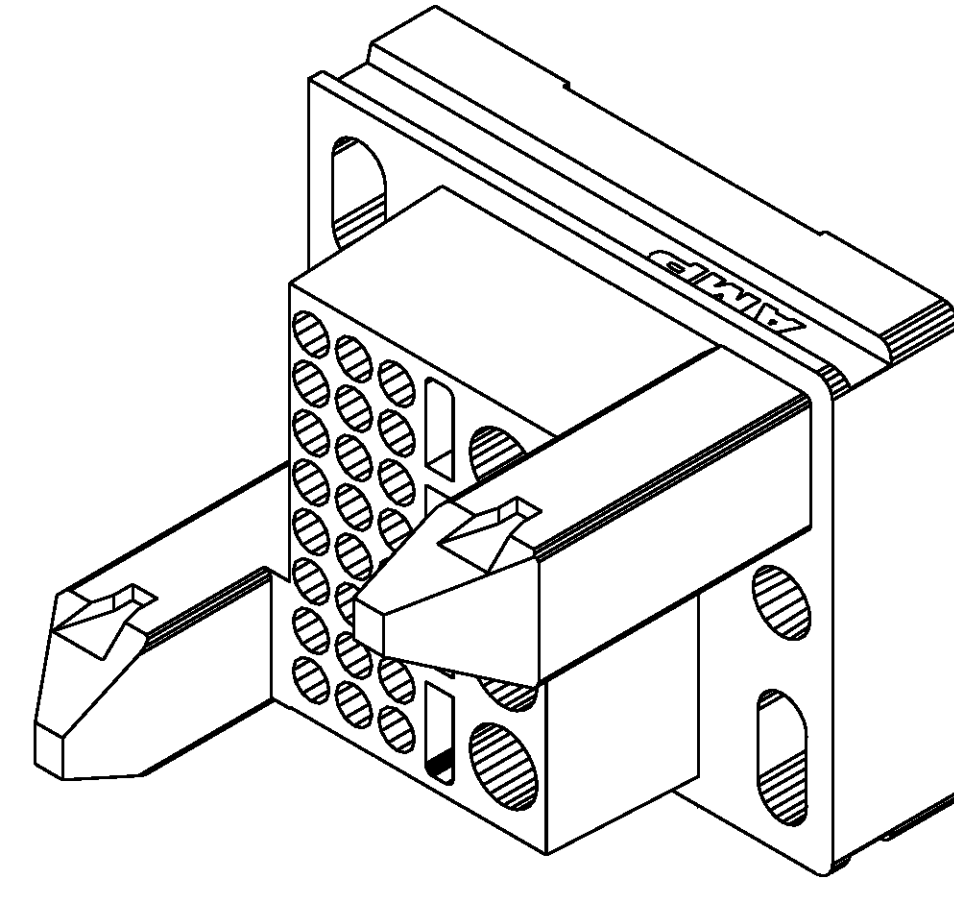
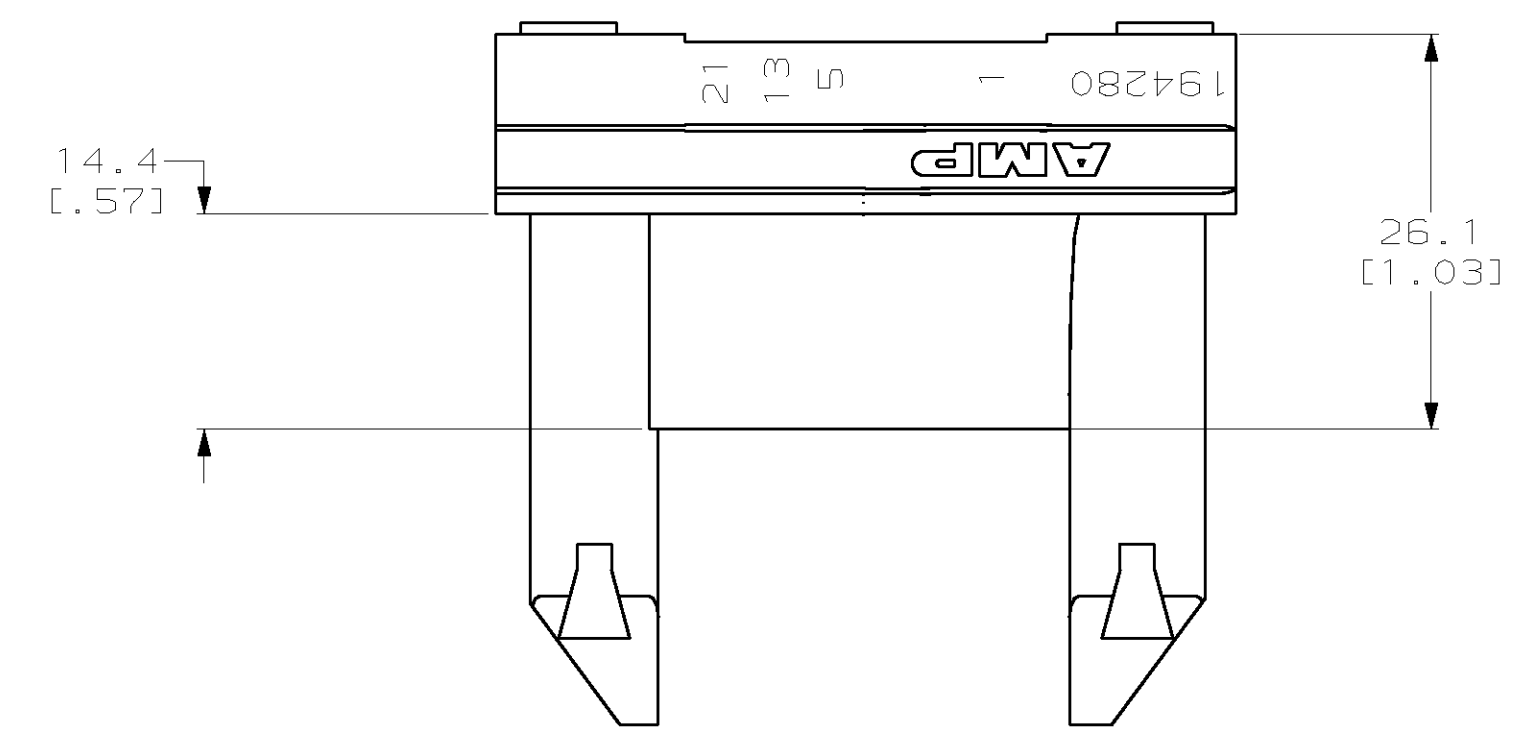


REVISIONS		DATE	OWN	APPD
0	RELEASED FOR PRODUCTION	8-AUG/98	DAP	RAR
A	EC OB20-0118-99	25/JAN/99	RNP	RAR

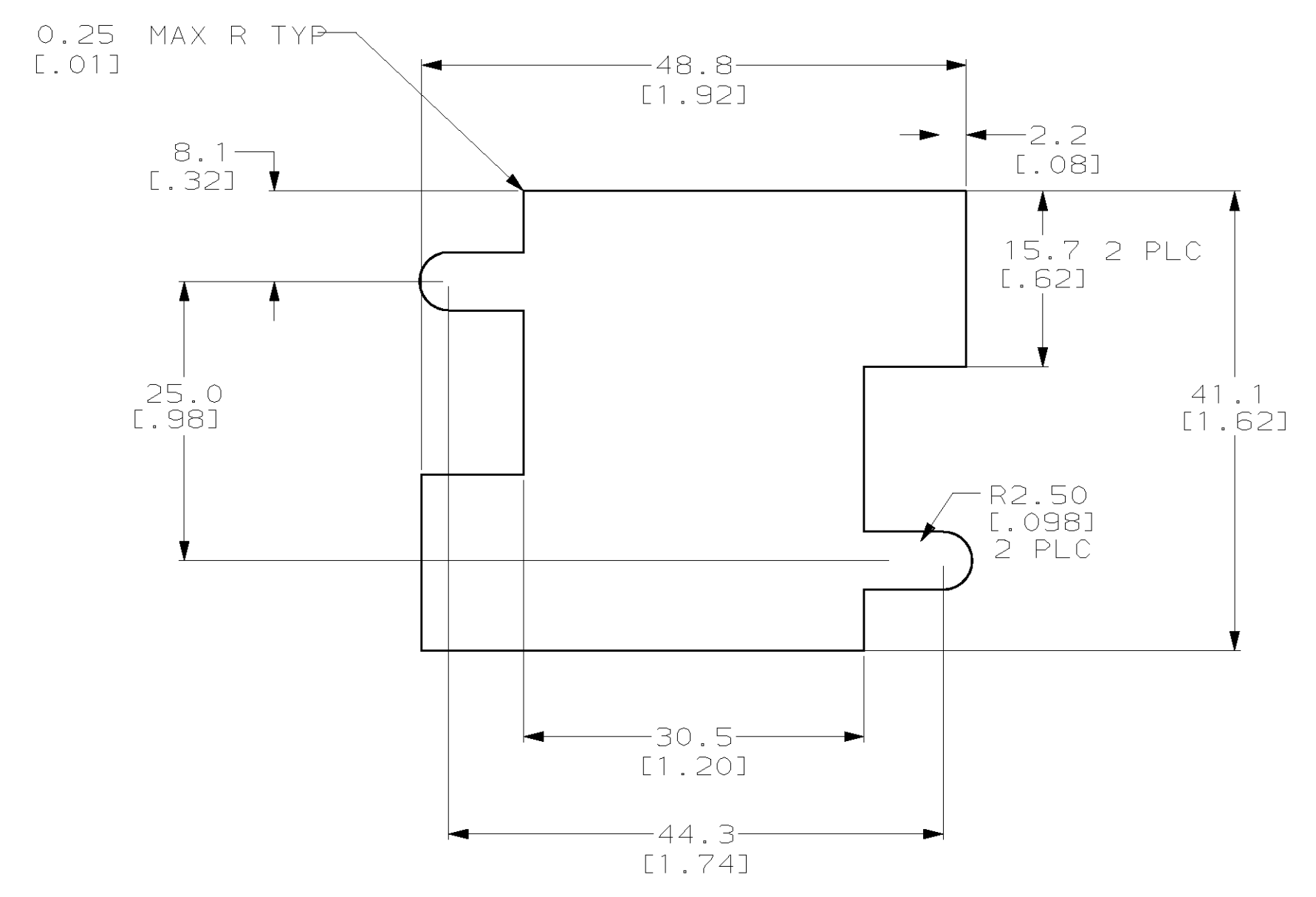
* AMPPOWER is a trademark

1. MATERIAL: POLYESTER PCT, BLACK.
2. POSITIONS 1-4 ARE FOR 3mm CONTACTS.
3. POSITIONS 5-28 ARE FOR SIZE 16 CONTACTS.
4. ALL DIMENSIONS EXCEPT PANEL CUT OUTS ARE REFERENCE ONLY.

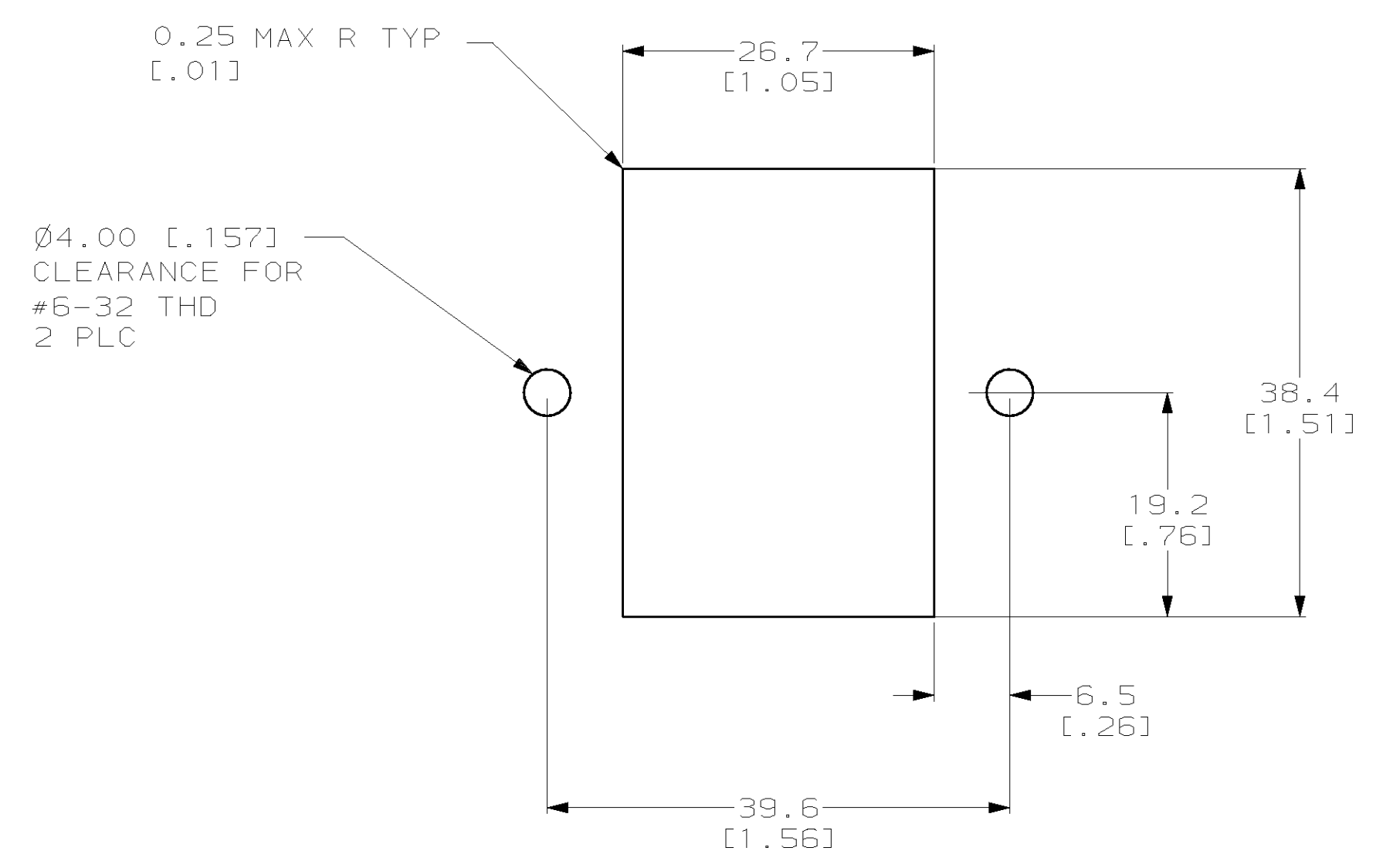


#6-32 THREADED INSERT (REAR MOUNTED)	194280-4
NO INSERTS	194280-1
DESCRIPTION	PART NO

<small>THIS DRAWING IS A CONTROLLED DOCUMENT AND THE INFORMATION IT IS SUBJECT TO CHANGE AND THE CONTROLLING ENGINEERING DEPARTMENT SHALL BE CONTACTED FOR THE LATEST REVISION.</small>		DWN D.A. PUERNER 16/JUN/98
DIMENSIONS: mm (in)		DRAWING NO C=194280
TOLERANCES UNLESS OTHERWISE SPECIFIED: 0 PLC ±.01 1 PLC ±.01 2 PLC ±.01 3 PLC ±.01 4 PLC ±.01 ANGLES ±.01		AMP Incorporated Harrisburg, PA 17105-3608 AMPPOWER* Multi Pin Plus PLUG, 28 POSITION
MATERIAL POLYESTER PCT, BLACK		SIZE A1
FINISH -		CAGE CODE 00779
CUSTOMER DRAWING		SCALE NONE



RECOMMENDED FLOAT MOUNT PANEL CUTOUT
 EXTERNAL VIEW



RECOMMENDED STATIONARY MOUNT PANEL CUTOUT
 EXTERNAL VIEW

THIS DRAWING IS A CONTROLLED DOCUMENT.		Dwn D.A. PUERNER	11/DEC/96	AMP Incorporated Harrisburg, PA 17105-3608	
DIMENSIONS mm [in.]		CH	-	NAME AMPOWER* Multi Pin Plus PLUG, 28 POSITION	
TOLERANCES UNLESS OTHERWISE SPECIFIED:		APVD	-	PRODUCT SPEC	
0 PLC ±		APPLICATION SPEC	-	SCALE NONE	
1 PLC ±		WEIGHT	-	SHEET 2 OF 2	
2 PLC ±0.20 [.008]		CUSTOMER DRAWING	-	REV A	
3 PLC ±0.10 [.004]					
4 PLC ±					
ANGLES ±					
FINISH					