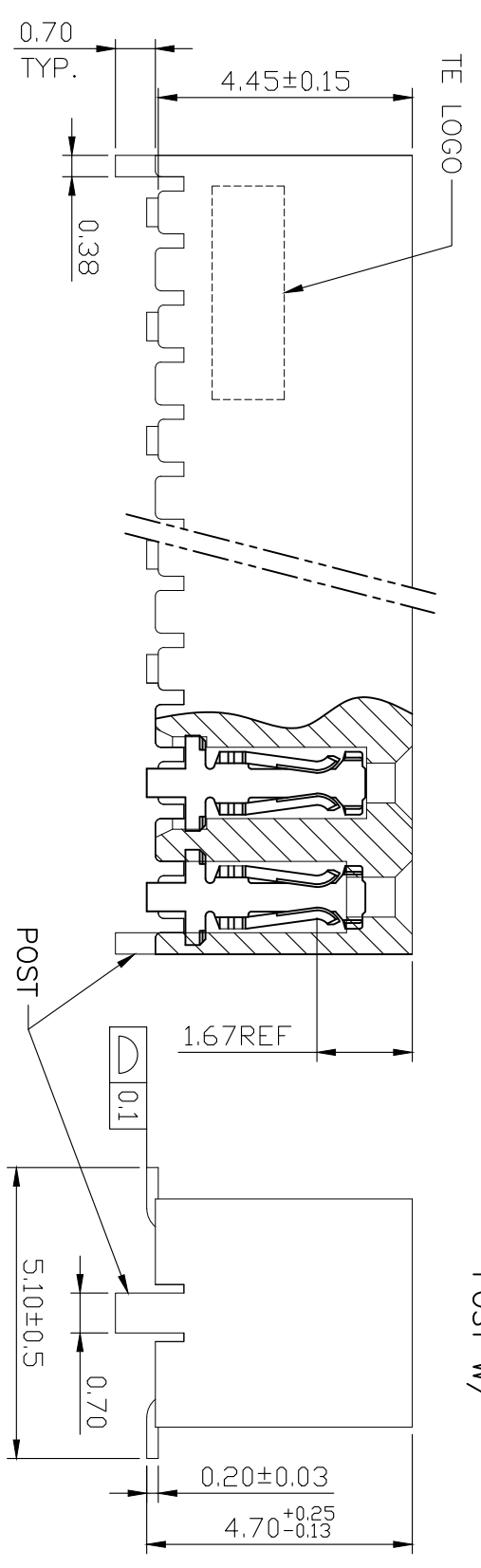
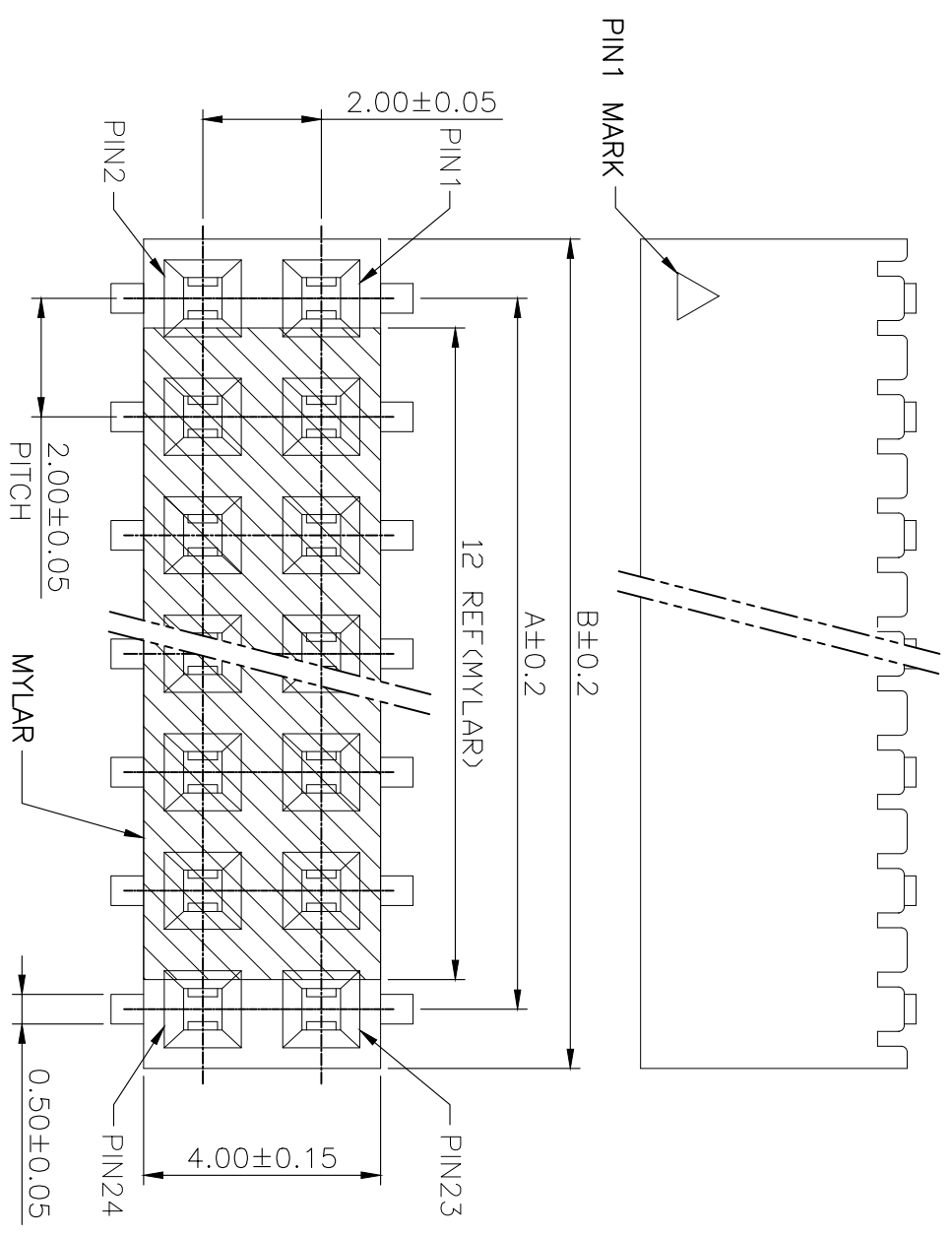


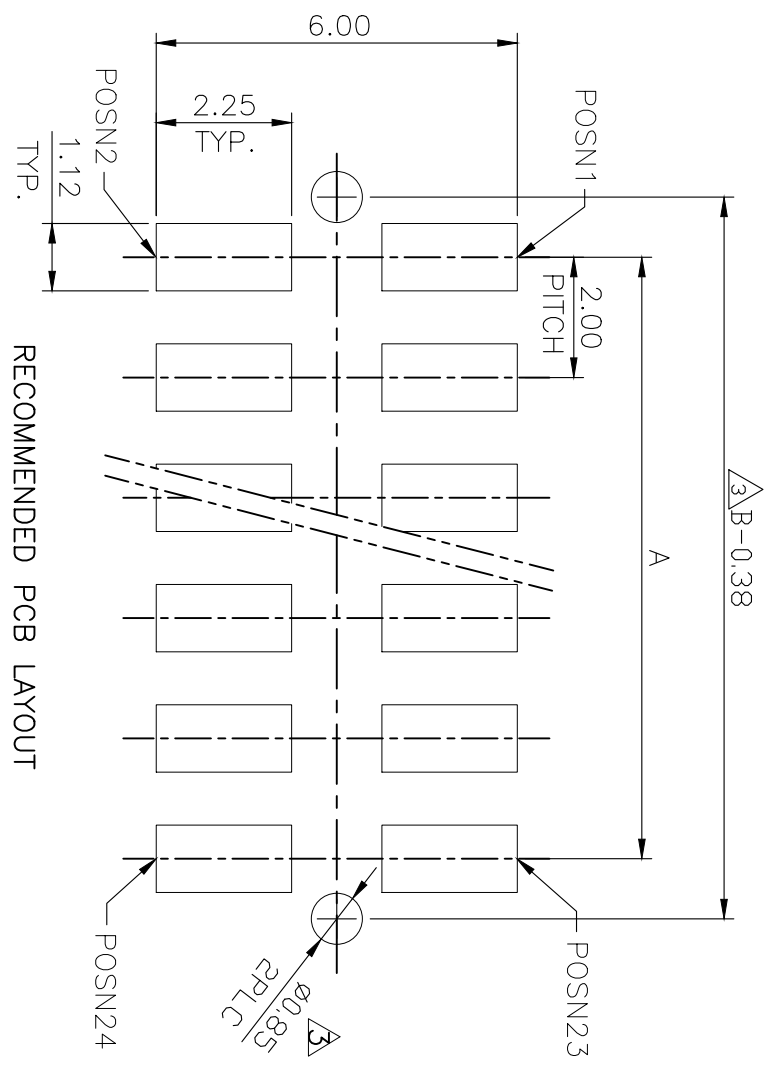
P	LTR	DESCRIPTION	DATE	DMN	APVD
A3		16 POSITION PN INFORMATION ADDED	09JAN2018	RK	PS

REVISIONS



POST W/

POST W/O



RECOMMENDED PCB LAYOUT  
 TOLERANCE ±0.05

W/O	W/	W/O	W/	POST	POS	PART NUMBER
16	16	24	24	B	A	6-2041069-6
14	14	22	22	A		1-2041069-6
16	16	24	24			7-2041069-4
16	16	24	24			2-2041069-4

STE TE Connectivity

AMPMODU 2.00mm PITCH, DUAL ROW,  
 REC., SURFACE MOUNT

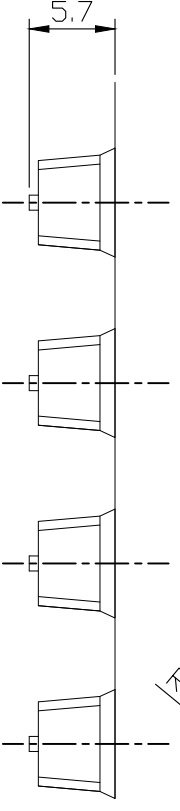
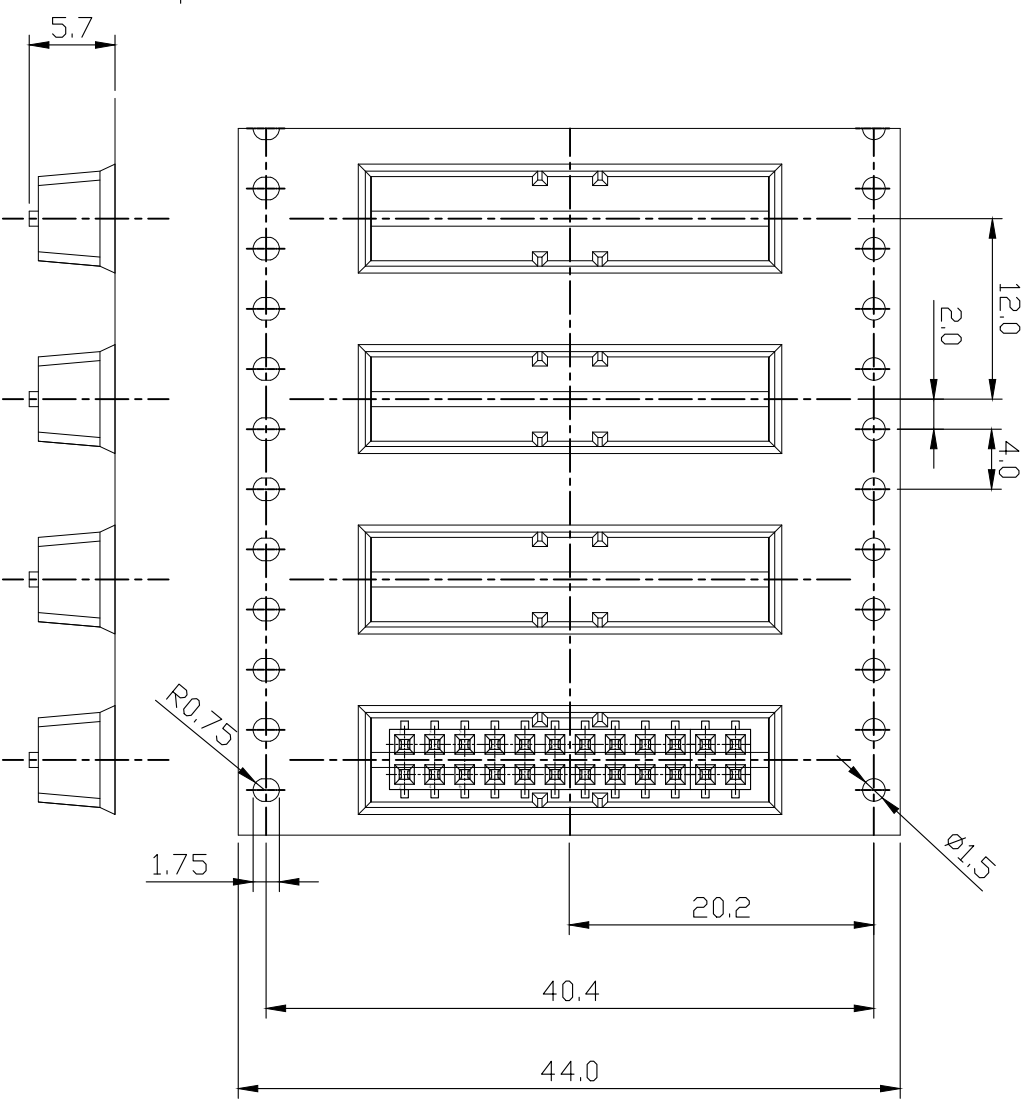
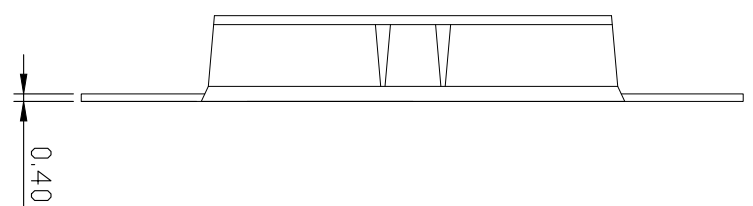
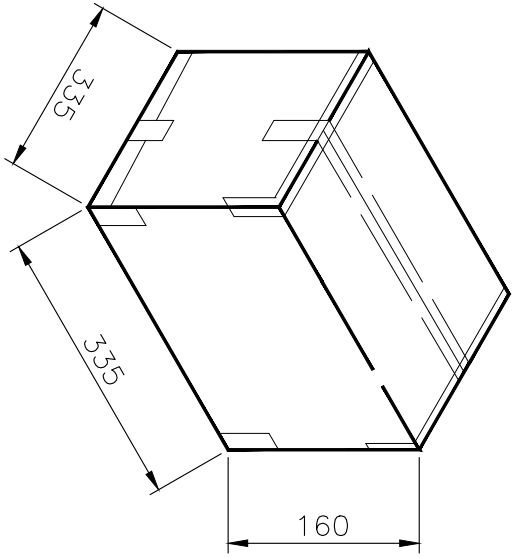
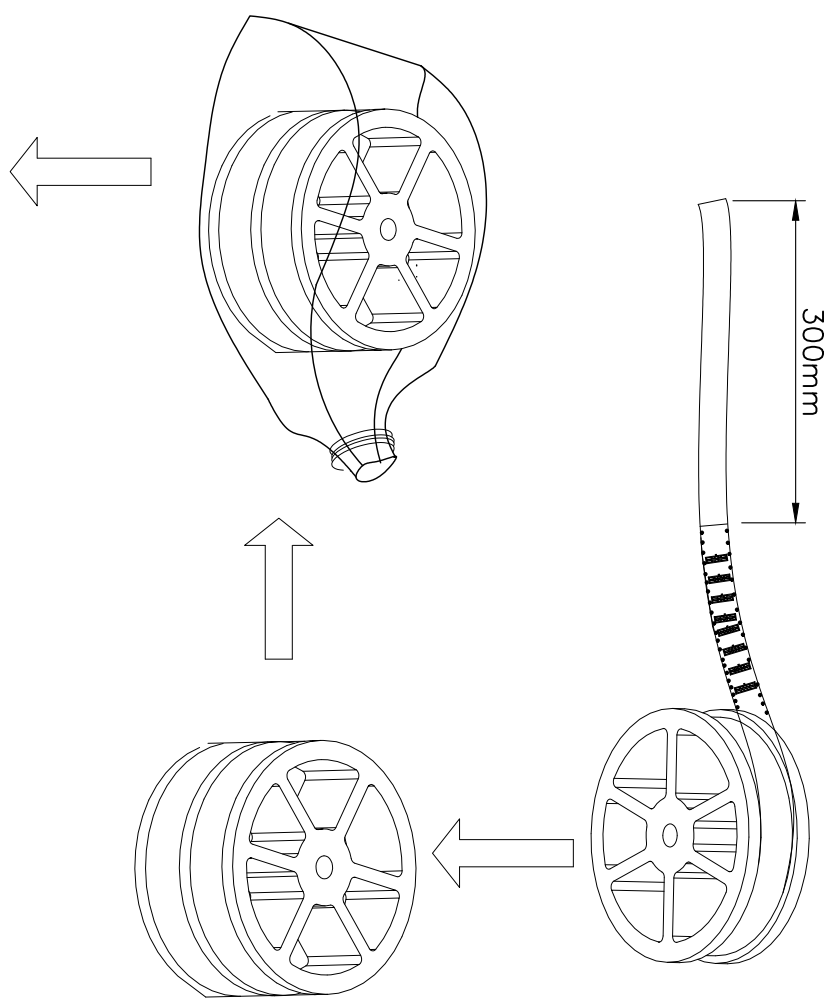
NOTE:

- 1 MATERIAL: HOUSING: LCP GF30%, UL 94V-0, COLOR: BLACK.  
 CONTACT: PHOSPHOR BRONZE  
 MYLAR: POLYIMIDE FILM
- 2 FINISH: Au 0.762µm [30µ"] MIN. AT THE CONTACT AREA.  
 MATTE Tin 2.54µm [100µ"] MIN. AT THE SOLDER TAIL AREA.  
 Ni 1.27µm [50µ"] MIN. UNDER PLATED ALL OVER.
- 3 POST APPLY PN USED
- 4 REFLOW SOLDER CAPABLE TO 260°C PER TE TEST SPEC.  
 109-201, CONDITION B.
- 5 QUALIFICATION TEST REPORT: 501-57197

THIS DRAWING IS A CONTROLLED DOCUMENT.	
DIMENSIONS: mm	TOLERANCES UNLESS OTHERWISE SPECIFIED:
0 PLC	± -
1 PLC	± 0.3
2 PLC	± 0.2
3 PLC	± -
4 PLC	± -
ANGLES	± 3'
FINISH	
MATERIAL	

DMN	18AUG2006	NAME	
O.HU	18AUG2006	APVD	W.J.LKE
S.HOU	18AUG2006	PRODUCT SPEC	108-57707
		APPLICATION SPEC	
		WEIGHT	
CUSTOMER DRAWING		SIZE	A3
		CAGE CODE	00779
		DRAWING NO	2041069
		SCALE	1:1
		SHEET	1 OF 2
		REV	A3

REVISIONS		DATE	DMN	APVD
P	LTR	DESCRIPTION		
-	-	SEE SHEET 1	-	-



900	3	2700	3.6	1.9
PCS/ REEL	REELS/ SHIPPING BOX	QUANTITY (PCS)	G/W (kg)	N/W (kg)

**STE** TE Connectivity

AMPMODU 2.00mm PITCH, DUAL ROW,  
 REC., SURFACE MOUNT

THIS DRAWING IS A CONTROLLED DOCUMENT.		NAME	
DIMENSIONS: mm		APVD W.J.KE	
TOLERANCES UNLESS OTHERWISE SPECIFIED:		PRODUCT SPEC 108-57707	
0 PLC ± -		APPLICATION SPEC	
1 PLC ± 0.3		WEIGHT	
2 PLC ± 0.2		-	
3 PLC ± -		CUSTOMER DRAWING	
4 PLC ± -		SIZE	
FINISH		A3	
SEE SHEET 1		CAGE CODE	
		00779	
		DRAWING NO	
		2041069	
		SCALE	
		1:1	
		SHEET	
		2 OF 2	
		REV	
		A3	