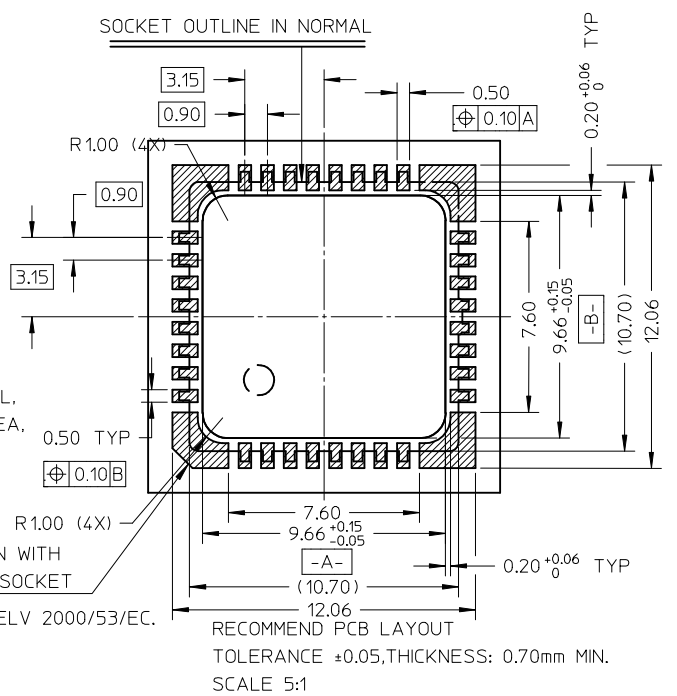
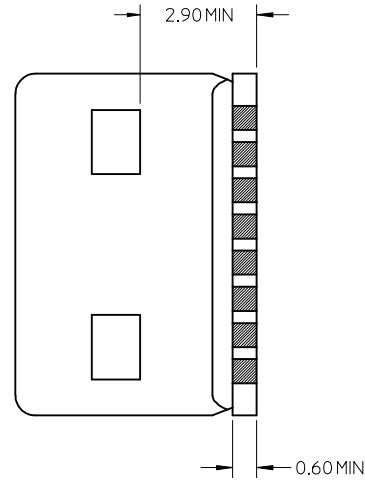
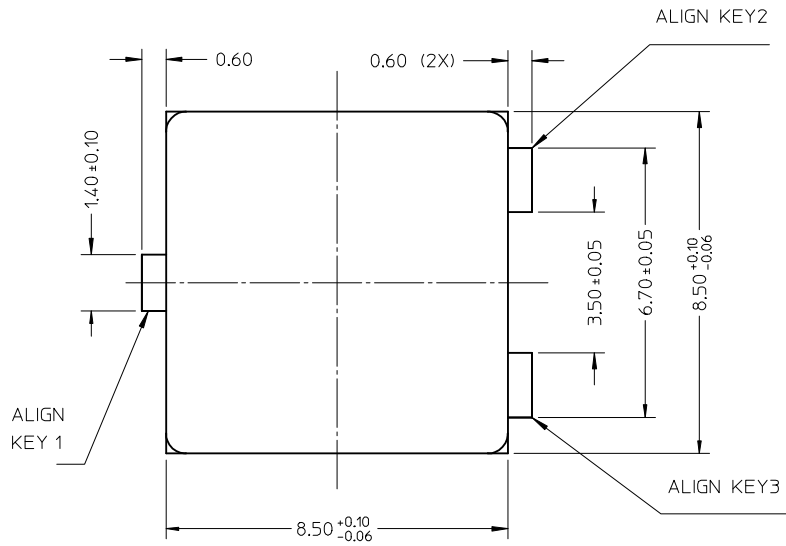


- NOTES:
- MATERIALS  
HOUSING: HIGH TEMPERATURE PLASTICS, BLACK, UL94 V-0  
TERMINAL: COPPER ALLOY.  
SHELL: COPPER ALLOY.
  - FINISH  
TERMINAL: 2-4 MICROMETER NICKEL UNDERPLATING OVERALL,  
GOLD PLATING 0.3 MICROMETER ON CONTACT AREA,  
GOLD FLASH PLATING ON SOLDER AREA.  
SHELL: 1.27 MICROMETER MIN SOLDERABILITY NICKEL UNDERPLATING OVERALL
  - PRODUCT SPECIFICATION: RPS-105028-201.
  - PACKAGING: TAPE&REEL.DETAIL SEE PK-105028-201.
  - APPLICABLE CAMERA MODULE SEE SHEET 3.
  - 1050282001 COMPLIANT TO RoHS DIRECTIVE 2002/95/EC AND ELV 2000/53/EC.
  - DATE CODE CONTAIN: YYMMDD(YEAR-MONTH-DAY).
  - A SUPPORTING MECHANISM IS NEEDED UNDER THE SOCKET.

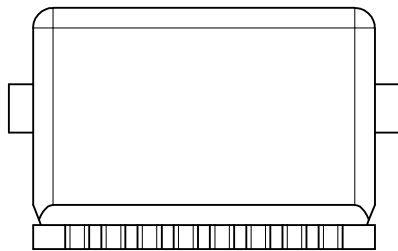
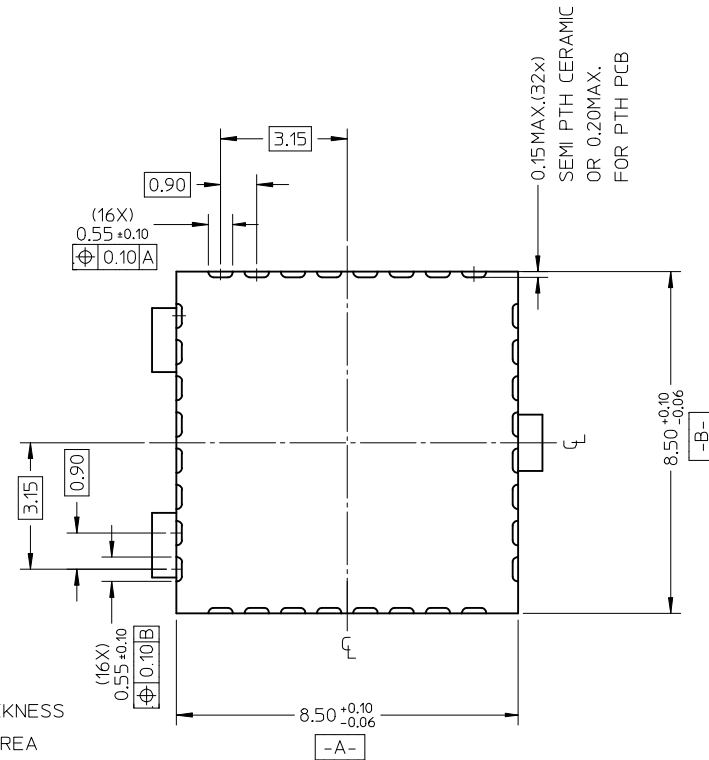


REVISED EC NO: SH2013-0427 DRAWN: CGL CHKD: APPR: AYIN 1	DESCRIPTION 2013/05/29 2013/07/18	QUALITY SYMBOLS	GENERAL TOLERANCES (UNLESS SPECIFIED)		DIMENSION STYLE MM ONLY		SCALE 8:1	DESIGN UNITS METRIC	THIRD ANGLE PROJECTION		
		$F_A=0$	mm	INCH	DRAWN BY CGL	DATE 2013/05/29	TITLE 8.5*8.5 CAMERA SOCKET SINK TYPE CONNECTOR				
		$F_B=0$	4 PLACES ± --- ± ---	3 PLACES ± --- ± ---	CHECKED BY	DATE	molex				
		$F_C=0$	2 PLACES ± 0.10 ± ---	1 PLACE ± 0.15 ± ---	APPROVED BY AYIN	DATE 2013/07/18					
		ANGULAR ± 2 °	DRAFT WHERE APPLICABLE MUST REMAIN WITHIN DIMENSIONS		MATERIAL NO. 1050282001	DOCUMENT NO. RSD-105028-201	SHEET NO. 1 OF 2				
THIS DRAWING CONTAINS INFORMATION THAT IS PROPRIETARY TO MOLEX INCORPORATED AND SHOULD NOT BE USED WITHOUT WRITTEN PERMISSION											

# APPLIED CAMERA MODULE

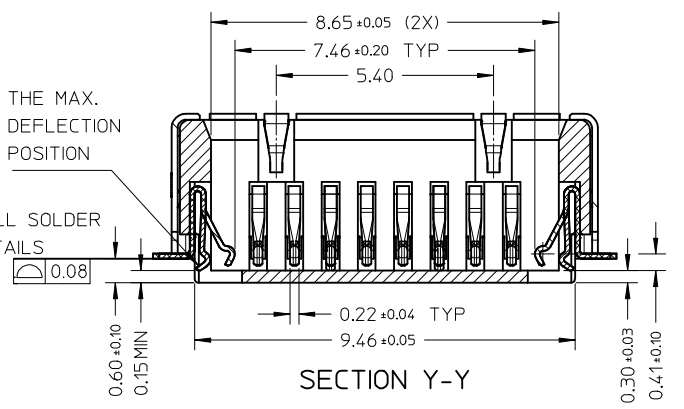
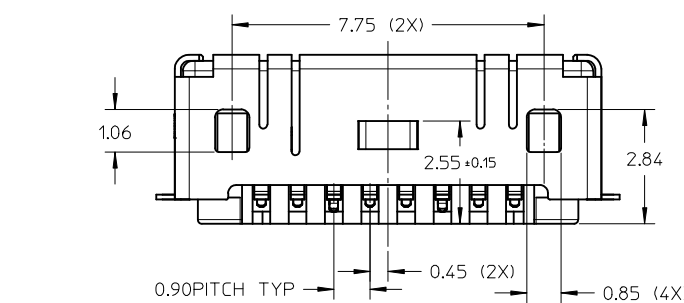
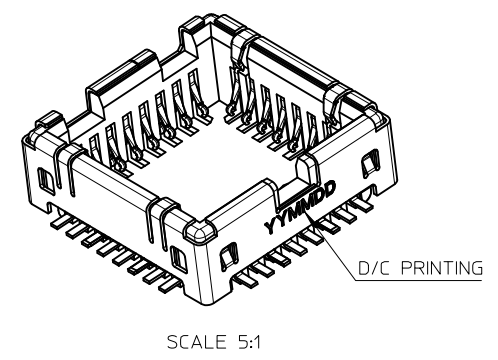
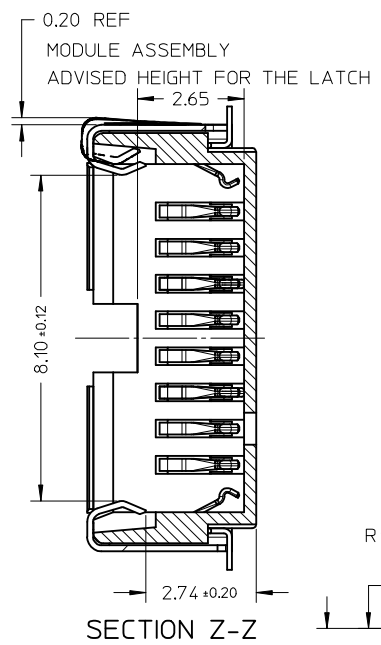
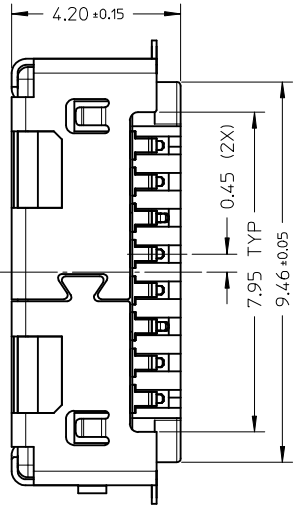
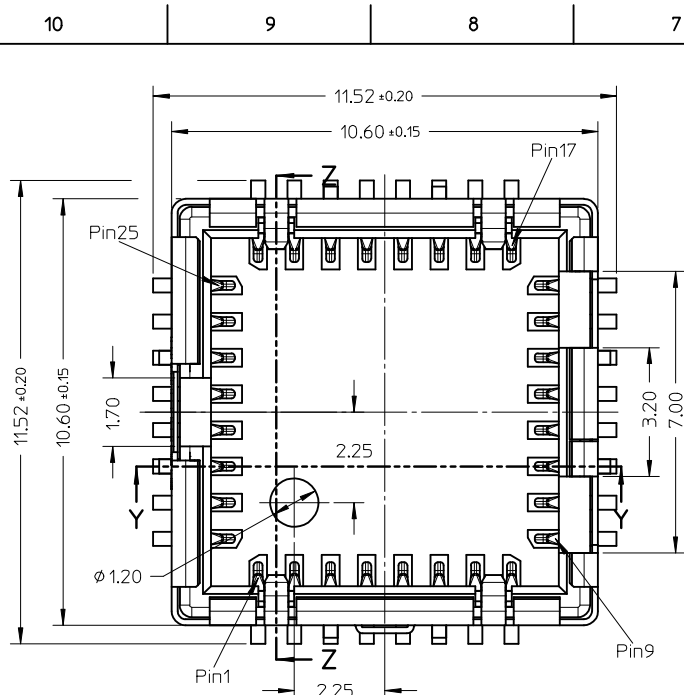


SEMI PTH THICKNESS  
IN CONTACT AREA  
OR 0.50MIN  
PTH THICKNESS IN  
CONTACT AREA



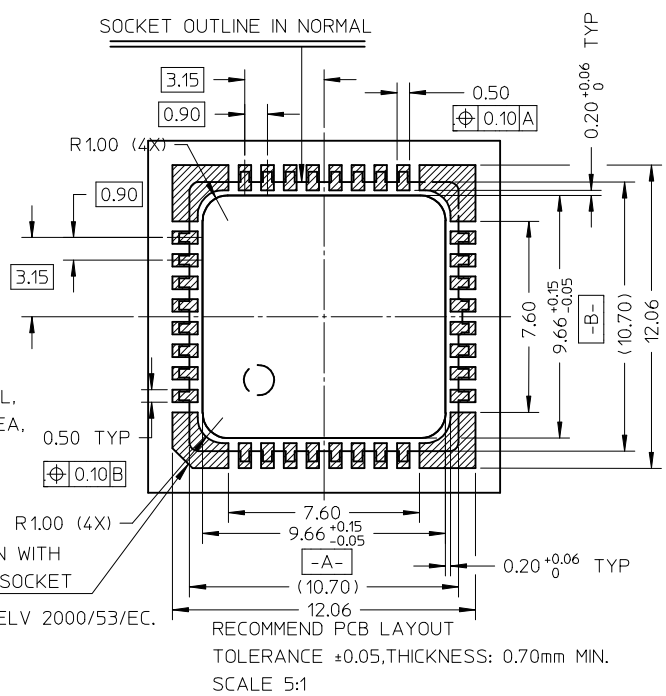
NOTES:  
ALIGN KEYS ARE OPTION BY CUSTOMER.

<b>RELEASE</b> EC NO: SH2013-0427 DRW: CGL CHKD: APPR: AYIN 2013/05/29 2013/07/18	DESCRIPTION 1	QUALITY SYMBOLS	GENERAL TOLERANCES (UNLESS SPECIFIED)		DIMENSION STYLE <b>MM ONLY</b>		SCALE <b>8:1</b>	DESIGN UNITS <b>METRIC</b>	THIRD ANGLE PROJECTION	
		$F_A = 0$	mm	INCH	DRAWN BY CGL	DATE 2013/05/29	TITLE <b>8.5*8.5 CAMERA SOCKET SINK TYPE CONNECTOR</b>			
		$F_G = 0$	4 PLACES ± ---	± ---	CHECKED BY	DATE	<b>molex</b> DOCUMENT NO. <b>RSD-105028-201</b> SHEET NO. <b>2 OF 2</b>			
		$F_P = 0$	3 PLACES ± ---	± ---	APPROVED BY AYIN	DATE 2013/07/18				
DRAFT WHERE APPLICABLE MUST REMAIN WITHIN DIMENSIONS		2 PLACES ± 0.10	± ---	MATERIAL NO. <b>N/A</b>						
		1 PLACE ± 0.15	± ---	SIZE <b>A3</b>		THIS DRAWING CONTAINS INFORMATION THAT IS PROPRIETARY TO MOLEX INCORPORATED AND SHOULD NOT BE USED WITHOUT WRITTEN PERMISSION				
		ANGULAR ± 2 °								



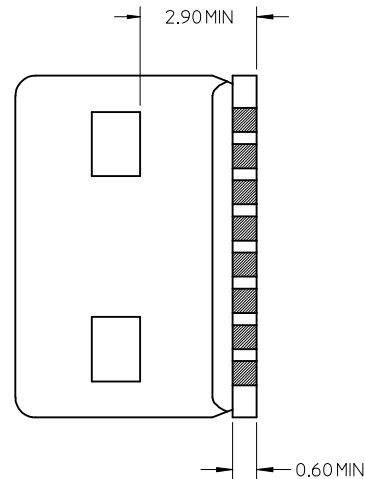
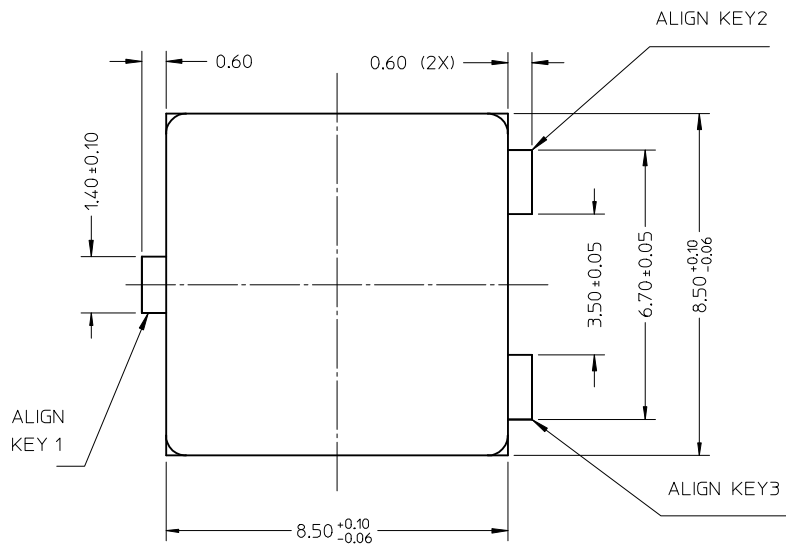
NOTES:

1. MATERIALS  
HOUSING: HIGH TEMPERATURE PLASTICS, BLACK, UL94 V-0  
TERMINAL: COPPER ALLOY.  
SHELL: COPPER ALLOY.
2. FINISH  
TERMINAL: 2-4 MICROMETER NICKEL UNDERPLATING OVERALL,  
GOLD PLATING 0.3 MICROMETER ON CONTACT AREA,  
GOLD FLASH PLATING ON SOLDER AREA.  
SHELL: 1.27 MICROMETER MIN SOLDERABILITY NICKEL UNDERPLATING OVERALL
3. PRODUCT SPECIFICATION: RPS-105028-201.
4. PACKAGING: TAPE&REEL.DETAIL SEE PK-105028-201.
5. APPLICABLE CAMERA MODULE SEE SHEET 3.
6. 1050282001 COMPLIANT TO RoHS DIRECTIVE 2002/95/EC AND ELV 2000/53/EC.
7. DATE CODE CONTAIN: YYMMDD(YEAR-MONTH-DAY).
8. A SUPPORTING MECHANISM IS NEEDED UNDER THE SOCKET.

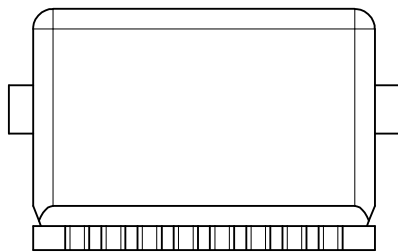
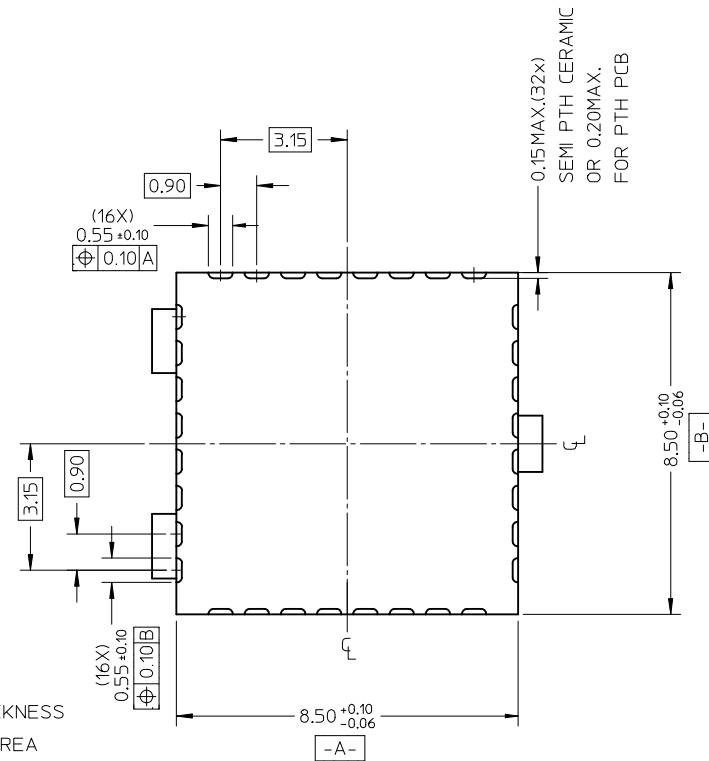


REVISED EC NO: SH2013-0427 DRAWN: CGL CHKD: APPR: AYIN 2013/05/29 2013/07/18	DESCRIPTION	QUALITY SYMBOLS	GENERAL TOLERANCES (UNLESS SPECIFIED)		DIMENSION STYLE MM ONLY		SCALE 8:1	DESIGN UNITS METRIC	THIRD ANGLE PROJECTION
		$F_A=0$	mm	INCH	DRAWN BY CGL	DATE 2013/05/29	TITLE 8.5*8.5 CAMERA SOCKET SINK TYPE CONNECTOR		
		$F_B=0$	4 PLACES ± --- ± ---	3 PLACES ± --- ± ---	CHECKED BY	DATE	APPROVED BY AYIN		
		$F_C=0$	2 PLACES ± 0.10 ± ---	1 PLACE ± 0.15 ± ---	APPROVED BY AYIN	DATE 2013/07/18	MATERIAL NO. 1050282001		
1	REV	DRAFT WHERE APPLICABLE MUST REMAIN WITHIN DIMENSIONS	ANGULAR ± 2 °		MATERIAL NO. 1050282001		DOCUMENT NO. RSD-105028-201	SHEET NO. 1 OF 2	
THIS DRAWING CONTAINS INFORMATION THAT IS PROPRIETARY TO MOLEX INCORPORATED AND SHOULD NOT BE USED WITHOUT WRITTEN PERMISSION									

# APPLIED CAMERA MODULE



SEMI PTH THICKNESS  
IN CONTACT AREA  
OR 0.50MIN  
PTH THICKNESS IN  
CONTACT AREA

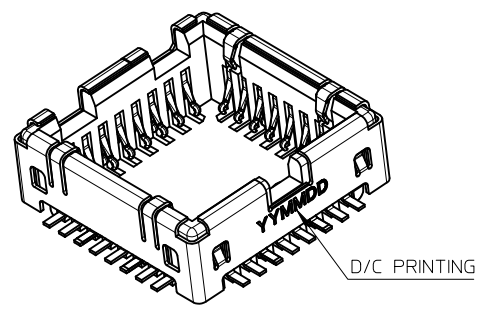
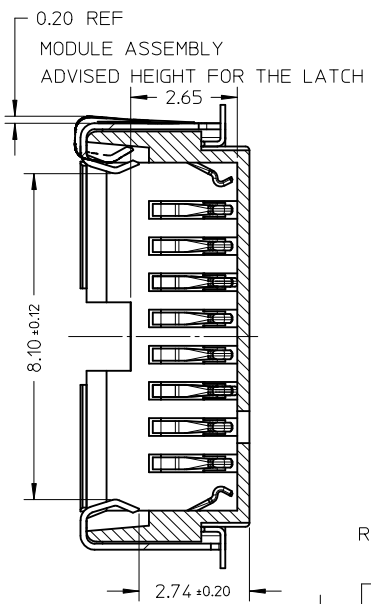
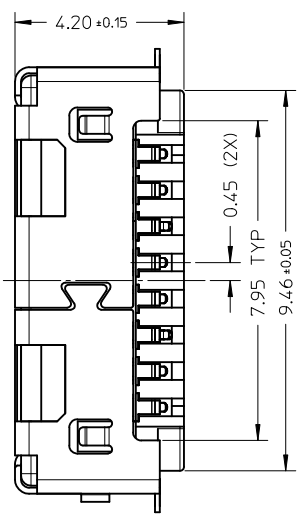
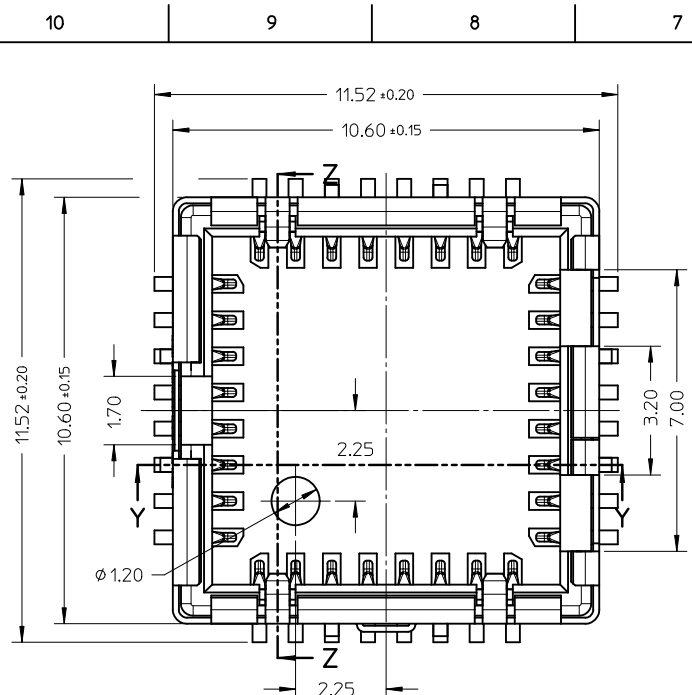


NOTES:  
ALIGN KEYS ARE OPTION BY CUSTOMER.

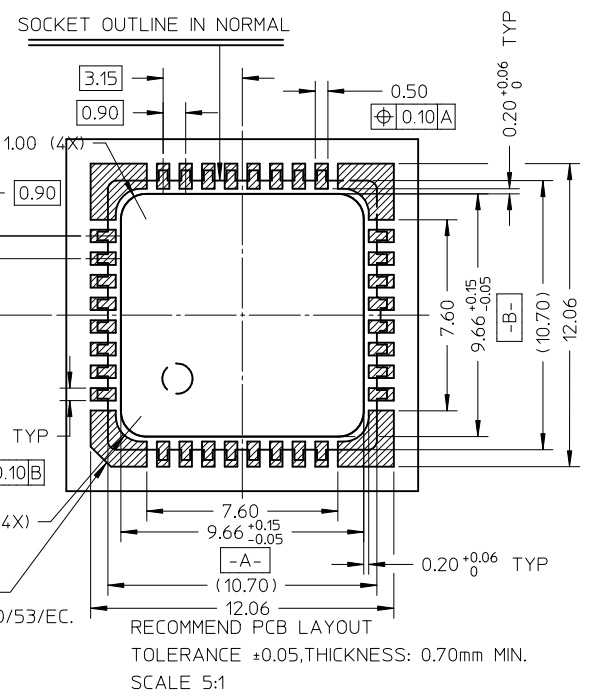
<b>RELEASE</b> EC NO: SH2013-0427 DRW: CGL CHKD: APPR: AYIN 2013/05/29 2013/07/18	DESCRIPTION 1	QUALITY SYMBOLS	GENERAL TOLERANCES (UNLESS SPECIFIED)		DIMENSION STYLE <b>MM ONLY</b>		SCALE <b>8:1</b>	DESIGN UNITS <b>METRIC</b>	THIRD ANGLE PROJECTION	
		$\nabla_A = 0$	mm	INCH	DRAWN BY CGL	DATE 2013/05/29	TITLE <b>8.5*8.5 CAMERA SOCKET SINK TYPE CONNECTOR</b>			
		$\nabla_C = 0$	4 PLACES $\pm$ ---	$\pm$ ---	CHECKED BY	DATE	<b>molex</b> DOCUMENT NO. <b>RSD-105028-201</b> SHEET NO. <b>2 OF 2</b>			
		$\nabla_P = 0$	3 PLACES $\pm$ ---	$\pm$ ---	APPROVED BY AYIN	DATE 2013/07/18				
DRAFT WHERE APPLICABLE MUST REMAIN WITHIN DIMENSIONS		2 PLACES $\pm 0.10$	$\pm$ ---	MATERIAL NO. <b>N/A</b>		THIS DRAWING CONTAINS INFORMATION THAT IS PROPRIETARY TO MOLEX INCORPORATED AND SHOULD NOT BE USED WITHOUT WRITTEN PERMISSION				
		1 PLACE $\pm 0.15$	$\pm$ ---	SIZE <b>A3</b>						





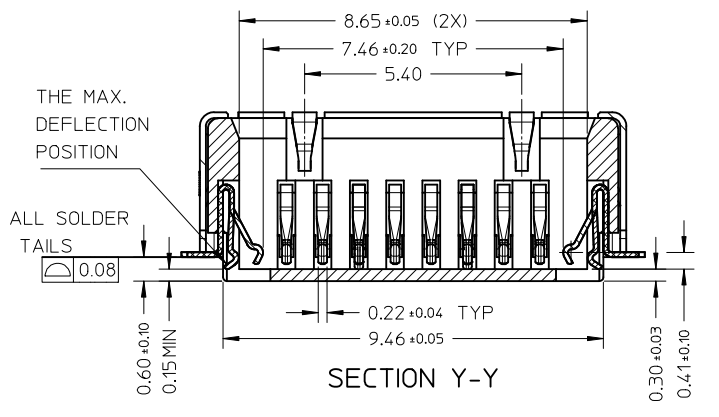
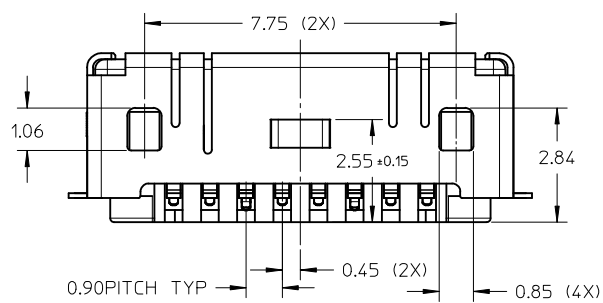


SCALE 5:1



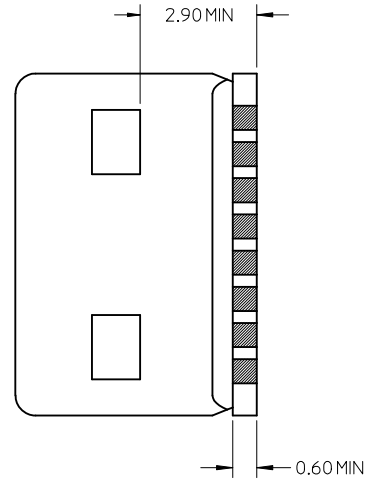
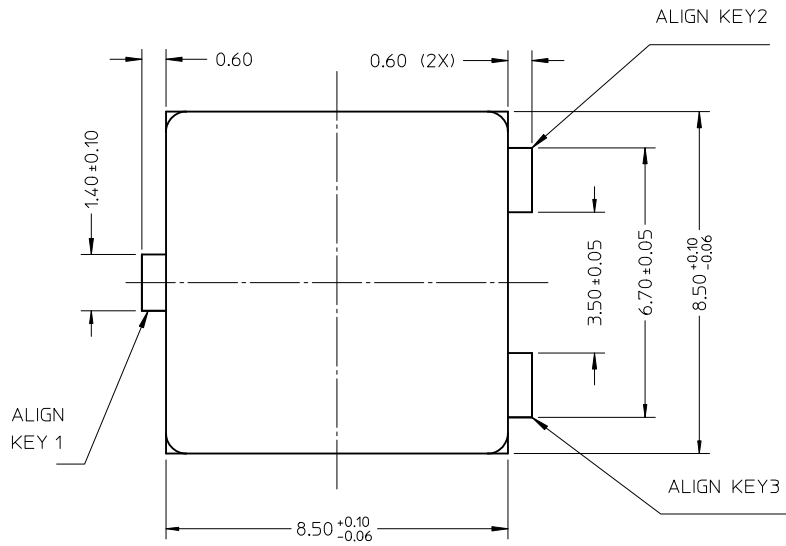
NOTES:

- MATERIALS  
HOUSING: HIGH TEMPERATURE PLASTICS, BLACK, UL94 V-0  
TERMINAL: COPPER ALLOY.  
SHELL: COPPER ALLOY.
- FINISH  
TERMINAL: 2-4 MICROMETER NICKEL UNDERPLATING OVERALL, GOLD PLATING 0.3 MICROMETER ON CONTACT AREA, GOLD FLASH PLATING ON SOLDER AREA.  
SHELL: 1.27 MICROMETER MIN SOLDERABILITY NICKEL UNDERPLATING OVERALL
- PRODUCT SPECIFICATION: RPS-105028-201.
- PAKAGING: TAPE&REEL.DETAIL SEE PK-105028-201.
- APPLICABLE CAMERA MODULE SEE SHEET 3.
- 1050282001 COMPLIANT TO RoHS DIRECTIVE 2002/95/EC AND ELV 2000/53/EC.
- DATE CODE CONTAIN: YYMMDD(YEAR-MONTH-DAY).
- A SUPPORTING MECHANISM IS NEEDED UNDER THE SOCKET.

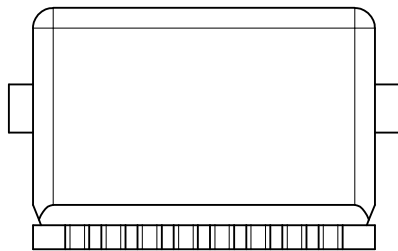
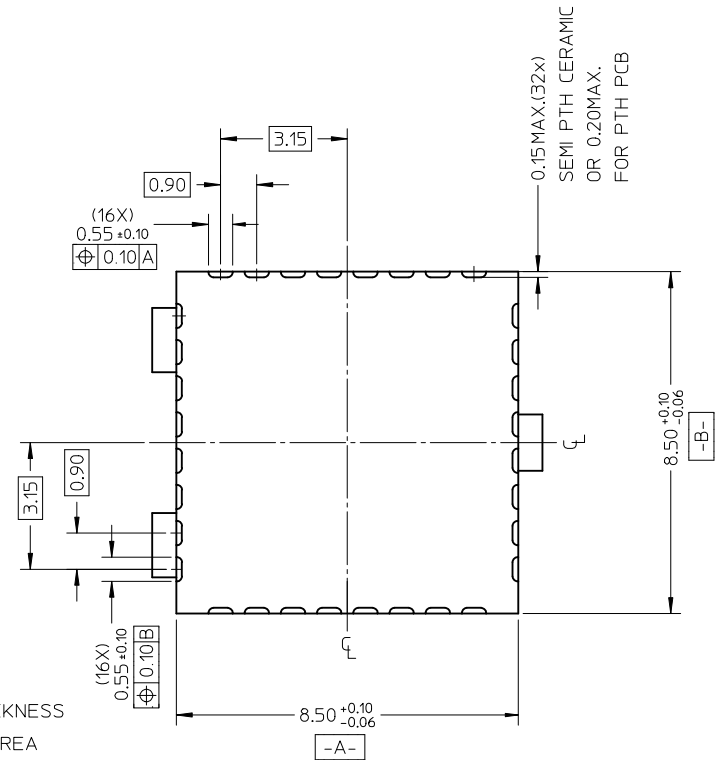


REVISED EC NO: SH2010-0371 DRWN: JCHENG 2010/03/24 CHKD: WFDENG 2009/04/27 APPR: WFDENG 2010/04/27	DESCRIPTION	QUALITY SYMBOLS	GENERAL TOLERANCES (UNLESS SPECIFIED)		DIMENSION STYLE		SCALE	DESIGN UNITS	THIRD ANGLE PROJECTION		
		$\nabla = 0$ $\nabla = 0$ $\nabla = 0$	mm	INCH	MM ONLY		8:1	METRIC			
		4 PLACES ± --- ± ---			DRAWN BY	DATE	TITLE				
		3 PLACES ± --- ± ---			WFDENG	2009/03/23	8.5*8.5 CAMERA SOCKET SINK TYPE CONNECTOR				
		2 PLACES ± 0.10 ± ---			CHECKED BY	DATE					
		1 PLACE ± 0.15 ± ---			WFDENG	2009/04/27					
		ANGULAR ± 2 °			APPROVED BY	DATE					
					WFDENG	2010/04/12					
		DRAFT WHERE APPLICABLE MUST REMAIN WITHIN DIMENSIONS			MATERIAL NO.	DOCUMENT NO.					
					1050282001	SD-105028-201		MOLEX INCORPORATED			
					SIZE A3	THIS DRAWING CONTAINS INFORMATION THAT IS PROPRIETARY TO MOLEX INCORPORATED AND SHOULD NOT BE USED WITHOUT WRITTEN PERMISSION					
								SHEET NO.			
								1 OF 2			

# APPLIED CAMERA MODULE



SEMI PTH THICKNESS  
IN CONTACT AREA  
OR 0.50MIN  
PTH THICKNESS IN  
CONTACT AREA



NOTES:  
ALIGN KEYS ARE OPTION BY CUSTOMER.

RELEASE EC NO: SH2010-0371 DRWN: JCHENG 2010/03/24 CHKD: WFDENG 2009/04/27 APPR: WFDENG 2010/04/21	DESCRIPTION A	QUALITY SYMBOLS	GENERAL TOLERANCES (UNLESS SPECIFIED)		DIMENSION STYLE MM ONLY		SCALE 8:1	DESIGN UNITS METRIC	THIRD ANGLE PROJECTION
		$F_A=0$	mm	INCH	DRAWN BY WFDENG	DATE 2009/03/23	TITLE 8.5*8.5 CAMERA SOCKET SINK TYPE CONNECTOR		
		$F_C=0$	4 PLACES ± ---	± ---	CHECKED BY WFDENG	DATE 2009/04/27	MOLEX INCORPORATED		
		$F_P=0$	3 PLACES ± ---	± ---	APPROVED BY WFDENG	DATE 2010/04/12	DOCUMENT NO. SD-105028-201	SHEET NO. 2 OF 2	
			2 PLACES ± 0.10	± ---	MATERIAL NO. N/A		THIS DRAWING CONTAINS INFORMATION THAT IS PROPRIETARY TO MOLEX INCORPORATED AND SHOULD NOT BE USED WITHOUT WRITTEN PERMISSION		
			1 PLACE ± 0.15	± ---	DRAFT WHERE APPLICABLE MUST REMAIN WITHIN DIMENSIONS				
			ANGULAR ± 2 °						