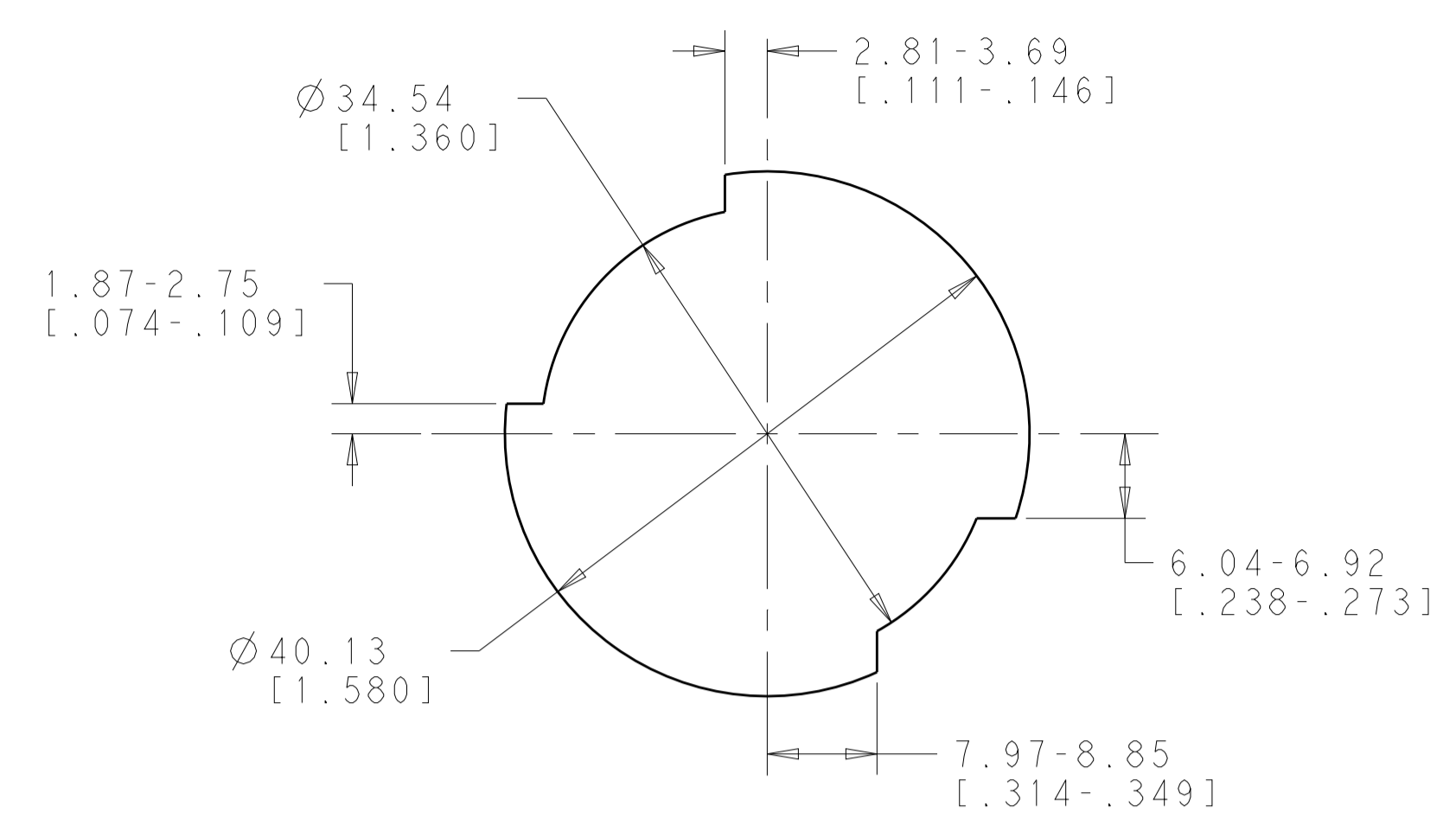
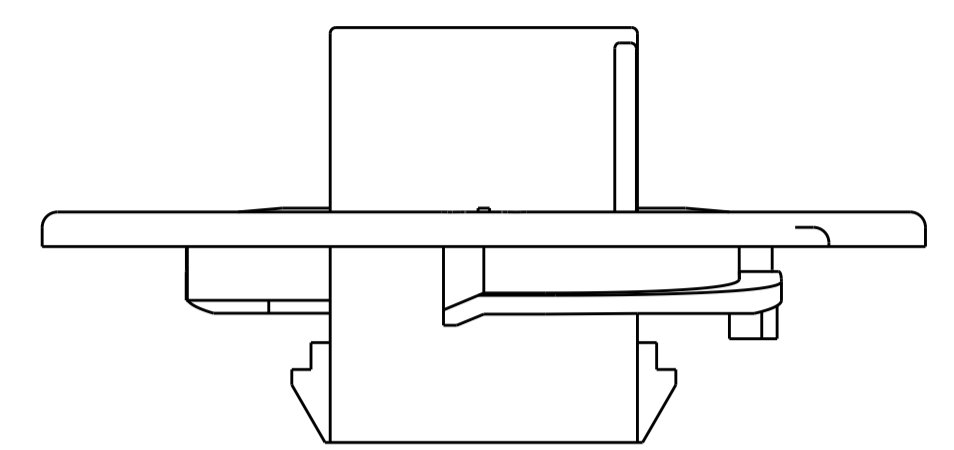
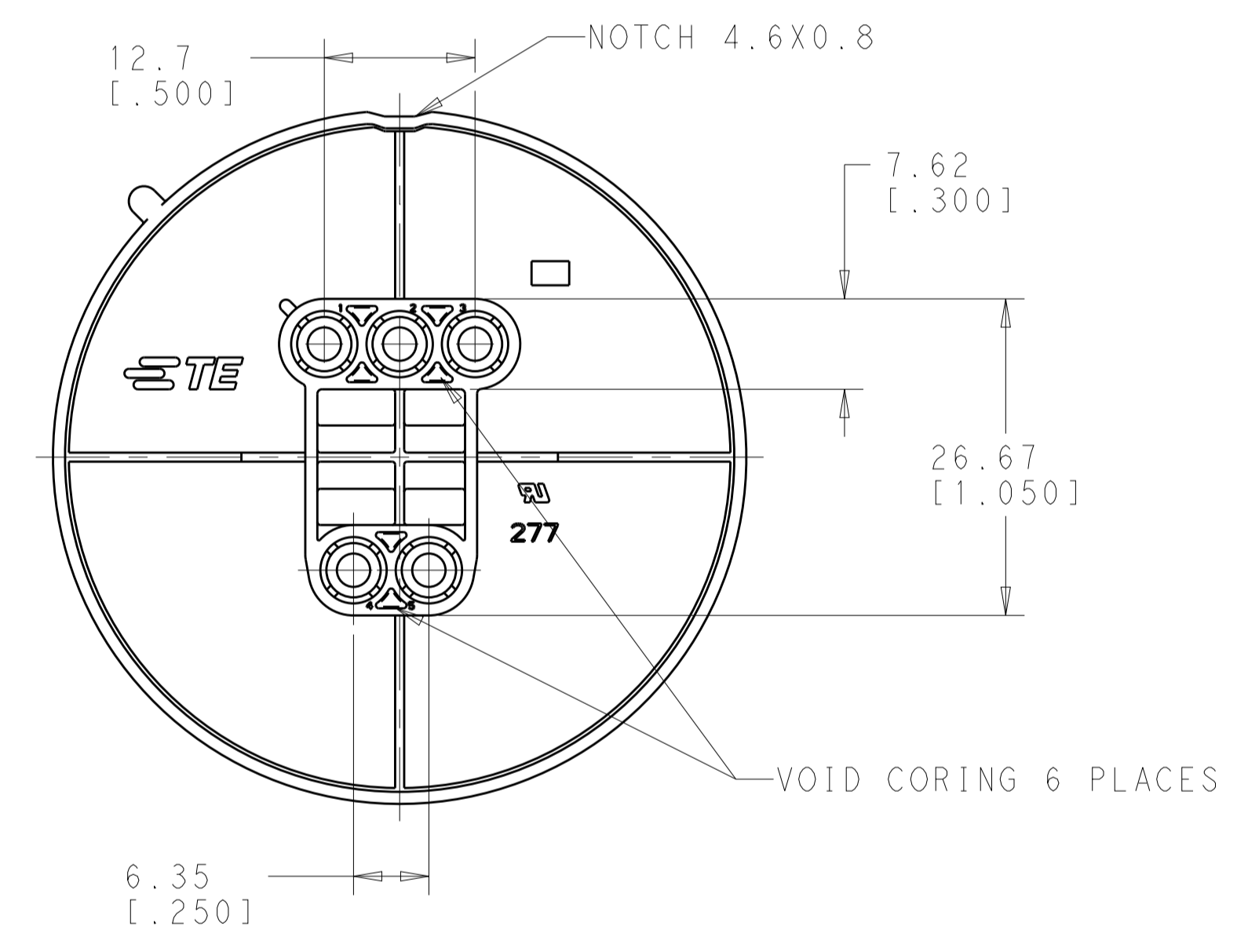
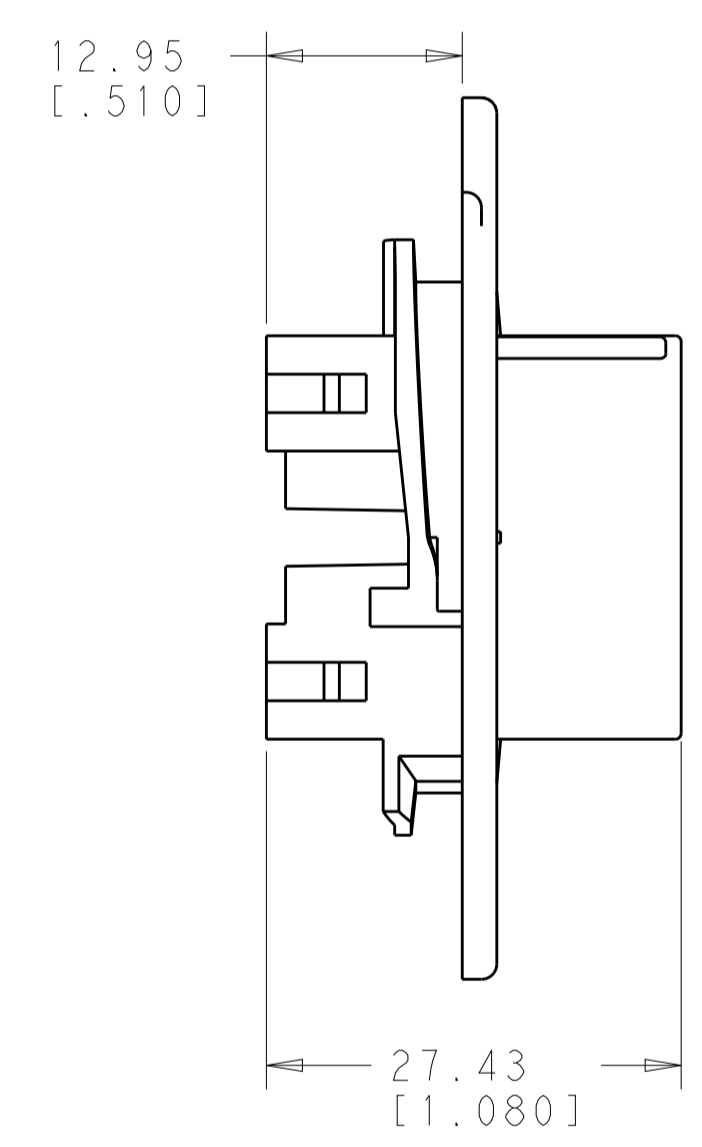
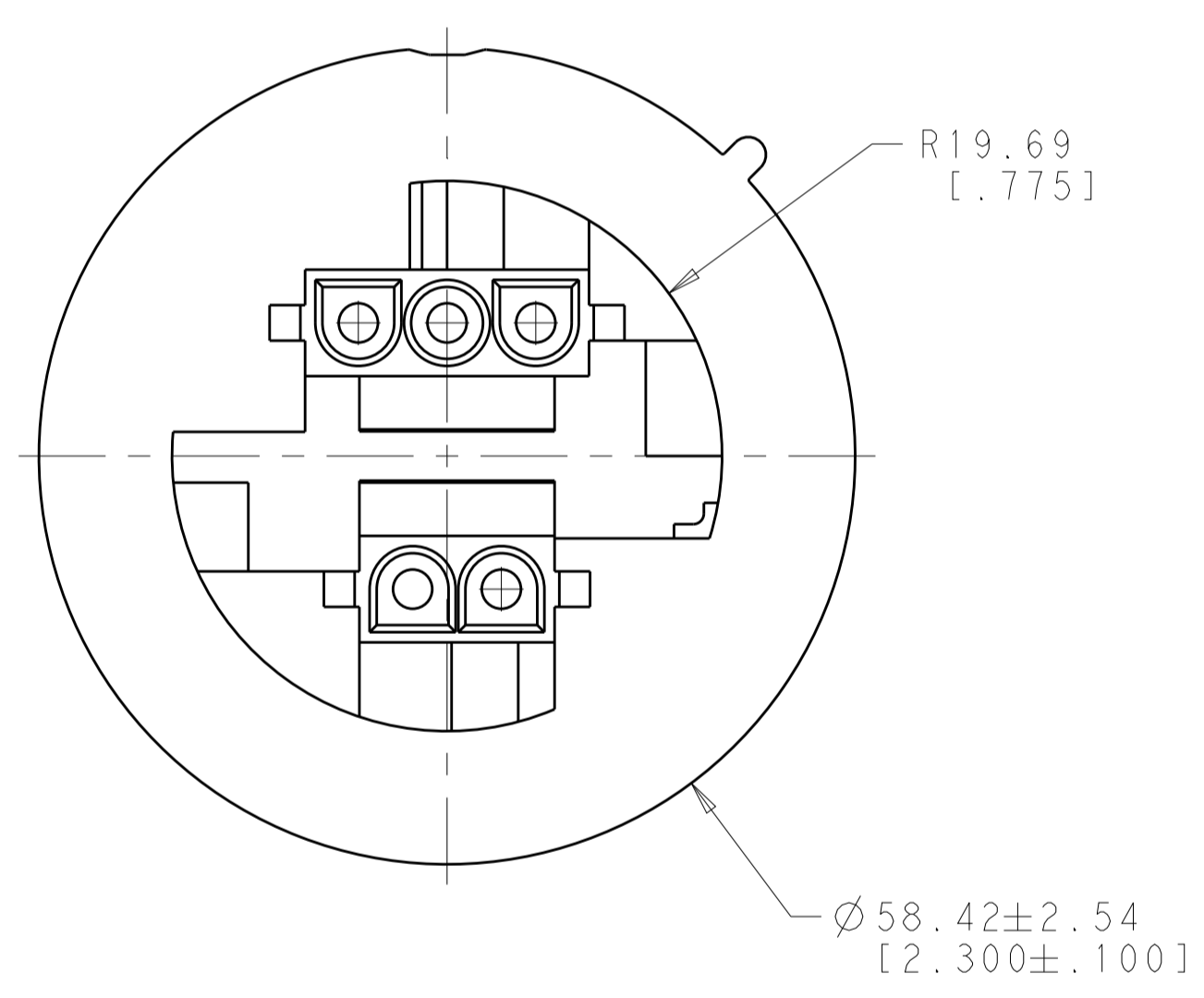
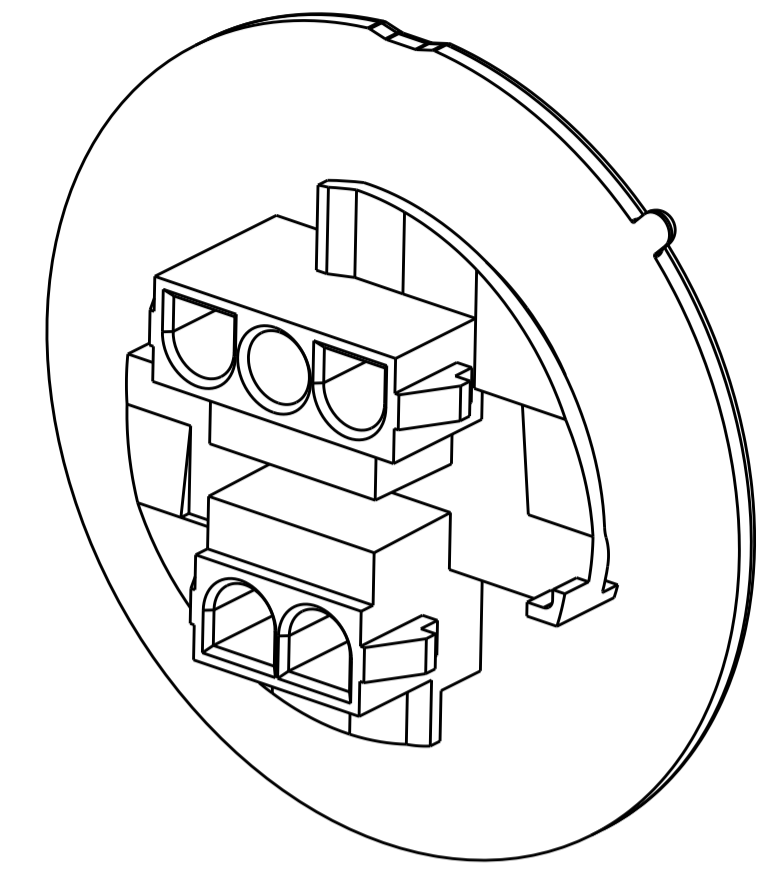


REVISIONS				
P.	LTH	DESCRIPTION	DATE	APVD
A		RELEASED PER ECO-20-001613	04FEB2020	BKW SF



RECOMMENDED PANEL CUTOUT Δ



- 1 MATERIAL: PA66, NYLON UL-V2
- 2 MATES WITH APPROPRIATE 2 POSITION AND 3 POSITION UNIVERSAL MATE-N-LOK PLUG HOUSINGS.
- Δ 3 RECOMMENDED PANEL THICKNESS 1.78-2.67[.070-.105]
- 4 PANEL MUST BE PUNCHED SO THAT THE HOUSING ENTERS THE PANEL IN THE SAME DIRECTION AS THE PUNCH.
- 5 DIMENSIONS SHOWN REPRESENT PRODUCT IN DRY, AS MOLDED, CONDITION. ADDITIONAL 2% GROWTH DUE TO SUBSEQUENT MOISTURE ABSORPTION MAY OCCUR AND SHOULD BE ACCOUNTED FOR.

YELLOW	2359624-2
BLACK	2359624-1
COLOR	PART NO.

THIS DRAWING IS A CONTROLLED DOCUMENT.		DWN: RODNEY SMITH 17 JUL 2019	TE Connectivity	
DIMENSIONS: IN		CHK: STANRICH FERNANDES 17 JUL 2019		
TOLERANCES UNLESS OTHERWISE SPECIFIED:		APVD: STANRICH FERNANDES 17 JUL 2019	NAME: CAP, 2 AND 3 CIRCUIT UNIVERSAL MATE-N-LOK, SPECIAL	
0 PLC	±	PRODUCT SPEC	-	
1 PLC	±0.51 [.020]	APPLICATION SPEC	-	
2 PLC	±0.51 [.020]	SIZE	A1	
3 PLC	±	SCALE	2:1	
4 PLC	±	WEIGHT	-	
ANGLES	±	CAGE CODE	C=2359624	
FINISH	-	DRAWING NO	-	
MATERIAL: NYLON, V2	-	CUSTOMER DRAWING	SHEET 1 OF 1 REV A	