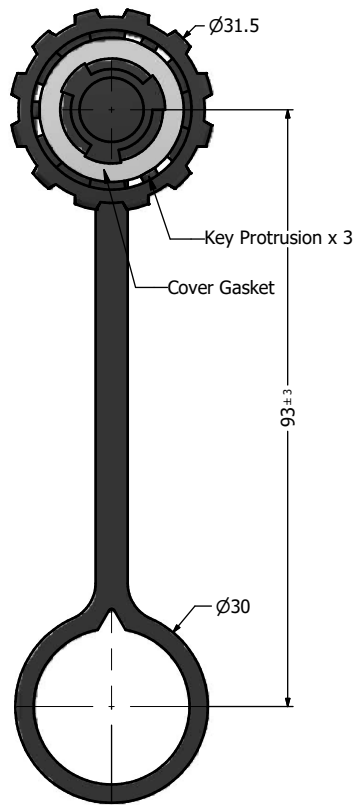
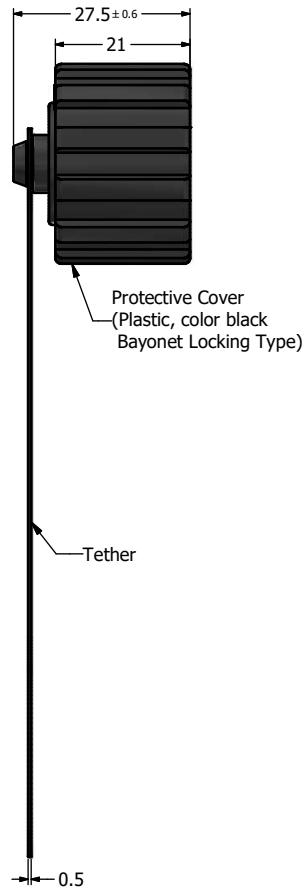


Ø31.5



93±.3

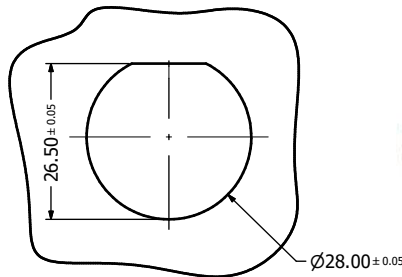
Ø30



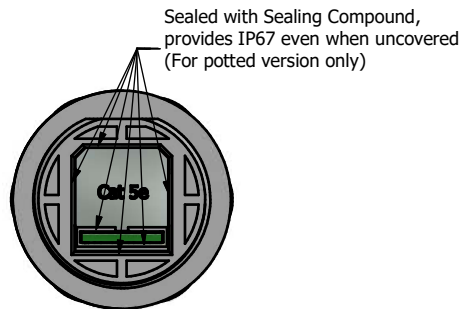
Protective Cover
(Plastic, color black
Bayonet Locking Type)

Tether

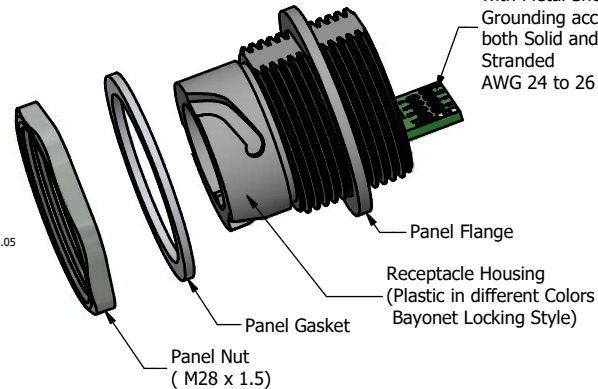
0.5



Recommended Panel Cutout



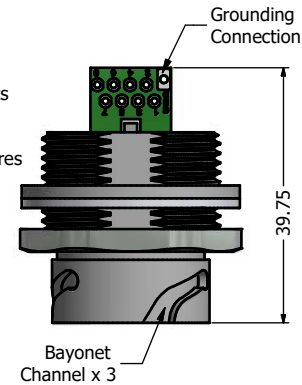
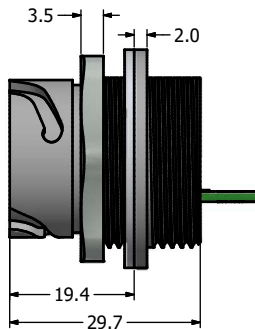
Sealed with Sealing Compound,
provides IP67 even when uncovered
(For potted version only)



Shielded Cat.5e
RJ45 PCB Jack
with Metal Shell
Grounding accepts
both Solid and
Stranded
AWG 24 to 26 Wires

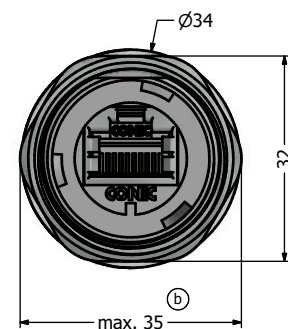
Receptacle Housing
(Plastic in different Colors
Bayonet Locking Style)

Panel Nut
(M28 x 1.5)



Grounding
Connection

39.75



Notes:

- Electrical Specifications:
 - Meets EIA/TIA-568-B.2 Cat.5e Specification
 - Contact Resistance: 20mOhm max.
 - Insulation Resistance: 500MOhm min. @ 100 VDC
 - Current Rating: 1.2A max. at 25°C
 - Working Voltage: 100 VDC
 - DWV: 1000 VDC/60s Contact to Contact, 1500 VDC/60s Contact to Metal Shell
 - Operating Temperature: -40°C to +85°C
- Material and Finish:
 - Receptacle Housing & Protective Cover: Polyester (Color: See Part Number Table); UL94 V-0
 - Panel Nut: Brass, Finish: Nickel Plated
 - Panel Gasket: Silicon, Color: White
 - Cover Gasket: Silicon, Color: White
 - Tether: Polycarbonate, Color: Black
 - Cat.5e RJ45 PCB Jack Metal Shell: Copper Alloy, Nickel Plated
 - Cat.5e RJ45 PCB Jack Plastic Housing: Glass filled PBT UL94 V-0, Color: Black
 - Cat.5e RJ45 PCB Jack Contacts: Phosphor Bronze, Finish: 50u" Gold min. over Nickel
- Connector can be front or rear mounted to a maximum panel thickness of 3.2mm.
- IP67 rated when covered or fully mated with the appropriate mating connector
- Recommended Mounting Panel Nut torque is 20 to 25 lb-inch

Description	Colored Plastic Receptacle Housing with Shielded Cat.5e RJ45 PCB Jack with Grounding Hole and the Black Plastic Protective Cover Assembly					
Plastic Receptacle Housing Color	Black	Blue	Green	Yellow	Red	White
Unpotted Version Part Number	17-110754	17-110764	17-110774	17-110784	17-110794	17-110804
Potted Version Part Number	17-110814	17-110824	17-110834	17-110844	17-110854	17-110864

RoHS compliant

THIS DRAWING MAY NOT BE COPIED OR REPRODUCED IN ANY MANNER WITHOUT THE WRITTEN PERMISSION OF CONEC CORPORATION. OWNERSHIP AND COPYRIGHT OF CONEC CORPORATION.

DO NOT ALTER CAD DRAWING BY HAND

Customer: _____

Name: _____ Title: _____ Approval Date: _____

Tolerance: Unless otherwise specified
 0 PLC ±0.50
 1 PLC ±0.38
 2 PLC ±0.25
 3 PLC ±0.10
 ANGLES ±.3°

Scale: _____ Dim. in mm

Autodesk Inventor

Material: See Notes

2012 Date Name
 Draw. Nov. 19 Vincent Ke
 Appd. Nov. 19 J. Chaudry
 Norm
 D-old

Receptacle + Cover Assembly Kit with Colored Plastic Receptacle Housing + Shielded Cat. 5e RJ45 PCB Jack Version-II

Drawing No.: 17K1A373 DIN A3
 Part No.: SEE PART NUMBER TABLE Sheet 1/1

1 x b A21-04.26 03.11.2021 Bub

CONEC®

Rev. Changes Date Name