

DND32A-M006

LENGTH
M001 = .1 METERS
M010 = 1.0 METERS
M100 = 10 METERS

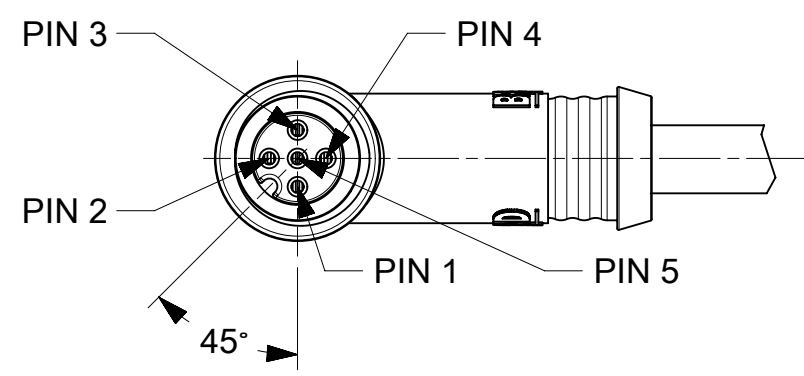
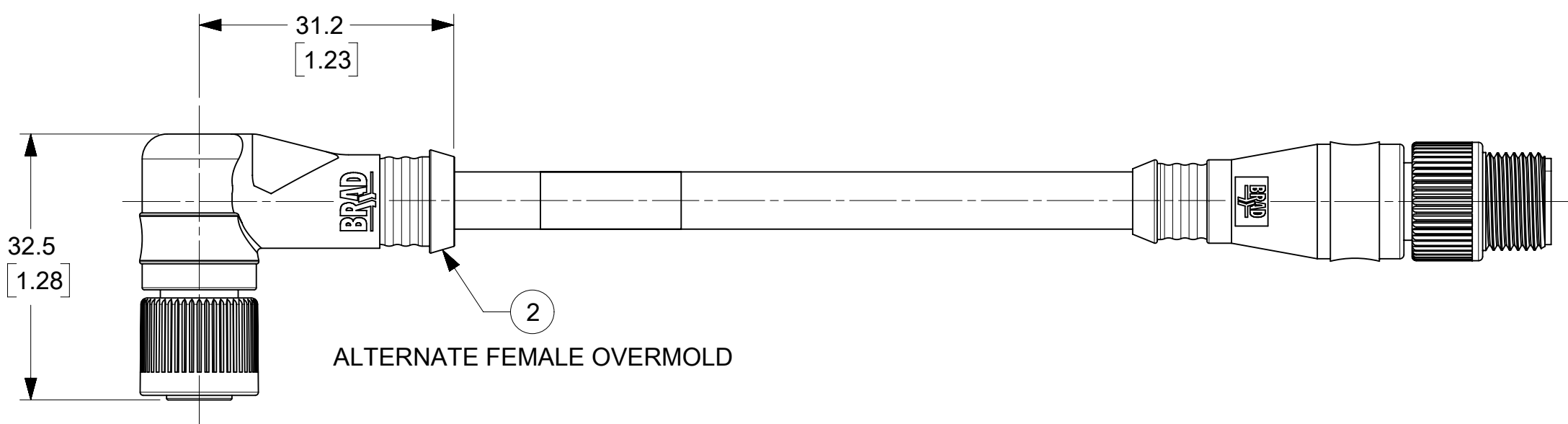
CABLE LENGTH TOLERANCES

<.3M [1FT]:	+19mm-0 [+.75in-0]
.3 - .9M [1 - 3FT]:	+44.5mm-0 [+1.75in-0]
.9 - 1.8M [3 - 6FT]:	+55.6mm-0 [+2.19in-0]
1.8 - 3.7M [6 - 12FT]:	+88.9mm-0 [+3.50in-0]
3.7 - 7.3M [12 - 24FT]:	+165.1mm-0 [+6.50in-0]
7.3-14.6M [24 - 48FT]:	+317.5mm-0 [+12.50in-0]
14.6 - 30.5M [48-100FT]:	+622.3mm-0 [+24.50in-0]
OVER 30M [100FT]	+2% OF FINISHED LENGTH

PART NUMBER LEGEND

FINISHED LENGTH

MOLEX PN	ENGINEERING NO	LENGTH M [FT]
1300280003	DND32A-M006	0.6 [1.97]
1300280080	DND32A-M002	0.2 [.66]
1300280081	DND32A-M003	0.3 [.98]
1300280082	DND32A-M004	0.4 [1.31]
1300280083	DND32A-M005	0.5 [1.64]
1300280084	DND32A-M007	0.7 [2.30]
1300280085	DND32A-M010	1.0 [3.28]
1300280086	DND32A-M015	1.5 [4.92]
1300280088	DND32A-M025	2.5 [8.20]
1300280089	DND32A-M030	3.0 [9.84]
1300280091	DND32A-M050	5.0 [16.4]



ITEM	DESCRIPTION	MATERIAL	FINISH/COLOR
10	WRAP LABEL	VINYL	BLACK/YELLOW
9	O-RING	FPM (VITON)	RED
8	COUPLING NUT FEMALE M12	E-COAT	BLACK
7	CONTACT FEMALE	Cu ALLOY	GOLD PLATED
6	INSERT M12 5P FEMALE	NYLON	BLACK
5	COUPLING NUT MALE M12	E-COAT	BLACK
4	CONTACT PIN	Cu ALLOY	GOLD PLATED
3	INSERT M12 5P MALE AC KEY	NYLON	BLACK
2	OVERMOLDS	TPC	GRAY
1	DEV-NET DROP CABLE 4x0.34mm ² (22AWG)	PVC JACKET	GRAY

- NOTES:**
1. MATERIAL: AS NOTED
 2. FINISH: AS NOTED
 3. ELECTRICAL:
VOLTAGE; 250V AC/DC
CURRENT: 4A
 4. TEMP RATING: -20°TO +80°C
 5. PROTECTION: IP67 (WHEN MATED)
 6. COUPLING THREAD: M12 X 1.0
 7. UL LISTED FILE: E152210
CANADIAN LISTED FILE: LR6837
 8. ALL DIMS ARE FOR REFERENCE UNLESS TOLERANCED OR NOTED OTHERWISE

FUNCTIONAL SYMBOLS FA = 0 FC = 0 FP = 0 DIVISIONAL SYMBOLS	THIS DRAWING CONTAINS INFORMATION THAT IS PROPRIETARY TO MOLEX ELECTRONIC TECHNOLOGIES, LLC AND SHOULD NOT BE USED WITHOUT WRITTEN PERMISSION		CURRENT REV DESC: REMOVED LEADING PIN NOTE	
	DIMENSION UNITS: MM/INCH SCALE: 1.5:1		GENERAL TOLERANCES (UNLESS SPECIFIED) 4 PLACES ± ± 3 PLACES ± ± 2 PLACES ± ± 1 PLACE ± ± 0 PLACES ± ± ANGULAR TOL ± °	
	EC NO: 700917 DRWN: RSTONE CHK'D: MZIELINSKI APPR: BWOODMAN		2022/03/25 2022/03/25 2022/03/29	
	THIRD ANGLE PROJECTION DRAFT WHERE APPLICABLE MUST REMAIN WITHIN DIMENSIONS		DRAWING: C-SIZE SERIES: 130028	
DOCUMENT STATUS: P1 RELEASE DATE: 2022/03/29 14:49:33		molex MICRO-CHANGE EXT CORD DEV-NET DROP MALE90/FEMALE STR, 22AWG PRODUCT CUSTOMER DRAWING DOCUMENT NUMBER: 1300280080 DOC TYPE: PSD DOC PART: 000 REVISION: B2		
MATERIAL NUMBER: SEE P/N CHART CUSTOMER: GENERAL MARKET SHEET NUMBER: 1 OF 1				

6

5

4

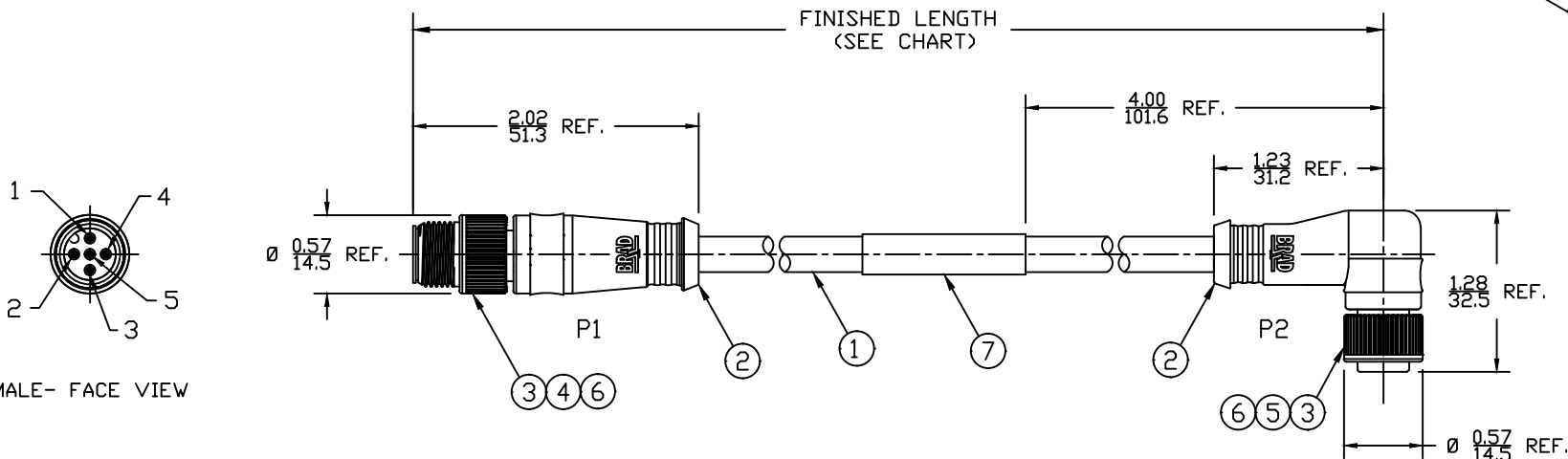
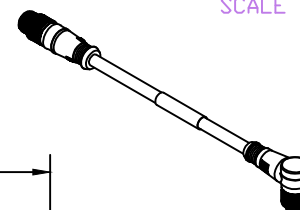
3

2

1

PART NUMBER	ENGINEERING NO.	LENGTH ± TOLERANCE
1300280083	DND32A-M005	1' 8" +1.75"/-0" [0.5M +44.5/-0 mm]
1300280084	DND32A-M007	2' 4" +1.75"/-0" [0.7M +44.5/-0 mm]
1300280085	DND32A-M010	3' 3" +2.19"/-0" [1M +55.6/-0 mm]
1300280089	DND32A-M030	9' 10" +3.50"/-0" [3M +88.9/-0 mm]
1300280091	DND32A-M050	16' 5" +6.50"/-0" [5M +165.1/-0 mm]

(B1)

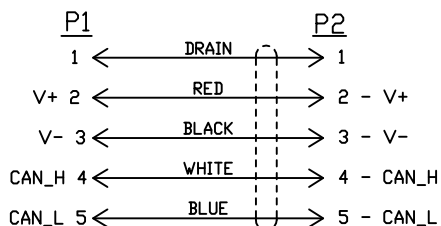
AUX VIEW
SCALE 1:4

MALE- FACE VIEW

FEMALE- FACE VIEW

NOTES:

- MATERIAL: SEE TABLE
- FINISHES: SEE TABLE
- ELECTRICAL DATA:
MAX. VOLTAGE: 250V AC/DC
MAX. CURRENT 4A
- ENVIRONMENTAL:
PROTECTION IP67 (WHEN MATED)
TEMPERATURE RANGE: -20°C TO 80°C
- WRAP LABEL IS MARKED WITH P/N, DATE CODE,
VOLTAGE & AMPERAGE.
- DIMS SHOWN ARE FOR REFERENCE
UNLESS NOTED OTHERWISE



SCHEMATIC

DND32A-M005

cable type
DEV-NET DROP
GRAY PVC

cable length
005----.5 Meters
010----1 Meter
100----10 Meter

TABLE

ITEM	DESCRIPTION	MATERIAL	FINISH
7	LABEL	VINYL	BLACK/YELLOW
6	INSERT	NYLON	BLACK
5	SOCKET CONTACT	COPPER ALLOY	GOLD PLATED
4	PIN CONTACT	COPPER ALLOY	GOLD PLATED
3	M12 COUPLING NUT	ZINC DIE-CAST	BLACK
2	OVERMOLD	PVC	GRAY
1	DEVICENET DROP CABLE, 2P, SHLD	PVC JACKET	GRAY

CORRECTED PINS FOR: 5 & 7M
EC NO: IFC2017-0356
DRWN: RSTONE 10/3/16
CHKD: M ZIELIN 2016/10/04
APPR: TWOLDEGE

QUALITY SYMBOLS
 = 0
 = 0

GENERAL TOLERANCES
(UNLESS SPECIFIED)

	mm	INCH
4 PLACES	±---	±---
3 PLACES	±---	±---
2 PLACES	±---	±---
1 PLACE	±---	±---

ANGULAR ±---°

DRAFT WHERE APPLICABLE
MUST REMAIN
WITHIN DIMENSIONS

DIMENSION STYLE
IN/MM

DRAWN BY DATE

VOU 2009/07/30

CHECKED BY DATE

BWOODMAN 2009/07/31

APPROVED BY DATE

MATERIAL NO.

SEE CHART

SIZE
ASCALE
---DESIGN UNITS
INCHTHIRD ANGLE
PROJECTION

TITLE
M12 DEVICENET CABLE ASSY
5P MALE/FEM ST/90
#22/4 SHLD PVC -THIN STD

MOLEX INCORPORATED

DOCUMENT NO. SD-130028-002 SHEET NO. 1 OF 1

THIS DRAWING CONTAINS INFORMATION THAT IS PROPRIETARY TO MOLEX INCORPORATED AND SHOULD NOT BE USED WITHOUT WRITTEN PERMISSION

6

5

4

3

2

1