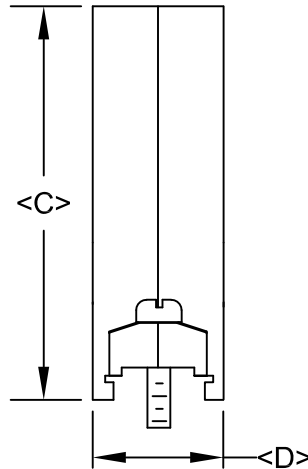
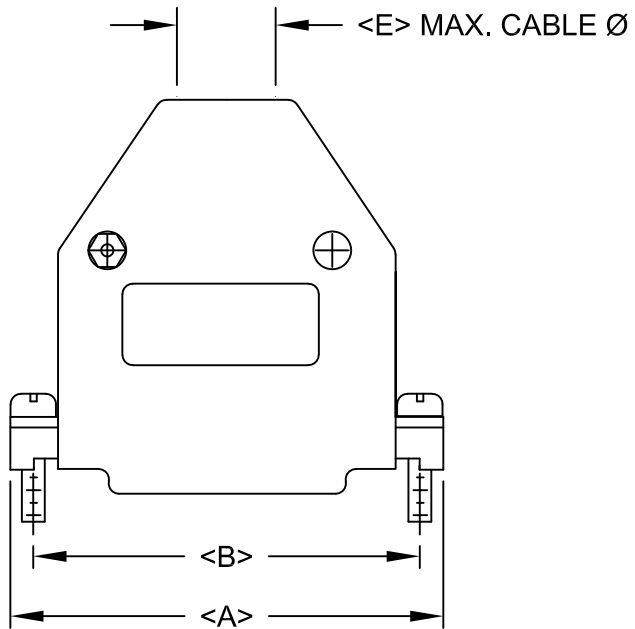


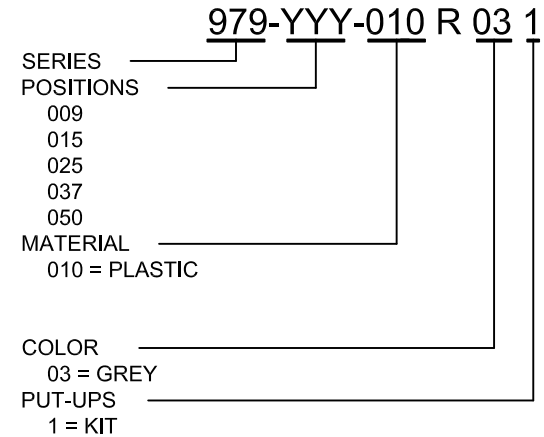
DESCRIPTION: 979 SERIES D-SUB BACKSHELL - PLASTIC

BACK SHELL KIT INCLUDES:

- 2 - BACK SHELL HALVES
- 2 - 4-40 MATING SCREWS
- 2 - SADDLE WASHERS
- 2 - HOUSING SCREWS
- 2 - HOUSING NUTS
- 1 - GROMMET TREE - VARIOUS SIZES
(NON-CONDUCTIVE GROMMETS)



DIMENSIONS(in/mm)					
SIZE	A ± 0.015	B ± 0.010	C ± 0.015	D ± 0.015	E
9	1.232	0.984	1.913	0.656	0.354
	31.28	24.99	48.60	16.66	9.00
15	1.555	1.312	1.895	0.669	0.374
	39.50	33.32	48.13	17.00	9.50
25	2.100	1.852	1.764	0.655	0.397
	53.34	47.04	44.80	16.64	10.00
37	2.748	2.500	1.900	0.655	0.512
	69.80	63.50	48.26	16.64	13.00
50	2.697	2.406	1.900	0.770	0.512
	68.50	61.11	48.26	19.56	13.00



MATERIAL: ABS PLASTIC, UL 94HB
OPERATING TEMPERATURE: -45°C TO +120°C

UNITS = inch [mm]

DO NOT SCALE FROM DRAWING



THESE DRAWINGS AND SPECIFICATIONS ARE THE PROPERTY OF NorComp AND SHALL NOT BE REPRODUCED, COPIED OR USED AS THE BASIS FOR THE MANUFACTURE OF SALE OF APPARATUS WITHOUT WRITTEN PERMISSION.

DRAWN: P. JENKINS		DATE: 07/28/2005	
SCALE: NTS	SHEET 1	OF 1	REV 6
DWG NO. 979-YYY-010R031			

RoHS COMPLIANT

NorComp