

Wire Wound Type Common Mode Filter

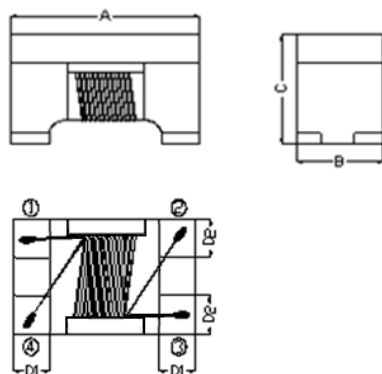
ACM3225F2SV-SERIES

1. Features

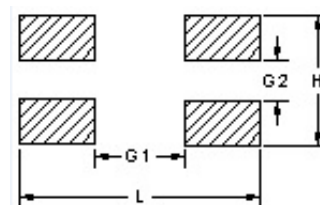
1. High common mode impedance at high frequency effects excellent noise suppression performance.
2. ACM3225F2SF series realizes small size and low profile 3.2x2.5x2.2 mm
3. 100% Lead(Pb) & Halogen-Free and RoHS compliant.
4. High reliability -Reliability tests comply with AEC-Q200
5. Operating temperature -40~+85°C (Including self - temperature rise)



2. Dimension



Recommended PC Board Pattern



Series	A(mm)	B(mm)	C(mm)	D1(mm)	D2(mm)	L(mm)	H(mm)	G1(mm)	G2(mm)
3225F2SF	3.2±0.2	2.5±0.2	2.2±0.2	0.65±0.1	1.0±0.1	4.1	3.5	2.3	0.8

Units: mm

3. Part Numbering



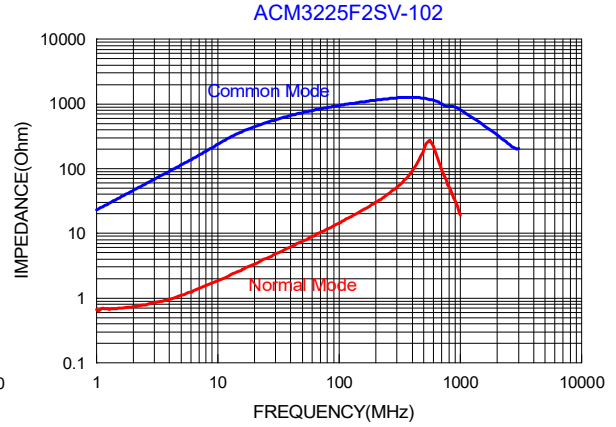
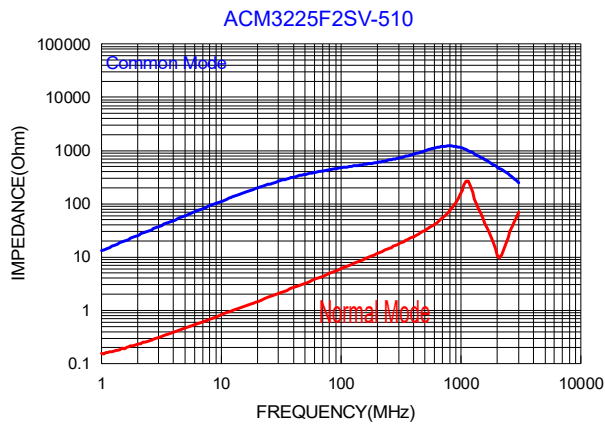
- A: Series
 B: Dimension
 C: Material Ferrite Core
 D: Number of Lines 2=2 lines
 E: Type S=Shielded , N=Unshielded
 F: Category Code V=Vehicle
 G: Impedance 501=500Ω
 H: Packaging T=Taping and Reel
 I: Rated Current 20=2000mA

4. Specification

TAI-TECH Part Number	Common mode Impedance (Ω)	Test Frequency (MHz)	DC Resistance (Ω) max.	Rated Current (mA)max.	Rated Volt. (Vdc)max.	IR (MΩ) min.
ACM3225F2SV-501T20	500±25%	100	0.10	2000	60	10
ACM3225F2SV-102T15	1000±25%	100	0.10	1500	60	10

Note:

1. Test Frequency : Impedance:100MHz
2. Testing Instrument : L:Agilent-4291A,Agilent-16197A DCR: Agilent-4338B
3. Operating temperature -40°C ~ +85°C
4. All test data is referenced to 25°C ambient.



5. Schematic Diagram

