

VIEW ON MATING SIDE

∞	B	B	B	B	B	B	B	B	B	B	B	B	B	B	B
◀	A	A	A	A	A	A	A	A	A	A	A	A	A	A	A

∞ ∞

A = 16 CONTACTS L-2,8
 B = 16 CONTACTS L-2,8

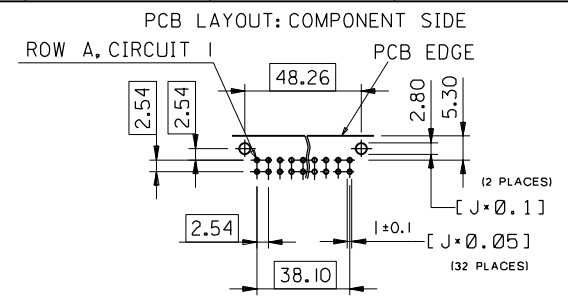
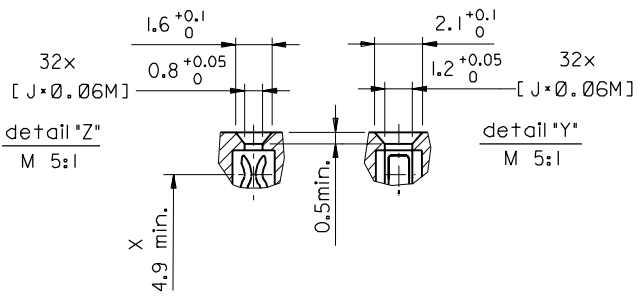
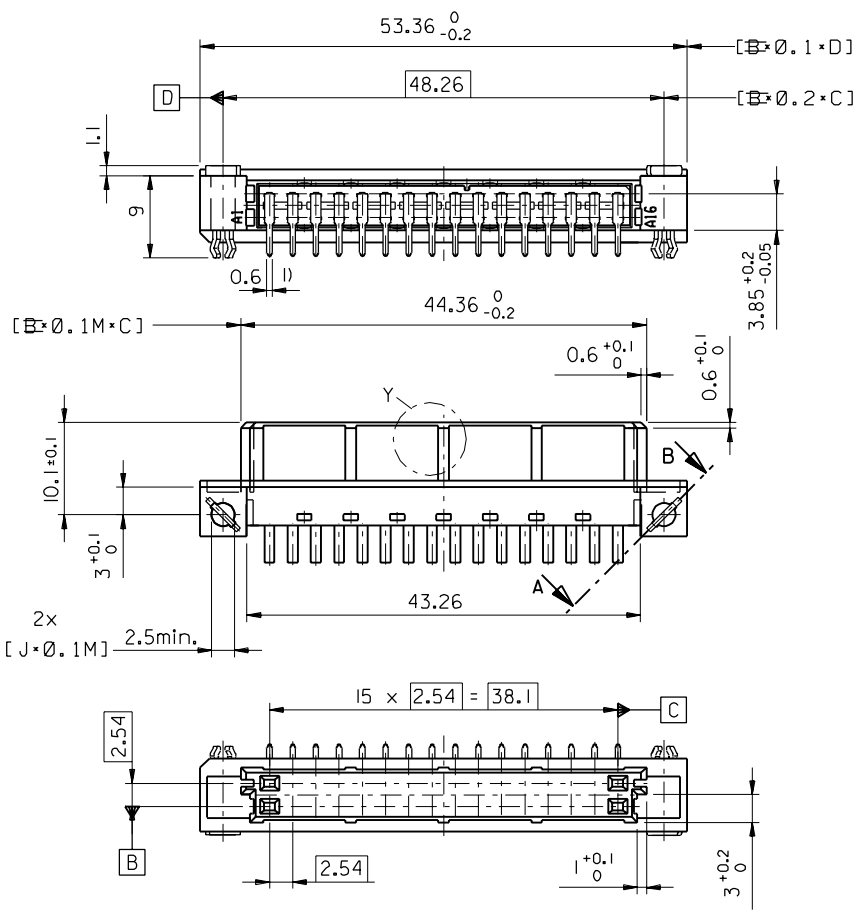
S = 32 TOTAL NUMBER OF CONTACTS

Marking	Standard
Performance level	G2/0 = Contact area perform. level2 / Termination tin
Flux proof	no
Fixing clip	yes
Dimensions	SDA-85050-0002 sht.1
Technical Data	PS-85052-0001

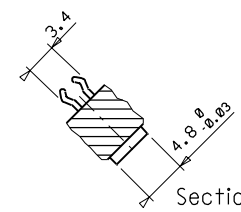
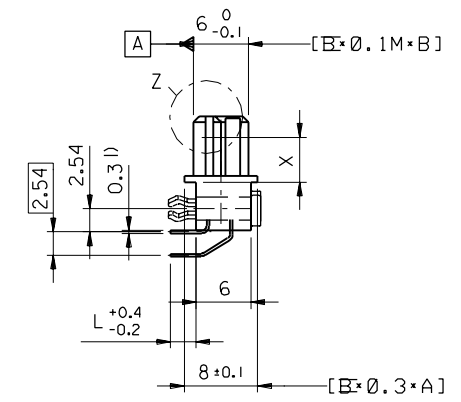
B	G2/0	b1-l6	
A	G2/0	a1-l6	
Contact symbol	Perform. level	Contact position number	

ECN MC1998-2620	first release	97-10-17 KN	REVISIONS		FOR PREVIOUS REVISIONS SEE MRI LIST	
			Δ	LTR		
UNLESS OTHERWISE SPECIFIED TOLERANCES: ANGULAR ± 2°		DRWG BY	KN	SIGN	CAD/CAM PROJECT NAME	
3 PLACE ± .	±	CHK'D BY	Ca	SIGN	s8505000	
2 PLACE ± .	±	APP'D BY	JB	SIGN	s71	
1 PLACE ± .	±	DRAFT WHERE APPLICABLE MUST REMAIN WITHIN DIMENSIONS		THIS DRAWING CONTAINS INFORMATION THAT IS PROPRIETARY TO MOLEX INC. & SHOULD NOT BE USED WITHOUT WRITTEN PERMISSION		
DESIGN DIMENSION		<input type="checkbox"/> MM	<input type="checkbox"/> IN.	TITLE		
EQUIVALENT DIMENSION		<input type="checkbox"/> MM	<input type="checkbox"/> IN.	32 pos. female connector		
IF TWO DIMENSIONS ARE SHOWN, THE UPPER IS THE DESIGN DIMENSION, LOWER IS SECONDARY			acc. DIN 41612 style A/2			
			contacts arrangement			
MOLEX®				SHEET NO.	DATE	
MOLEX EUROPE				1 OF 1	97/10/17	
PART NO.			DWG NO.			
85050-0074			SD-85050-0074			A
REVISE ONLY ON CAD SYSTEM			SH.	REV.		

PART NO.
DWG. NO.



1) tails to fit in PC-board layout



FIRST ANGLE PROJECTION		DRWG BY KN	SIGN
UNLESS OTHERWISE SPECIFIED TOLERANCES: ANGULAR ±2°		CHK'D BY Ca	SIGN
INCH METRIC		APP'D BY JB	SIGN
3 PLACE ±	±	SCALE	2:1
2 PLACE ±	±		
1 PLACE ±	±		
DRAFT WHERE APPLICABLE MUST REMAIN WITHIN DIMENSIONS			
DESIGN DIMENSION	<input checked="" type="checkbox"/> MM		
	<input type="checkbox"/> IN.		
EQUIVALENT DIMENSION	<input type="checkbox"/> MM		
	<input type="checkbox"/> IN.		
IF TWO DIMENSIONS ARE SHOWN THE UPPER IS THE DESIGN DIMENSION, LOWER IS SECONDARY			

REVISE ONLY ON CAD SYSTEM		SH.	REV.
CAD/CAM PROJECT NAME 85050000 821		THIS DRAWING CONTAINS INFORMATION THAT IS PROPRIETARY TO MOLEX INC. & SHOULD NOT BE USED WITHOUT WRITTEN PERMISSION	
TITLE 32 pos. female connector DIN 41612 style Q/2+ clip Dimensions			
MOLEX MOLEX EUROPE		SHEET NO. 1 OF 1	DATE 96/04/25
PART NO.	DWG NO. SDA-85050-0002	SIZE B	

ECN MG1898-2586	REVISIONS
L +0.4-0.2, Lockbild 97-09-17 KN	
BI	LTR