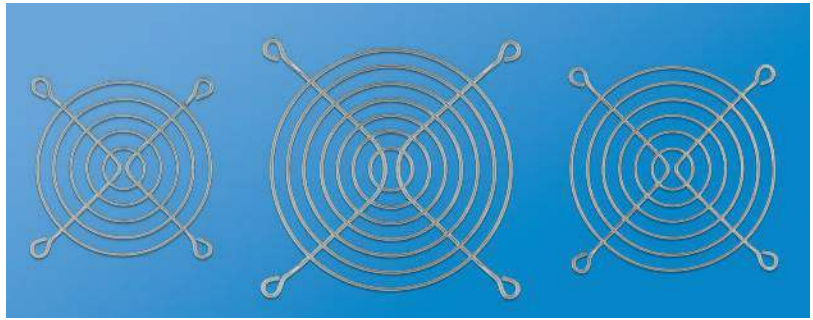


METAL GUARDS

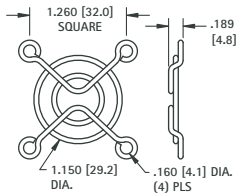
Made of high quality steel wire which combines strength with superior forming. The units offer clean, strong butt welds with minimum flash and have consistent guard diameters to enhance maximum air-flow and venting.

- Available for most popular size fans
- Protects fingers as well as fan blades
- Same mounting hole pattern as standard fans
- Chrome Plate offers a high luster finish



MATERIAL: Steel, Nickel Chrome Plate

FITS 1.50" (40mm) FANS

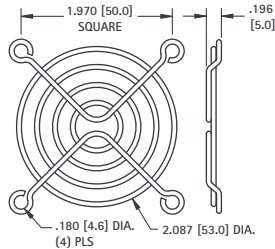


CONSTRUCTION

Rings: .063 (1.60) wire diameter
Ribs: .063 (1.60) wire diameter

CAT. NO. 8447

FITS 2.50" (60mm) FANS

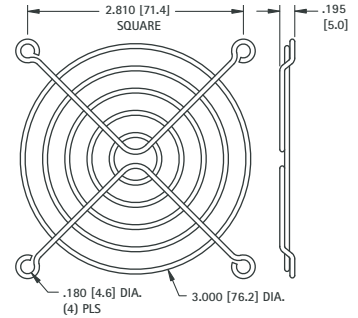


CONSTRUCTION

Rings: .063 (1.60) wire diameter
Ribs: .063 (1.60) wire diameter

CAT. NO. 8449

FITS 3.12" (80mm) FANS

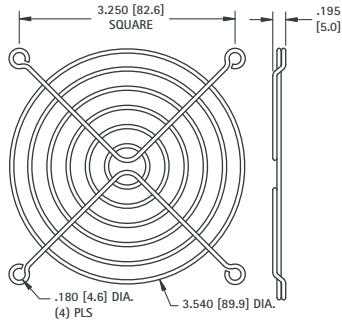


CONSTRUCTION

Rings: .063 (1.60) wire diameter
Ribs: .063 (1.60) wire diameter

CAT. NO. 8450

FITS 3.62" (92mm) FANS

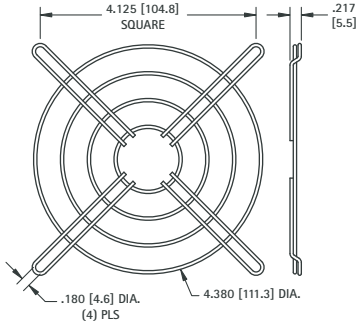


CONSTRUCTION

Rings: .063 (1.60) wire diameter
Ribs: .063 (1.60) wire diameter

CAT. NO. 8451

FITS 4.50" (120mm) FANS

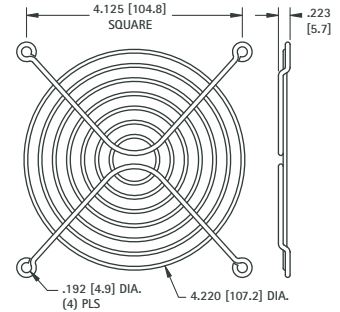


CONSTRUCTION

Rings: .063 (1.60) wire diameter
Ribs: .063 (1.60) wire diameter

CAT. NO. 8448

FITS 4.50" (120mm) FANS

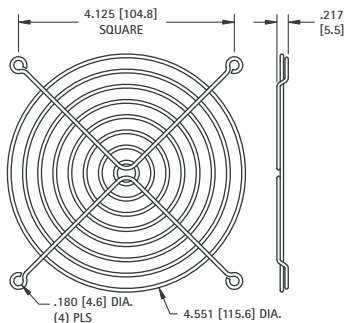


CONSTRUCTION

Rings: .071 (1.80) wire diameter
Ribs: .091 (2.31) wire diameter

CAT. NO. 8452

FITS 4.50" (120mm) FANS

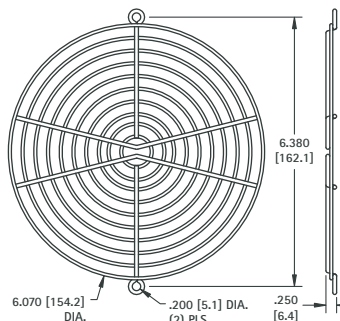


CONSTRUCTION

Rings: .071 (1.80) wire diameter
Ribs: .071 (1.80) wire diameter

CAT. NO. 8453

FITS 6.00" (150mm) FANS

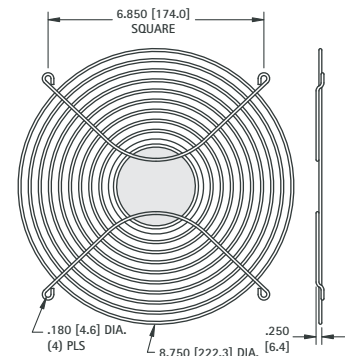


CONSTRUCTION

Rings: .071 (1.80) wire diameter
Ribs: .091 (2.31) wire diameter

CAT. NO. 8455

FITS 10.00" (250mm) FANS



CONSTRUCTION

Rings: .091 (2.31) wire diameter
Ribs: .091 (2.31) wire diameter

CAT. NO. 8457