

PV10 SERIES ANTI-VANDAL SWITCH

ANTI-VANDAL SWITCHES
 DETECTOR SWITCHES
 DIP SWITCHES
 KEYLOCK SWITCHES
 NAVIGATION SWITCHES
 PUSHBUTTON SWITCHES
 ROCKER SWITCHES
 ROTARY SWITCHES
 SLIDE SWITCHES
 SNAP ACTION SWITCHES
 TACTILE SWITCHES
 TOGGLE SWITCHES
 CAP OPTIONS



APPLICATIONS / MARKETS



RoHS

SPECIFICATIONS

Electrical Rating: 2A, 48VDC
Mechanical Life: 1,000,000 Cycles
Electrical Life: 50,000 Cycles
Contact Resistance: 50mΩ Max.
Insulation Resistance: 1000 MΩ Min. @ 500VDC
Dielectric Strength: 2,000VAC
Operating/Storage Temperature: -20°C to 55°C
Travel: 2.8mm
Moisture Protection: IP65
Contact Arrangement: SPDT or DPDT
Actuation Force: 6.5N
Panel Thickness: 1-5mm
Hex Nut Torque: 0.6Nm

FEATURES & BENEFITS

- 40mm diameter panel cutout
- Dot or ring illumination options available
- Multiple switch functions available
- Multiple illumination voltage options
- IP65 rated
- SPDT or DPDT
- Soldered wire leads (300mm long) optional

PART NUMBER CONFIGURATOR

Series	Actuator Options	Terminal Options	Function Options	Rating Options	Body Finish Options	Actuator Finish Options	Lens Style Options	LED Color Options	Illumination Voltage Options
<input type="text" value="PV10"/>	<input type="text" value="F - Flat"/>	<input type="text" value="2 - Solder Wire Leads 300mm"/>	<input type="text" value="Y - 1P OFF-(ON), 1P ON-(OFF)*"/>	<input type="text" value="0 - 2A, 48VDC"/>	<input type="text" value="S - Stainless Steel"/>	<input type="text" value="S - Stainless Steel"/>	<input type="text" value="NONE - Non-Illuminated"/>	<input type="text" value="NONE - Non-Illuminated"/>	<input type="text" value="NONE - Non-Illuminated"/>
			T - 1P OFF-ON, 1P ON-OFF				2 - Dot Illumination	0 - White	1 - Base Voltage [‡]
			V - 2P OFF-(ON), 2P ON-(OFF)*				3 - Ring Illumination	1 - Red	3 - 6V
			U - 2P OFF-ON, 2P ON-OFF				4 - Blue	2 - Orange	4 - 12V
							5 - Yellow	3 - Green	5 - 24V
							F - Red/Orange	4 - Blue	6 - 125V
							G - Red/Green	5 - Yellow	7 - 250V
							H - Red/Blue	F - Red/Orange	
							J - Red/Yellow	G - Red/Green	
							K - Orange/Green	H - Red/Blue	
							L - Orange/Blue	J - Red/Yellow	
							M - Orange/Yellow	K - Orange/Green	

NOTES:
 * () denotes function is momentary
[‡] Base voltage for LED colors red, yellow, and orange is 1.8V @ 20mA
[‡] Base voltage for LED colors blue, green and white is 2.8V @ 20mA

Specifications subject to change without notice 5.15.2019



E-SWITCH®

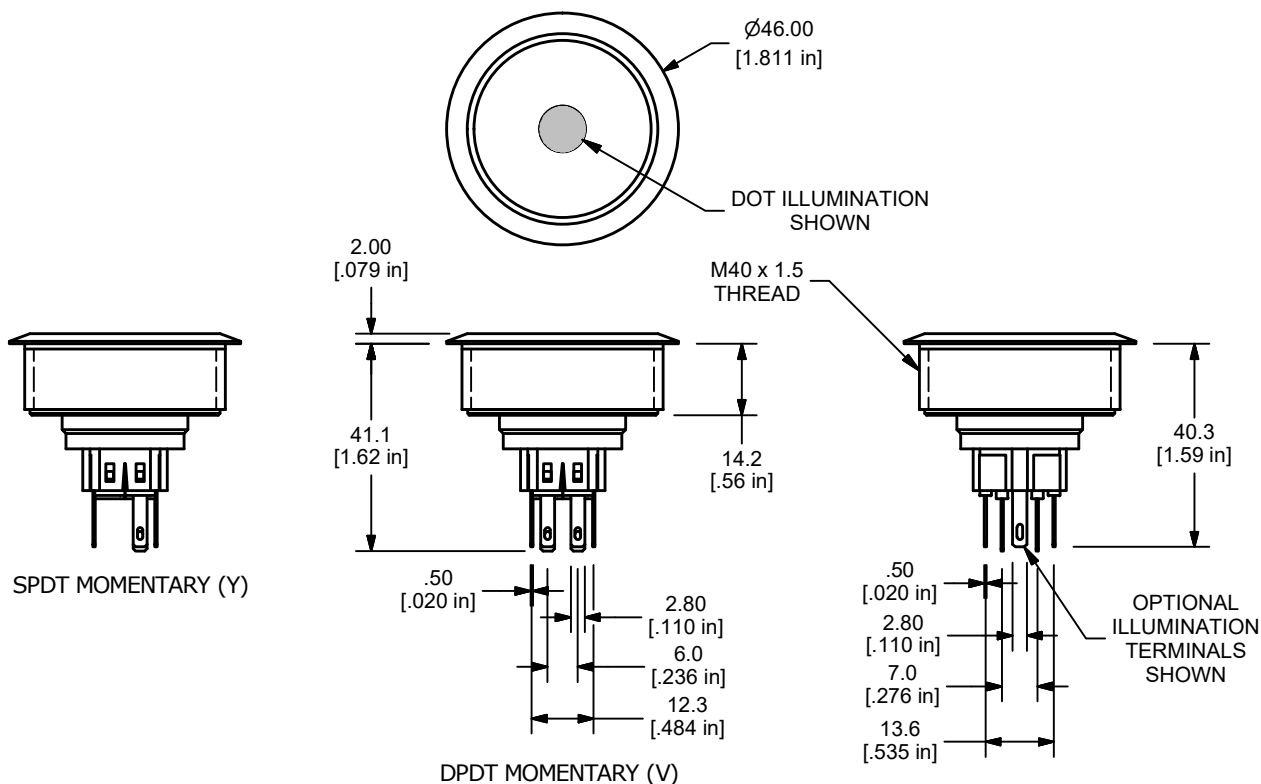
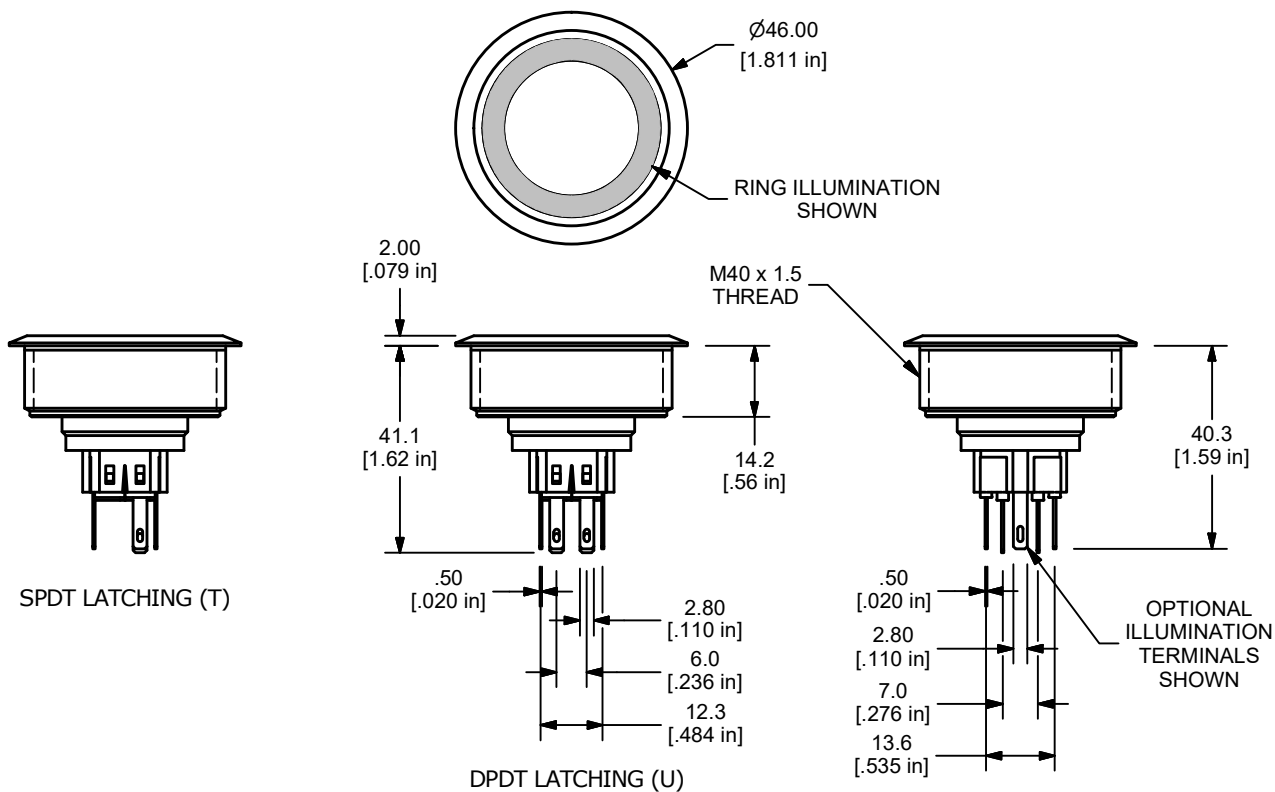
www.e-switch.com

800.867.2717

1

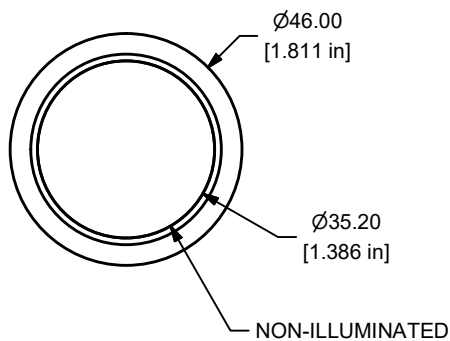
PV10 SERIES ANTI-VANDAL SWITCH

BODY DIMENSIONS

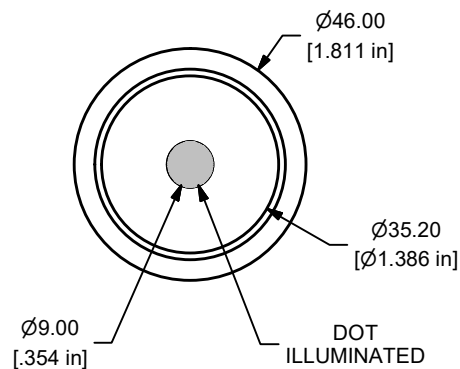


PV10 SERIES ANTI-VANDAL SWITCH

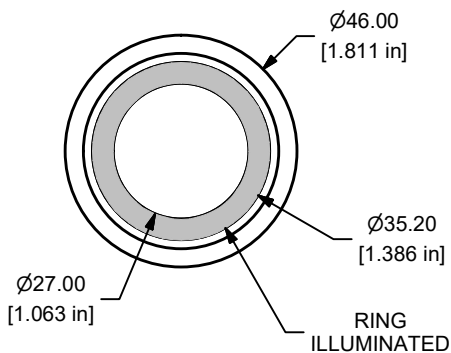
ACTUATOR OPTIONS



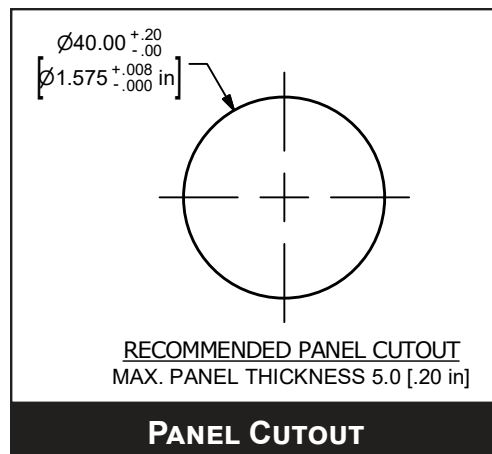
NON-ILLUMINATED



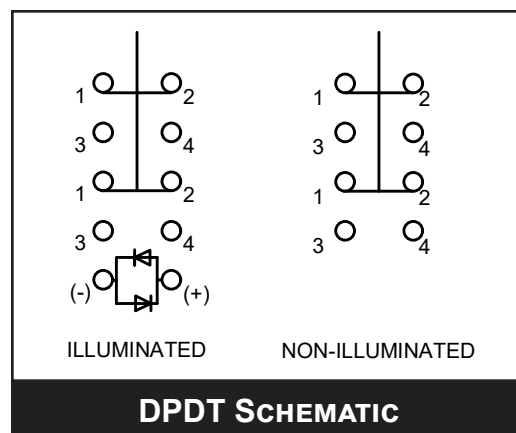
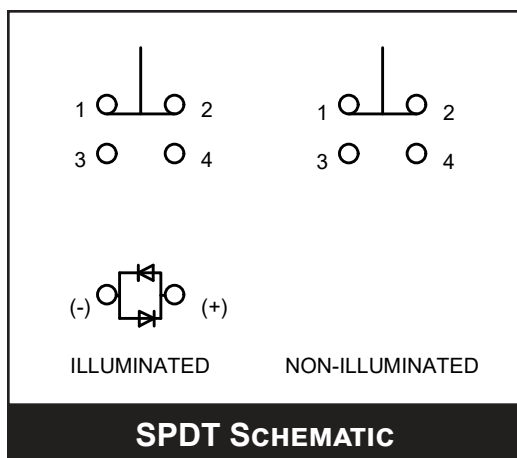
DOT ILLUMINATED



RING ILLUMINATED



SCHEMATICS



PV10 SERIES ANTI-VANDAL SWITCH

STANDARD LED WIRE LEAD

SWITCH	WIRE	LENGTH
SW1-1a	WIRE, 24AWG AWM UL1015, WHITE	300.0 [11.8 in]
SW1-2a	WIRE, 24AWG AWM UL1015, WHITE	300.0 [11.8 in]
SW1-3a	WIRE, 24AWG AWM UL1015, BLUE	300.0 [11.8 in]
SW1-4a	WIRE, 24AWG AWM UL1015, BLUE	300.0 [11.8 in]
SW1-1b	WIRE, 24AWG AWM UL1015, WHITE	300.0 [11.8 in]
SW1-2b	WIRE, 24AWG AWM UL1015, WHITE	300.0 [11.8 in]
SW1-3b	WIRE, 24AWG AWM UL1015, BLUE	300.0 [11.8 in]
SW1-4b	WIRE, 24AWG AWM UL1015, BLUE	300.0 [11.8 in]
SW1- (+)	WIRE, 24AWG AWM UL1015, RED	300.0 [11.8 in]
SW1- (-)	WIRE, 24AWG AWM UL1015, BLACK	300.0 [11.8 in]

** WIRE LEADS PROVIDED ARE DEPENDANT ON THE FUNCTION AND/OR ILLUMINATION SELECTED **

