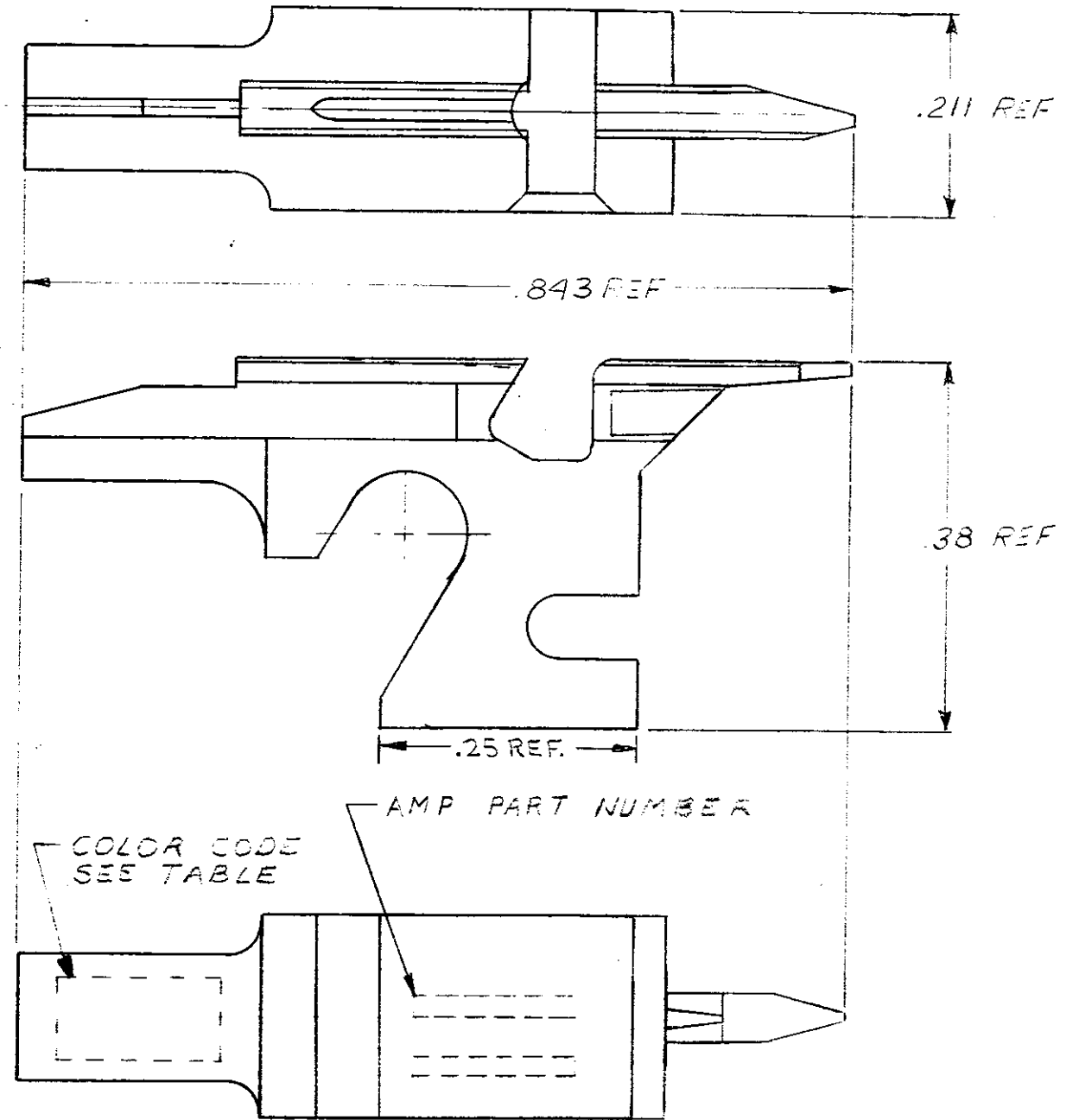


PART NUMBER	FIRST USED	AWG	INS. RANGE		COLOR CODE
			MAX	MIN	
69551	69525-1	28	.045	.026	BLACK
69551-1	69525-1	26	.045	.026	BROWN
69551-2	69525-1	24	.045	.026	RED
69551-4	69525-1	22	.045	.026	ORANGE
69551-5	69525-1	28	.045	.026	BLACK
69551-6	69525-1	26	.045	.026	BROWN
69551-7	69525-1	30	.045	.015	WHITE
69551-8	69525-1	22	.045	.026	ORANGE
69551-9	69525-1	24	.045	.026	RED
1-69551-0	69525-1	30	.045	.015	WHITE
1-69551-1	69525-1	24	.045	.026	RED
1-69551-2	69525-1	24	.045	.026	RED
1-69551-3	69525-1	28	.065	.055	BLACK



REVISION RECORD				NUMBER	DESCRIPTION	DWG SIZE	NUMBER	NAME	REMARKS	ITEM NO
LTR	REVISION RECORD	DR	CHK							
C	REVISED	BS		1967						
B	REVISED	FM		1967						
A	REVISED	PL		1966						

©1966 BY AMP INCORPORATED. ALL RIGHTS RESERVED. AMP PRODUCTS COVERED BY PATENTS AND/OR PATENTS PENDING.		<b>CUSTOMER COPY</b> <b>REFERENCE ONLY</b>	
DR	A. J. Kuyuk 8-31-66	MATERIAL AND FINISH	STEEL
CHK	J. J. J. 8-31-66		ELECTROLESS NICKEL
DE		WIRE - RANGE - INSULATION	SEE TABLE, SEE TABLE
		TOLERANCE EXCEPT AS NOTED	± .015 ± 1° 0'
		SCALE	1:1
		LOC	M B
		NO	69551
		REV	C
		NAME	
		MANDREL	

DIMENSIONS IN INCHES. DO NOT SCALE PRINT

PRINT JUST